



### Overview

The 18 GHz N-Type connector series is an expansion of the popular N-Type product line and offers all the same features and benefits with an extended frequency range. These connectors are designed to offer excellent low PIM performance in a reliable medium-sized package. The durable construction makes them ideal for rugged, outdoor applications which require faster data transmission rates.

18 GHz N-Type connectors feature the familiar threaded coupling mechanism for vibration resistance and low VSWR and insertion loss.

### Features and Benefits

- Extended frequency range through 18 GHz
- Excellent low PIM Performance
- High power handling
- Ruggedized construction
- Threaded coupling mechanism ideal for vibration resistance

### Applications

- Microwave
- Wireless Infrastructure
- Instrumentation
- Radar Systems
- Surge Protection
- Power Amplifiers
- Military
- Industrial

### Ordering Information

#### Straight 18 GHz N-Type for RG-402 and 0.141" Semi-Rigid Cable

| Part Number     | Configuration                 |
|-----------------|-------------------------------|
| <b>082-6671</b> | Straight 18 GHz Bulkhead Jack |
| <b>082-6672</b> | Straight 18 GHz Jack          |
| <b>082-6673</b> | Straight 18 GHz Plug          |

#### Straight 18 GHz N-Type for RG-405 and 0.086" Semi-Rigid Cable

| Part Number     | Configuration                        |
|-----------------|--------------------------------------|
| <b>082-6684</b> | Straight 18 GHz Solder Bulkhead Jack |
| <b>082-6685</b> | Straight 18 GHz Solder Jack          |
| <b>082-6686</b> | Straight 18 GHz Solder Plug          |

#### Panel Mount 18 GHz N-Type

| Part Number            | Configuration   |
|------------------------|---|
| <b>082-6712-433358</b> | Panel Mount Four-Hole Round Post Jack<br>0.433 Post, 0.358 PTFE |
| <b>082-6712-705590</b> | Panel Mount Four-Hole Round Post Jack<br>0.705 Post, 0.590 PTFE |
| <b>082-6713-433358</b> | Panel Mount Four-Hole Round Post Plug<br>0.433 Post, 0.358 PTFE |
| <b>082-6713-705590</b> | Panel Mount Four-Hole Round Post Plug<br>0.705 Post, 0.590 PTFE |

# Amphenol® RF

## Technical Specifications

### Electrical

|                                 |                  |        |
|---------------------------------|------------------|--------|
| Impedance                       | 50 Ω             |        |
| Frequency Range                 | DC -18 GHz       |        |
| VSWR(Return Loss)               | 1.2 Max @ 18 GHz |        |
| Dielectric Withstanding Voltage | 1500 VRMSMin     |        |
| PIM                             | -166 dBc @ 2X20W |        |
| Insulation Resistance           | 5000 mΩ Min      |        |
| Contact Resistance              | Center Contact   | 0.2 mΩ |
|                                 | Outer Contact    | 0.2 mΩ |

### Environmental

|                   |                 |
|-------------------|-----------------|
| Temperature Range | -65°C to +165°C |
|-------------------|-----------------|

### Mechanical

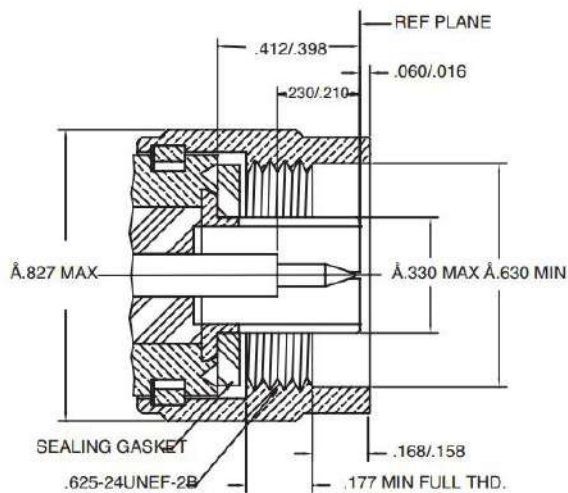
|            |                 |
|------------|-----------------|
| Mating     | Threaded        |
| Durability | 500 Cycles Min. |

### Materials

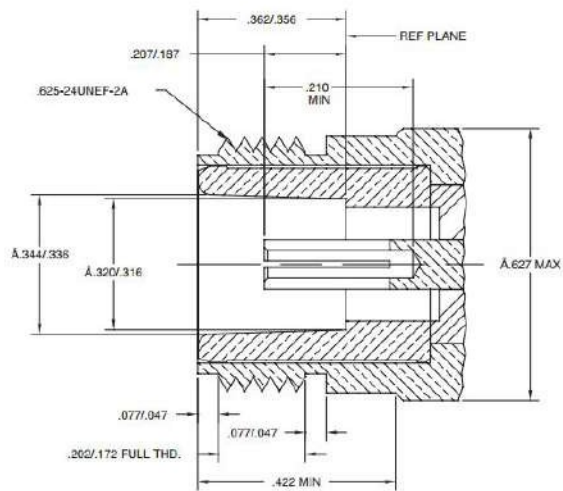
|           |                                  |
|-----------|----------------------------------|
| Body      | Brass, White Bronze Plating      |
| Contact   | Beryllium Copper, Silver Plating |
| Insulator | PTFE                             |

## Interface Dimensions

### Plug



### Jack



AmphenolRF

Four Old Newtown Road  
Danbury, CT06810

For more information visit: [www.amphenolrf.com](http://www.amphenolrf.com) or  
call 800.627.7100