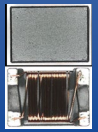


Power Common Mode Chokes



ACMP-3225 Series

Request Samples



Check Inventory



3.2 x 2.5 x 2.2 mm
RoHS/RoHS II Compliant
MSL Level = 1

Features

- Commercial Grade
- PPAP ready and supported
- Excellent impedance characteristics
- Rated current up to 1.0A
- Compact size

Applications

- DC power line common mode noise suppression.
- Switch Mode Power Supplies and regulators
- Variable Frequency Drives
- AC/DC power rectifiers

Electrical Specifications

Part Number	Impedance (Ω) @100MHz	DCR (m Ω)	Rated Current (A)	Rated Voltage (Vdc)	Withstand Voltage (Vdc)	Insulation Resistance (M Ω)
	Typ. $\pm 25\%$	Max	Max	Max	Max	Min
ACMP-3225-900	90	50	1.0	50	125	10
ACMP-3225-601	600	200	1.0	50	125	10
ACMP-3225-102	1000	300	0.4	50	125	10

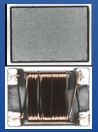
Rated Current is based on an Irms temperature rise of 40°C

Operating Temperature: -40°C to +125°C (Including self-heating)

Storage (in original packaging): <40°C, <60% RH

ACMP-3225 Series is RoHS Compliant and Pb free

Power Common Mode Chokes



ACMP-3225 Series

Request Samples

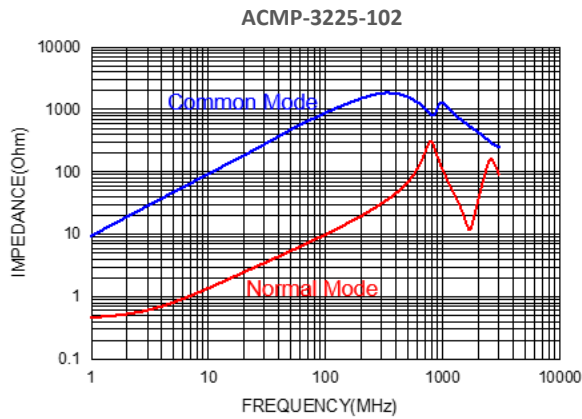
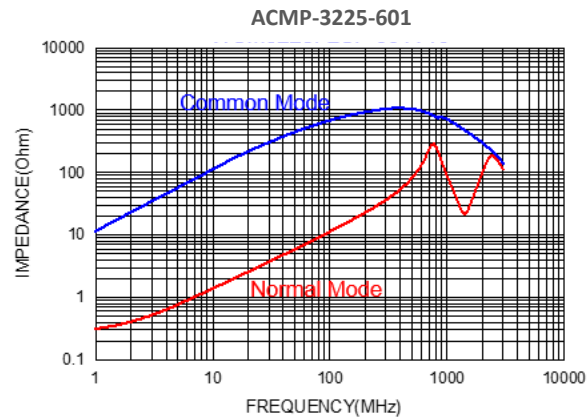
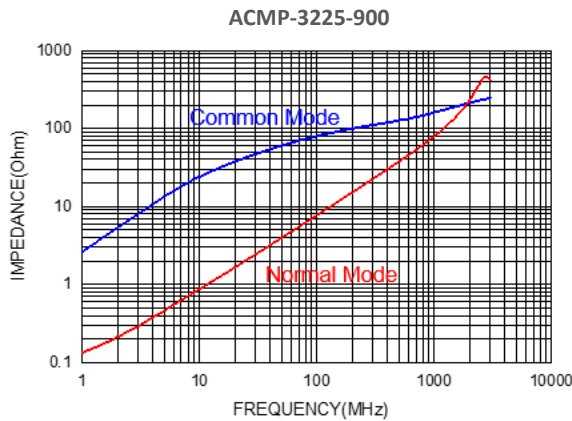


Check Inventory

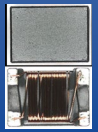


3.2 x 2.5 x 2.2 mm
RoHS/RoHS II Compliant
MSL Level = 1

Electrical Specifications (Cont'd)



Power Common Mode Chokes



ACMP-3225 Series

Request Samples

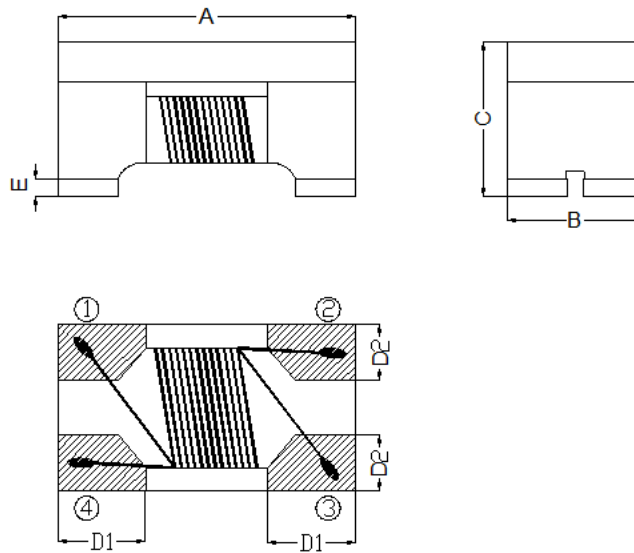


Check Inventory

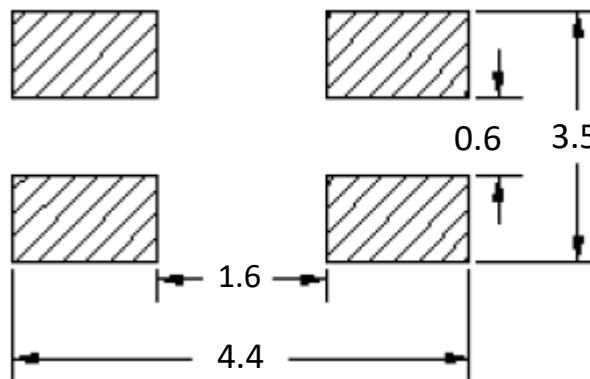


3.2 x 2.5 x 2.2 mm
RoHS/RoHS II Compliant
 MSL Level = 1

Mechanical Specifications



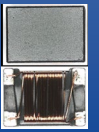
A	B	C	D1	D2	E
3.2 ± 0.2	2.5 ± 0.2	2.2 ± 0.2	0.8 ± 0.1	0.9 ± 0.1	0.15 ± 0.1



Recommended Layout

Dimensions: mm

Power Common Mode Chokes



ACMP-3225 Series

Request Samples

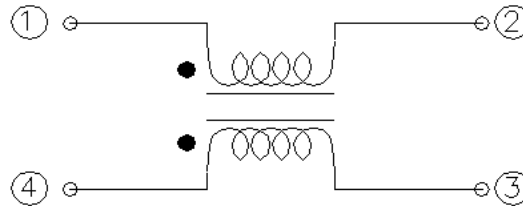


Check Inventory



3.2 x 2.5 x 2.2 mm
RoHS/RoHS II Compliant
 MSL Level = 1

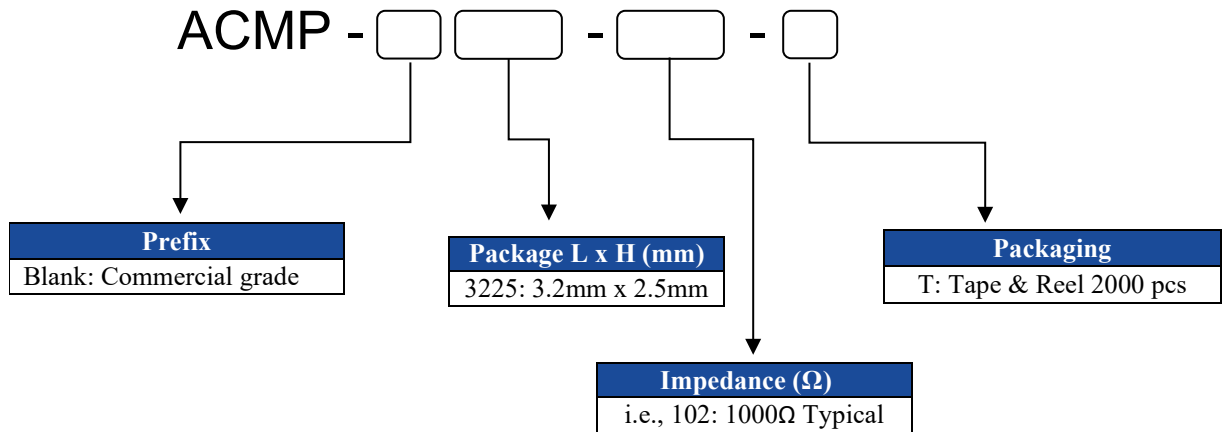
Schematic



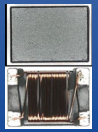
Materials

Description	Specification
Core	Ferrite core
Wire	Enameled copper wire
Terminal	Ag/Ni/Sn

Part Identification



Power Common Mode Chokes



ACMP-3225 Series

Request Samples

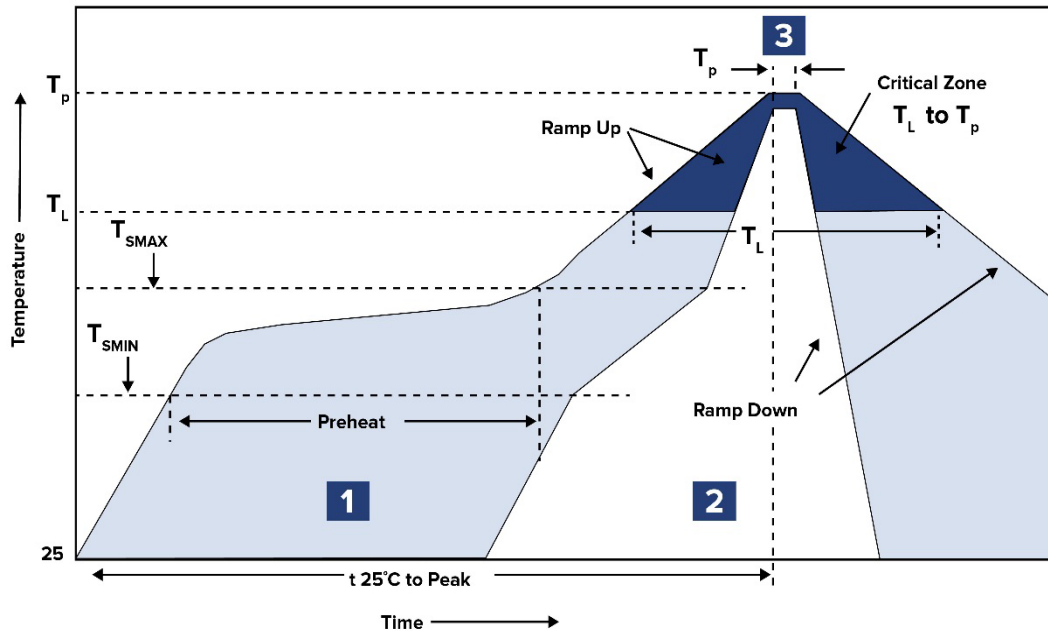


Check Inventory



3.2 x 2.5 x 2.2 mm
RoHS/RoHS II Compliant
MSL Level = 1

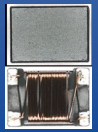
Reflow Profile



Zone	Description	Temperature	Times
1	Preheat	$T_{SMIN} \sim T_{SMAX}$ 150°C ~ 200°C	60 ~ 120 sec.
2	Reflow	T_L 217°C	60 ~ 150 sec.
3	Peak heat	T_P 250°C Max.	< 30 Sec.

3 °C/Sec. Max Ramp up rate

Power Common Mode Chokes



ACMP-3225 Series

Request Samples



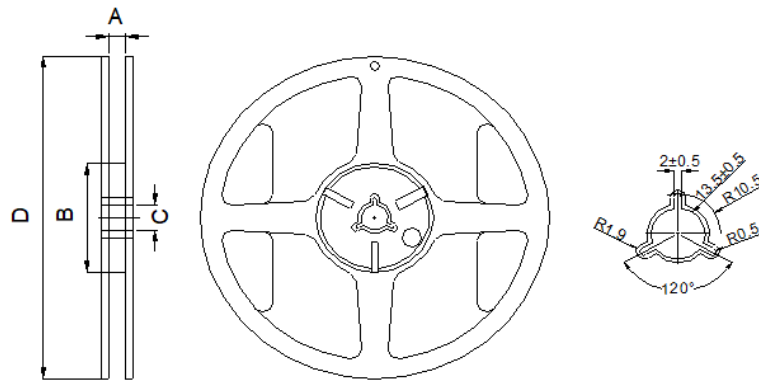
Check Inventory



3.2 x 2.5 x 2.2 mm
RoHS/RoHS II Compliant
MSL Level = 1

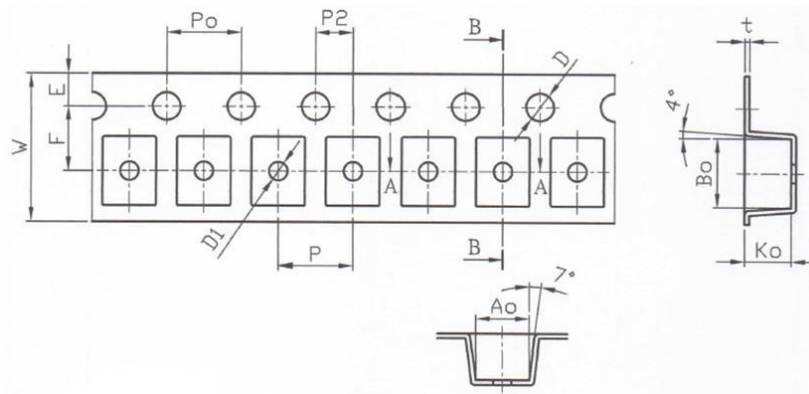
Packing

Tape & Reel: 2000pcs/reel



7"x8mm

A	B	C	D
9.0 ± 0.50	60.0 ± 2.0	13.5 ± 0.50	178 ± 2.0



W	P	P0	P2	D	E	F	A0	B0	K0
8.0 ± 0.10	4.0 ± 0.10	4.0 ± 0.10	2.0 ± 0.10	1.5 ± 0.10	1.75 ± 0.10	3.5 ± 0.10	2.88 ± 0.10	3.72 ± 0.10	2.5 ± 0.10

Dimensions: mm

ATTENTION: Abracon LLC's products are COTS – Commercial-Off-The-Shelf products; suitable for Commercial, Industrial and, where designated, Automotive Applications. Abracon's products are not specifically designed for Military, Aviation, Aerospace, Life-dependent Medical applications or any application requiring high reliability where component failure could result in loss of life and/or property. For applications requiring high reliability and/or presenting an extreme operating environment, written consent and authorization from Abracon LLC is required. Please contact Abracon LLC for more information.



5101 Hidden Creek Ln Spicewood TX 78669
 Phone: 512-371-6159 | Fax: 512-351-8858
 For terms and conditions of sales, please visit:
www.abracon.com

REVISION: IR 06-29-22

ABRACON IS
 ISO9001-2015
 CERTIFIED