

MATERIALS AND FINISHES

BODY ZINC ALLOY
PLATED NICKEL

CENTER CONTACT PHOSPHOR BRONZE
PLATED GOLD

INSULATOR POLYPROPYLENE (94 V-2)

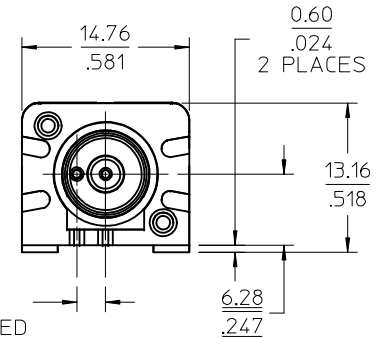
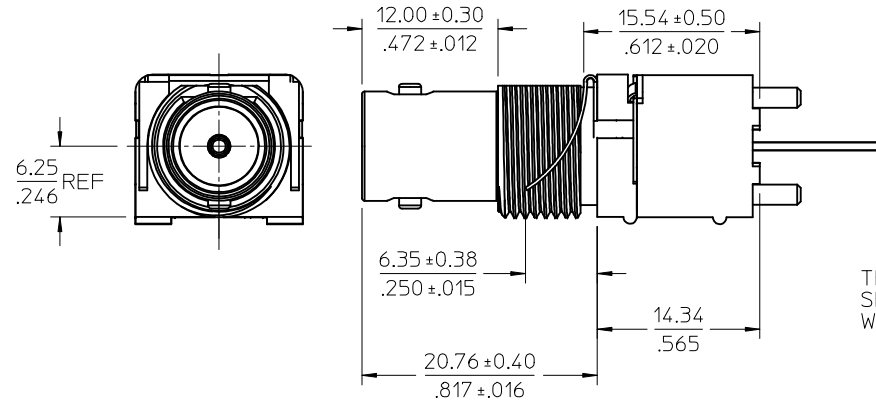
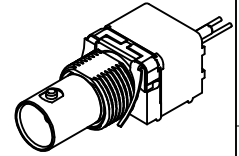
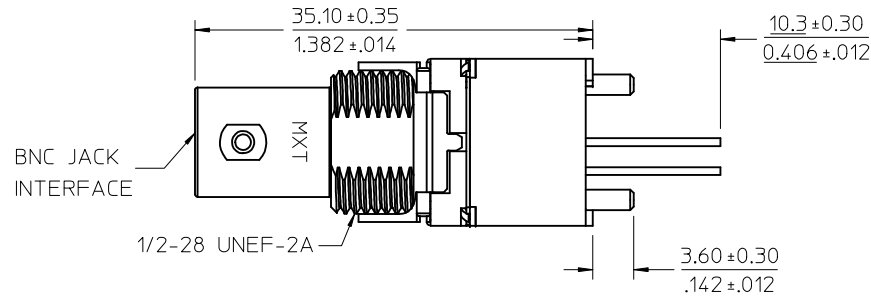
HOUSING VALOX 420-SEO
COLOR BLACK

SOLDER TAIL COPPER OVER STEEL WIRE
PLATED TIN

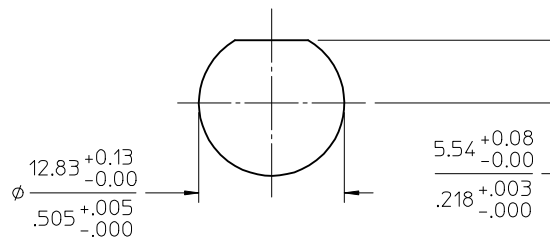
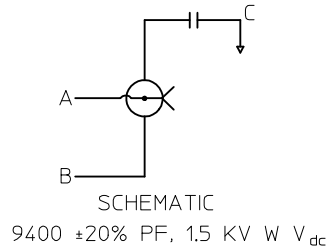
FRONT CLIP PHOSPHOR BRONZE
PLATED NICKEL

CHIP CAPACITOR MULTILAYER CERAMIC

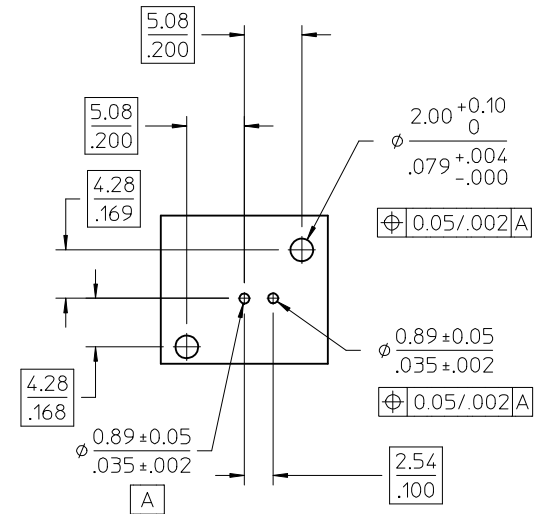
MOUNTING POSTS: BRASS
PLATED TIN



2.54
.100
THIS DIMENSION
SHOULD BE INSPECTED
WIHT GO-NO GO GAGE



RECOMMENDED MOUNTING HOLE
RECOMMENDED MOUNTING TORQUE:
0.56 N-m(5.00 IN-LBS)
PANEL THICKNESS: 5.5 (.217) MAX



RECOMMENDED PCB HOLE

ES-73599-0000	INTERFACE
PS-73598-0010	ELECTRO/MECH PERFORM.
SPECIFICATION	DESCRIPTION

CHG: REDREW IN SD 5.08 WAS 4.28 EC NO: URF-2009-0740 DRW:SSHAH 2009/06/24 CHKD:ROBERTSON 2009/06/24 APPR: JWIENER 2009/06/24 REV: B1	QUALITY SYMBOLS ▽=0 ▽=0	GENERAL TOLERANCES (UNLESS SPECIFIED) <table border="1"> <tr> <th></th> <th>mm</th> <th>INCH</th> </tr> <tr> <td>4 PLACES</td> <td>± .005</td> <td>± .0004</td> </tr> <tr> <td>3 PLACES</td> <td>± .003</td> <td>± .0003</td> </tr> <tr> <td>2 PLACES</td> <td>± .002</td> <td>± .0002</td> </tr> <tr> <td>1 PLACE</td> <td>± .001</td> <td>± .0001</td> </tr> </table> ANGULAR ± 2°		mm	INCH	4 PLACES	± .005	± .0004	3 PLACES	± .003	± .0003	2 PLACES	± .002	± .0002	1 PLACE	± .001	± .0001	DIMENSION STYLE MM/IN	SCALE DESIGN UNITS METRIC	THIRD ANGLE PROJECTION
				mm	INCH															
4 PLACES	± .005	± .0004																		
3 PLACES	± .003	± .0003																		
2 PLACES	± .002	± .0002																		
1 PLACE	± .001	± .0001																		
DRAFT WHERE APPLICABLE MUST REMAIN WITHIN DIMENSIONS	DRAWN BY IRIS DATE 1996/06/26	CHECKED BY JACK DATE 1996/08/15	TITLE BNC JACK, VERTICAL, PCB 75 OHMS, FILTER BNC-J/PCB/BK	MOLEX INCORPORATED	SHEET NO. 1 OF 1															

MATERIAL NO. SEE TABLE
DOCUMENT NO. SD-73101-0071
THIS DRAWING CONTAINS INFORMATION THAT IS PROPRIETARY TO MOLEX INCORPORATED AND SHOULD NOT BE USED WITHOUT WRITTEN PERMISSION