

# SMT COMMON MODE INDUCTORS

Toroid - Ruggedized  
0.5A to 3.6A



- ⊗ Ruggedized header with POGO pins for secure board mounting
- ⊗ Rated voltage 250V<sub>AC</sub>
- ⊗ Low RFI toroid
- ⊗ Moisture Sensitivity Level: 1

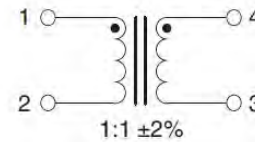
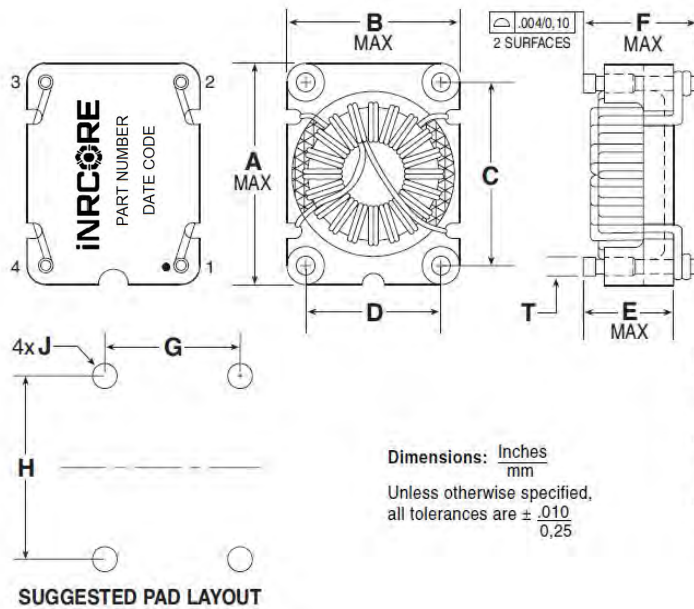
## Electrical Specifications @ 25 °C – Operating Temperature – 55 °C to +130 °C

Part # Number	Inductance @ I <sub>rated</sub> (mH +/- 30%)	I <sub>rated</sub> (A)	DCR (MAX) (mΩ)	SRF (MHz)	Impedance Curve (See below)	Size Code	Weight (Grams)	Quantity in Tube
PL8800	1.0	3.60	50	4	1	POGO 50	7.1	30
PL8801	1.5	1.50	60	2	2	POGO 40	2.5	30
PL8802	3.0	2.50	80	2.2	3	POGO 50	7.1	30
PL8803	10.0	1.00	450	0.5	4	POGO 40	3.0	30

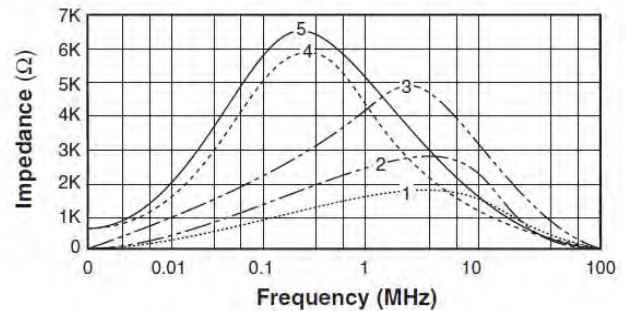
Note: 1. Option Tape & Reel packaging can be ordered by adding a "T" suffix to the part number (i.e. PL8800, becomes PL8800T.) Pulse complies to industry standard tape and reel specification EIA481.

### Mechanicals

### Electrical Schematic



### Impedance Curves



Size	A	B	C	D	E	F	G	H	J	T
POGO 40	.725/18.42	.575/14.61	.600/15.24	.450/11.43	.310/7.87	.380/9.65	.450/11.43	.600/15.24	.082/2.08	.062/1.57
POGO 50	.910/23.11	.700/17.78	.730/18.54	.520/13.21	.400/10.16	.510/12.95	.520/13.21	.730/18.54	.145/3.68	.125/3.18

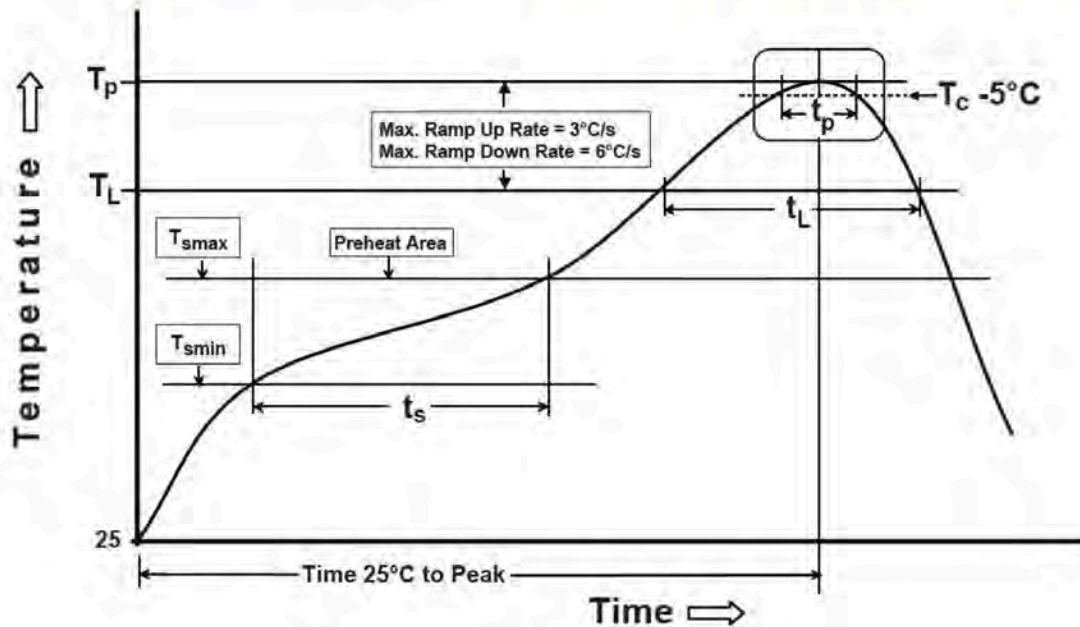


# SMT COMMON MODE INDUCTORS

Toroid - Ruggedized  
0.5A to 3.6A



## Tin/Lead Recommended Reflow Profile (Based on J-STD-020D)



$T_{SMIN}$ (°C)	$T_{SMAX}$ (°C)	$T_L$ (°C)	$T_P$ (°C MAX)	$t_s$ (s)	$t_L$ (s)	$t_p$ (s MAX)	Ramp-up rate ( $T_L$ to $T_P$ )	Ramp-down rate ( $T_P$ to $T_L$ )	Time 25°C to peak temperature (s MAX)
100	150	183	235	60-120	60-150	20	3°C/s MAX	6°C/s MAX	360

Notes:

1. All temperatures measured on the package leads.
2. Maximum times of reflow cycle: 2.

### For More Information

iNRCORE, LLC  
311 Sinclair Road Bristol,  
PA 19007-6812 U.S.A  
Tel: + 1.215.781.6400  
Fax: +1.215.7816430

**Global Sales Representatives and Locations:**  
<http://www.inrcore.com>

Performance warranty of products offered on this data sheet is limited to the parameters specified. Data is subject to change without notice. Other brand and product names mentioned herein may be trademarks or registered trademarks of their respective owners. © Copyright, 2020. iNRCORE, LLC. All rights reserved.

