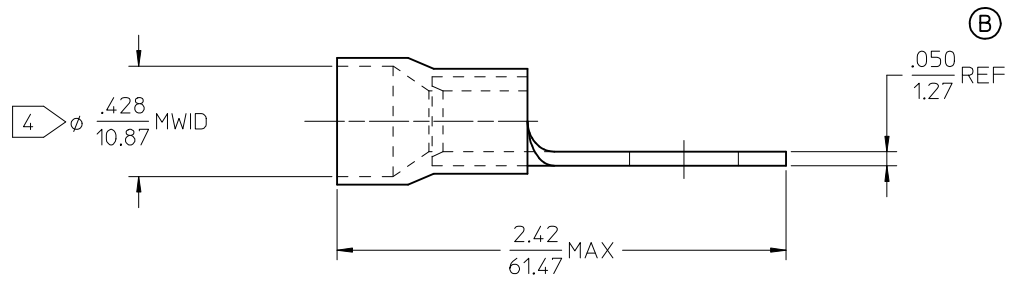
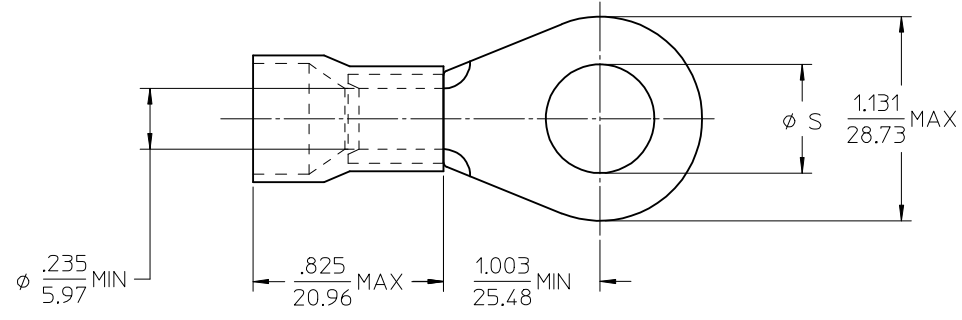


10	9	8	7	6	5	4	3	2	1
MATERIAL NO.	ENG. NO.	STUD SIZE	$\phi S \pm .005/0.13$						
190670066	E-959-34	3/4	.781/19.84						



- NOTE(S):
1. TERMINAL MATERIAL: COPPER ALLOY.
  2. TERMINAL FINISH: ELECTRO TIN PLATE.
  3. INSULATION MATERIAL: NYLON, COLOR CODED BLUE.
- $\square$  MWID = MAXIMUM WIRE INSULATION DIAMETER.
- $\text{B}$  5. ALL COMPONENTS ARE ROHS COMPLIANT.

REDWN & RDC MATL THKNS EC NO: 2006/10/16 DRAWN BY: DRW:EHILE CHKD: JMACNEIL APPR: JMACNEIL REV: B	QUALITY SYMBOLS	GENERAL TOLERANCES (UNLESS SPECIFIED)	DIMENSION STYLE	SCALE	DESIGN UNITS	THIRD ANGLE PROJECTION
	$\nabla=0$	mm INCH	IN/MM	4:1	INCH	
	$\nabla E=0$	4 PLACES ± --- ± ---	DRAWN BY DATE			
		3 PLACES ± --- ± ---	EHILE 2006/10/16			
	2 PLACES ± --- ± ---	CHECKED BY DATE				RING TONGUE TERMINAL, FUNNEL ENTRY, 6 AWG, NYLAKRIMP
	1 PLACE ± --- ± ---	JMACNEIL 2006/10/16				
	ANGULAR ± ---°	APPROVED BY DATE				MOLEX INCORPORATED
		JMACNEIL 2006/10/16				
	DRAFT WHERE APPLICABLE MUST REMAIN WITHIN DIMENSIONS	MATERIAL NO.	SEE CHART	DOCUMENT NO.	SD-19067-015	SHEET NO. 1 OF 1
		SIZE B	THIS DRAWING CONTAINS INFORMATION THAT IS PROPRIETARY TO MOLEX INCORPORATED AND SHOULD NOT BE USED WITHOUT WRITTEN PERMISSION			