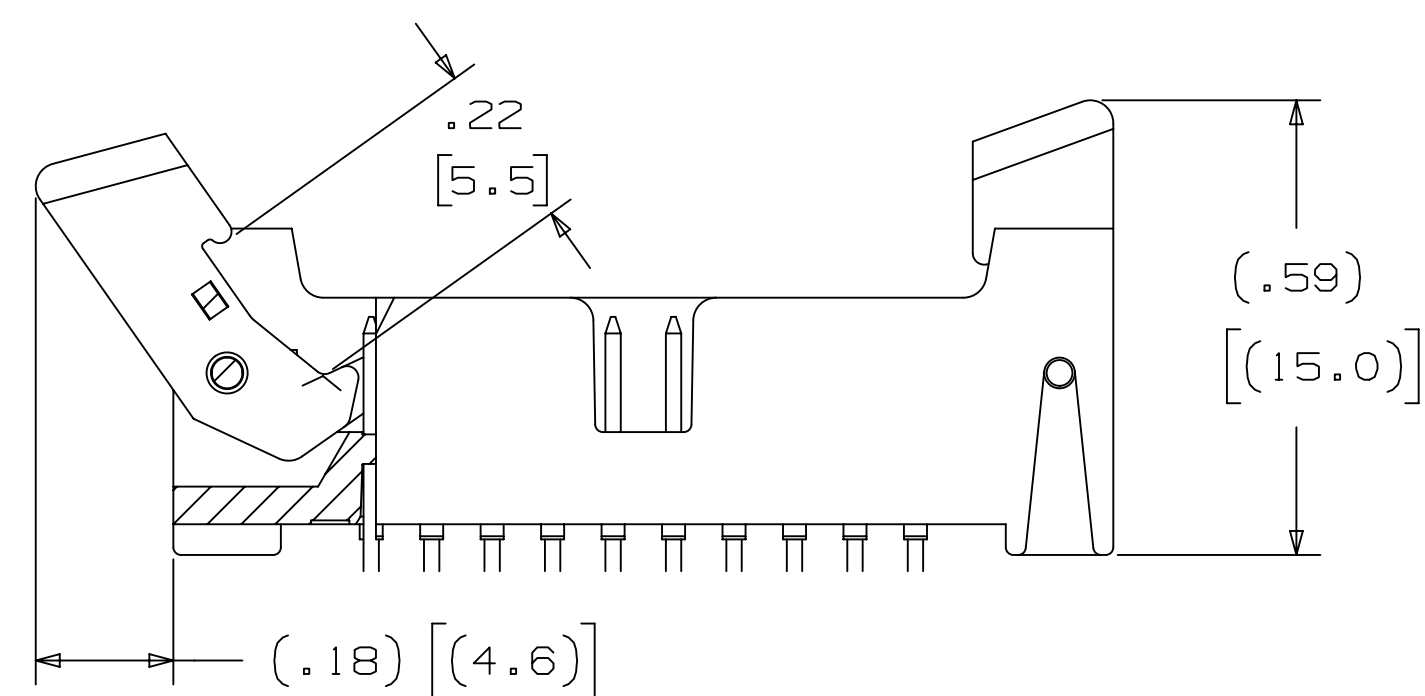
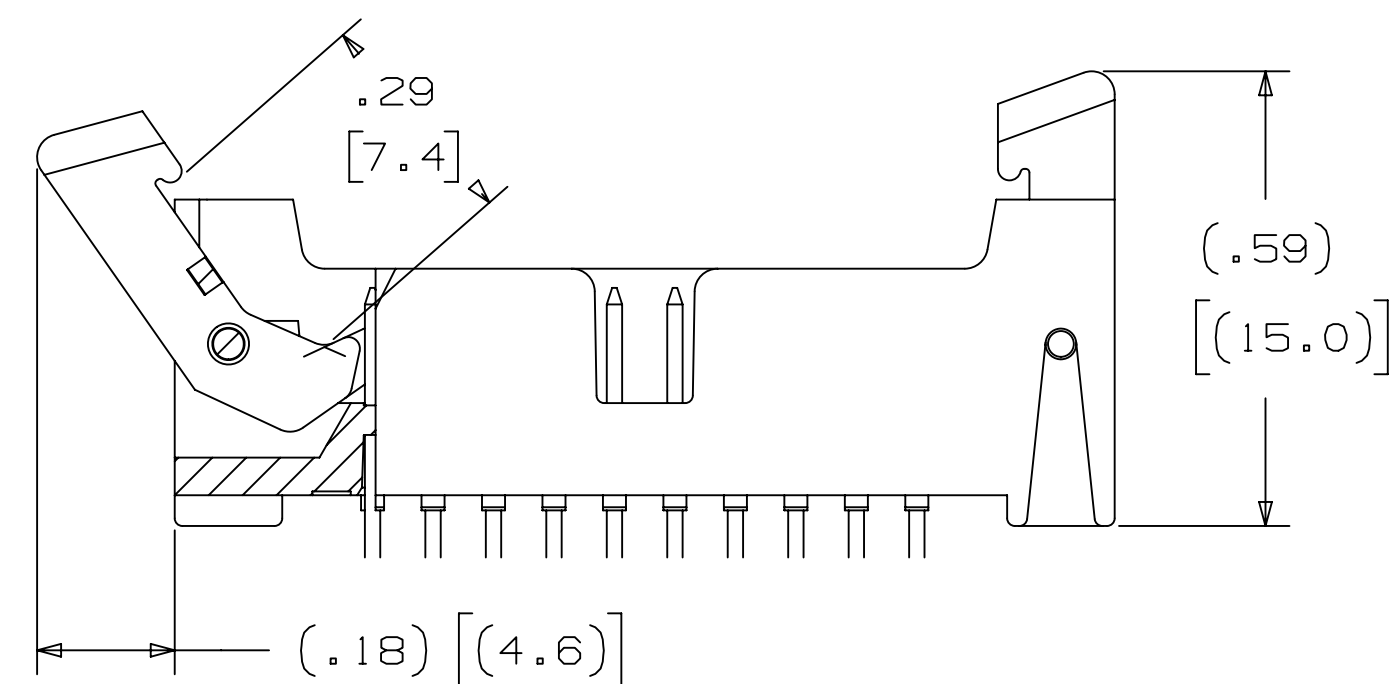


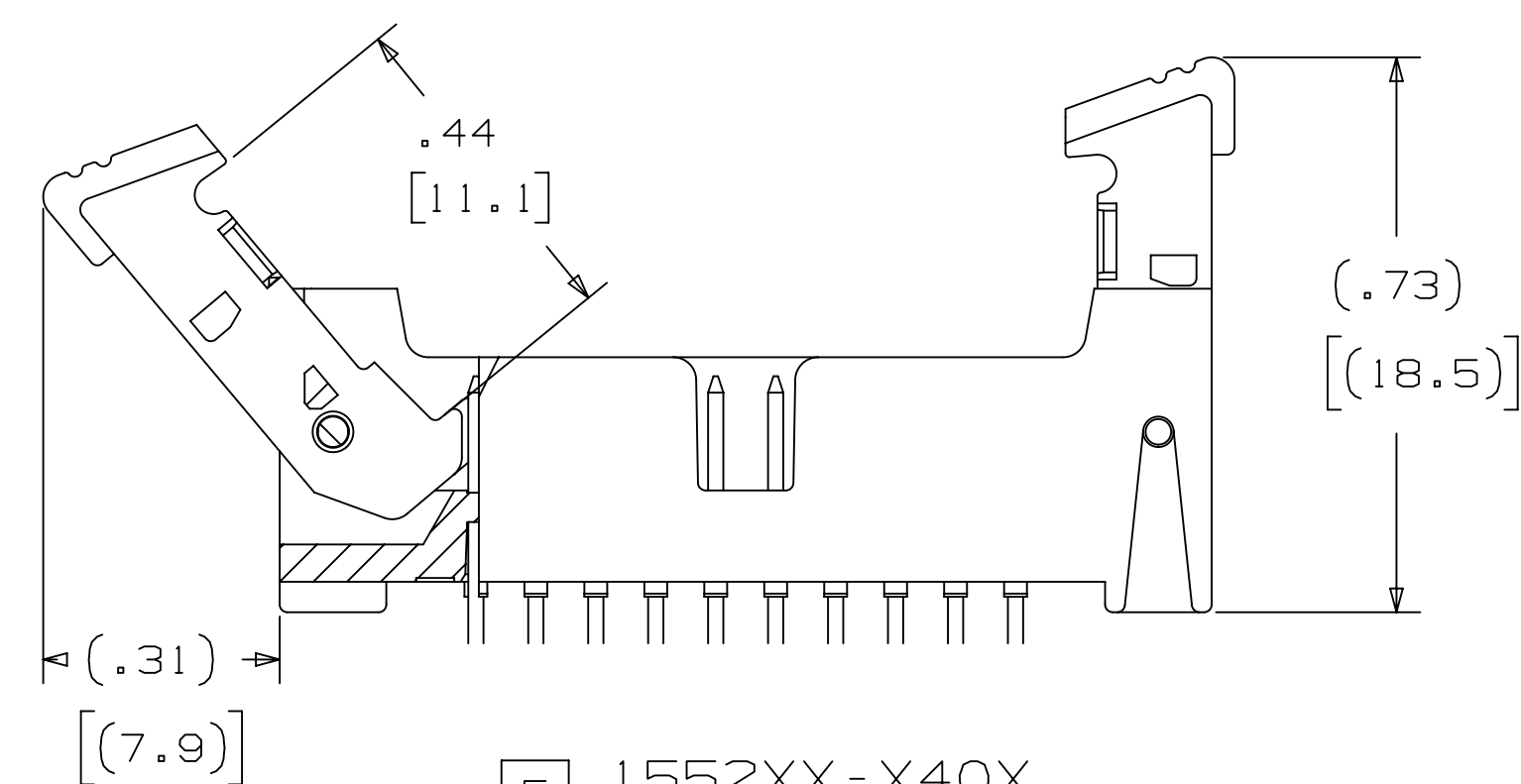
3M™ LATCH/EJECT HEADER, 1552 SERIES  
2MM X 2MM STRAIGHT & RIGHT ANGLE, THROUGH-HOLE, STRAIGHT & SURFACE MOUNT



5 1552XX-X20X  
LATCH MATING FOR  
MOLDED-ON SOCKET  
WITH LATCHING EAR



5 1552XX-X30X  
LATCH MATING FOR  
PRESS-ON SOCKET



5 1552XX-X40X  
LATCH MATING FOR  
2MM SCI CARRIER

- NOTES
1. MATERIAL:  
PLASTIC:  
GLASS FILLED POLYESTER (LCP)  
UL94V-0, BLACK  
CONTACT: COPPER ALLOY.
  2. PLATING:  
50-150μ" NICKEL UNDERPLATING  
WIPE AREA: SEE ORDERING INFO.  
SOLDER TAIL: 200μ" MIN. MATTE TIN.
  3. IN THE EVENT OF CONFLICT  
BETWEEN THIS DATA AND THAT  
CONTAINED IN THE PRODUCT  
SPECIFICATION, THE PRODUCT  
SPECIFICATION TAKES PRECEDENT.
  4. REGULATORY INFORMATION:  
VISIT 3M.com/regs
  5. SEE TABLE 1 FOR LATCH  
AVAILABILITY.
  6. MATING COMPATIBILITY SERIES:  
1522, 870, 2M AND 2MM SCI  
CARRIER (93XX).

3 ELECTRICAL PERFORMANCE :

CURRENT RATING: 4.75A, 1 LINE POWERED  
2.75A, 6 ADJACENT LINES POWERED  
1.25A, ALL LINES POWERED

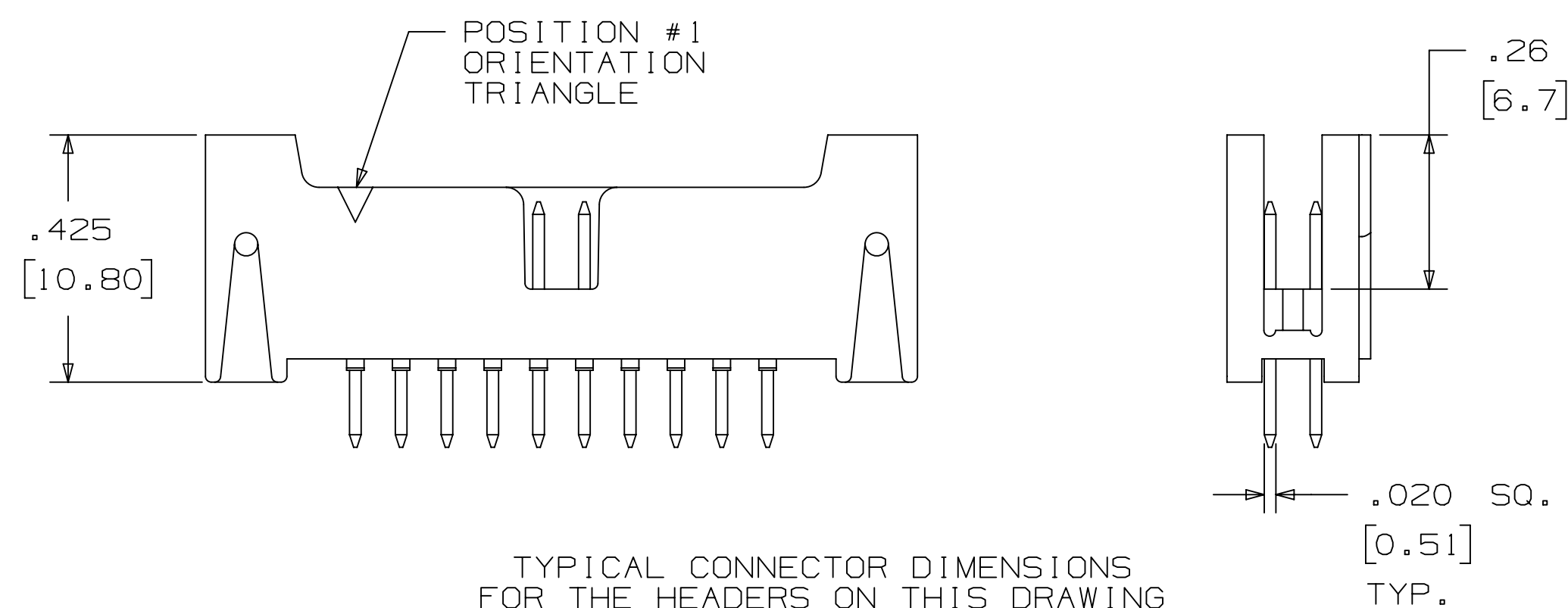
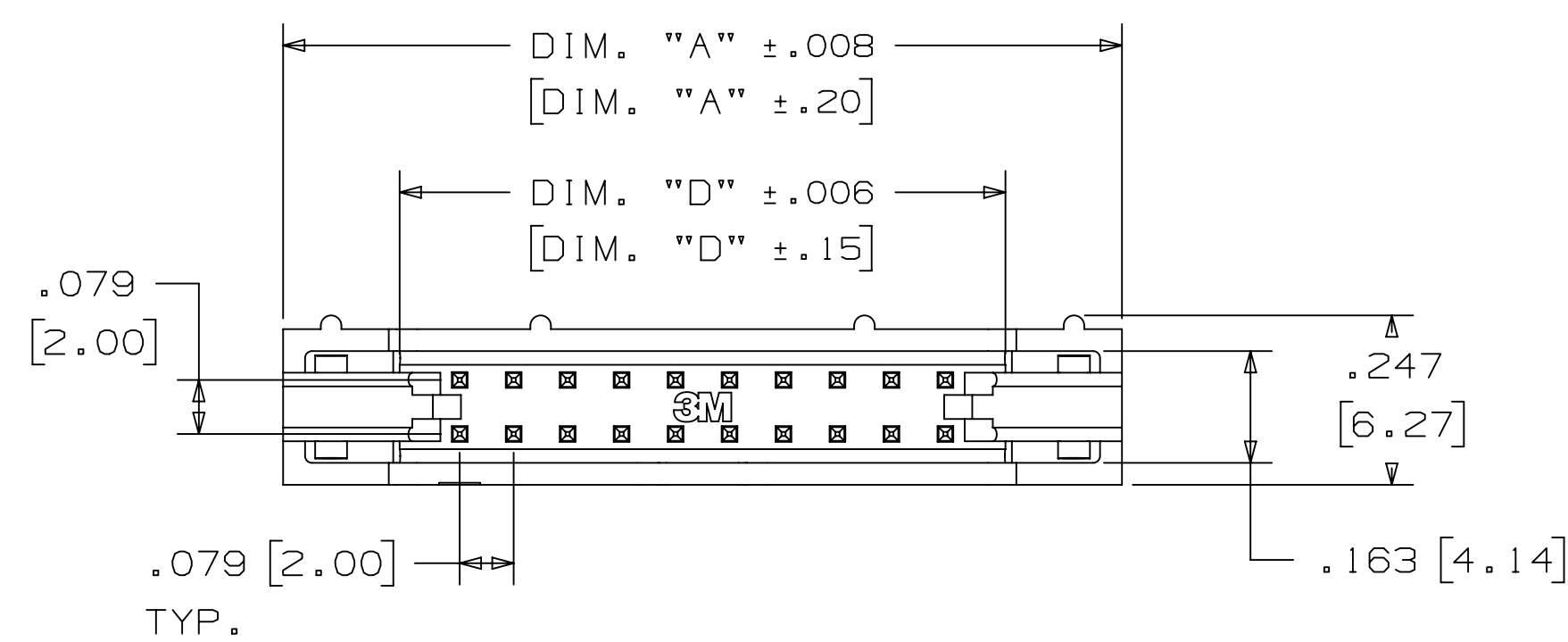
RATING CONDITIONS: EIA-364-070 METHOD 2, 30°C MAXIMUM TEMPERATURE  
RISE, 20% DERATED. REFERENCE APPROPRIATE 3M PRODUCT  
SPECIFICATION FOR DETAILED CURRENT DERATING CURVES.

INSULATION RESISTANCE: > 1X10<sup>9</sup> OHMS AT 500 V<sub>DC</sub>  
WITHSTANDING VOLTAGE: 500 V<sub>RMS</sub> AT SEA LEVEL

3 ENVIRONMENTAL :

TEMPERATURE RATING: -55°C TO +105°C  
PROCESS RATING: MAXIMUM 260°C (PER J-STD-020)  
MOISTURE SENSITIVITY LEVEL: 1 (PER J-STD-020)

- \* 14 PIN COUNTS RANGING FROM 06 TO 50 POSITIONS.
- \* LATCH/EJECT MECHANISM SECURELY LATCHES TO SOCKET.
- \* ROLL PINS RETAIN LATCHES TO BODY IN SHIPPING AND HIGH VIBRATION ENVIRONMENTS.
- \* EJECTOR HELPS MAKE UNMATING OF CABLE ASSEMBLIES EASIER.
- \* HIGH TEMPERATURE INSULATORS SUITABLE FOR LEAD FREE PROCESSING.
- \* ROBUST SYSTEM SOLUTION WHEN USED WITH 3M IDC WIREMOUNT SOCKETS OR 3M MOLDED CABLE ASSEMBLIES.
- \* SMT LATCH/EJECT HEADERS ARE AVAILABLE IN TAPE AND REEL WITH VACUUM CAP FOR AUTOMATIC PLACEMENT.



TYPICAL CONNECTOR DIMENSIONS  
FOR THE HEADERS ON THIS DRAWING  
(EXCEPT AS NOTED)

DIMENSIONS: INCHES [ MM ]  
[ MM ] IS REF. ONLY

3M ELECTRONICS MATERIALS SOLUTIONS DIVISION  
INTERCONNECT SOLUTIONS  
<http://www.3M.com/interconnect>

3M IS A TRADEMARK OF 3M COMPANY.  
FOR TECHNICAL, SALES OR ORDERING  
INFORMATION CALL 800-225-5373



UL FILE NO: E68080,  
VOLUME 2, SECTION 4

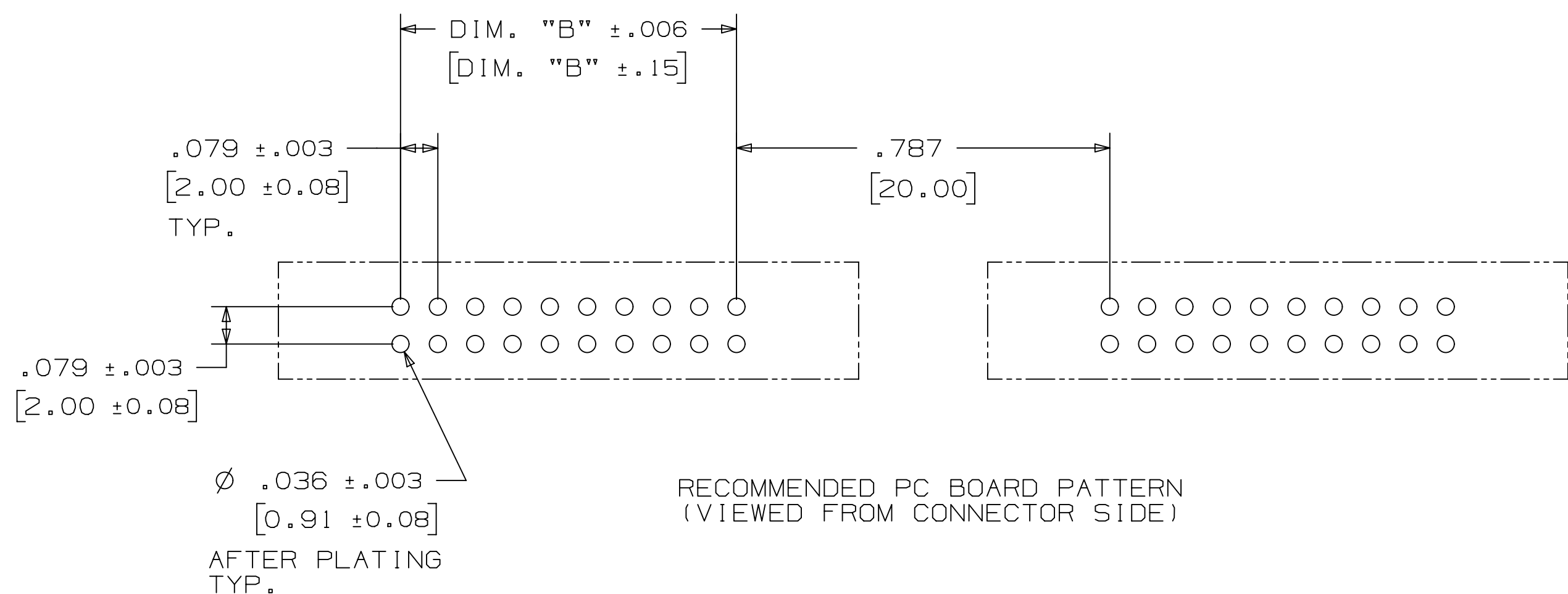
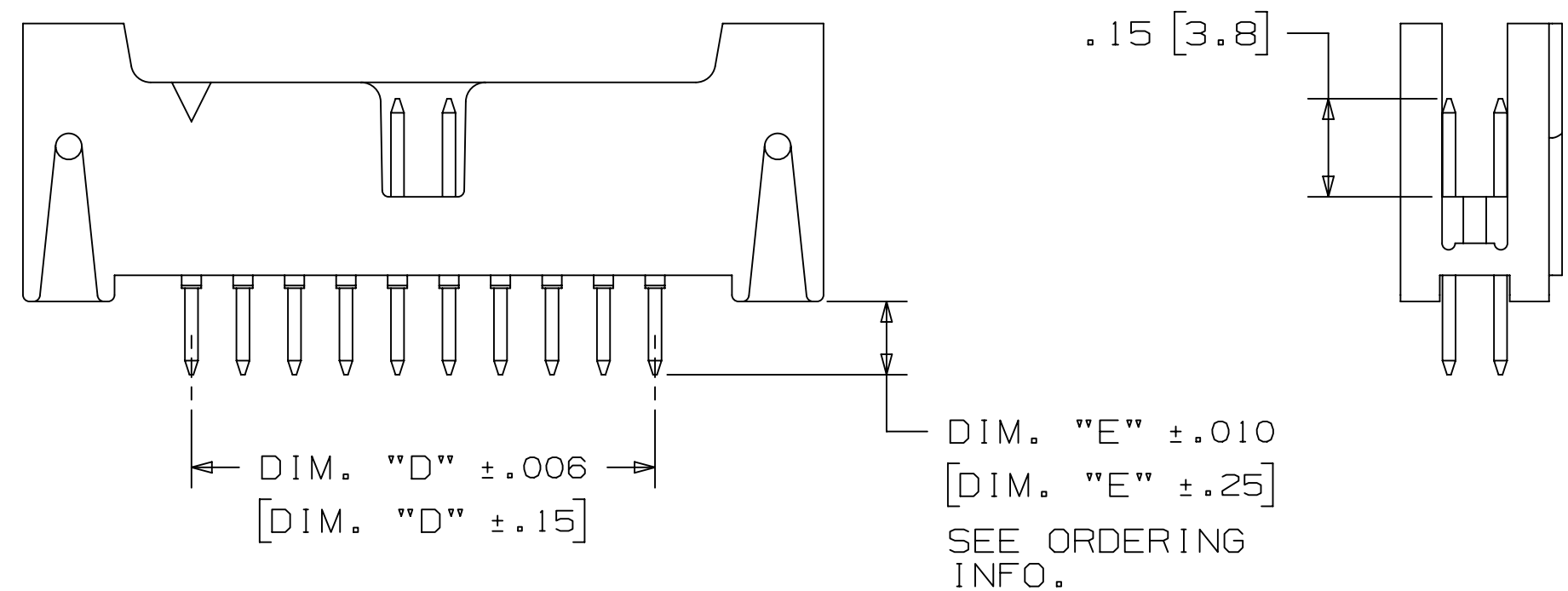
REV	ECO	ISSUE DATE AND DESCRIPTION	DRFT	CHKD
P	103741	MAR 29, 2022 REVISE 24P IN TABLE 1	JNC	SAN
N	99400	SEP 20, 2021 REVISE ELECTRICAL PERFORMANCE	JNC	FJR
M	97385	JUN 02, 2021 REMOVED G1552XX, REVISED NOTES	JNC	FJR
L	58601	AUG 11, 2016 8-11-16 ADD SHT 4 REVISE TRADEMAKE NOTE JUN 01, 2016 PRODUCTION RELEASE, APR 29, 2016	JNC	RS

DESIGN REFERENCE	NEXT ASSEMBLY	REV	ECO	ISSUE DATE AND DESCRIPTION	DRFT	CHKD
DIVISION		DIVISION CODE				
DO NOT SCALE DRAWING		SCALE 4/1		TOLERANCES EXCEPT AS NOTED		
THIRD ANGLE PROJECTION		INCHES		MILLIMETERS		
INTERPRET PER ASME Y14.5 - 2018		0 ±		0 ±		
MAX. SURFACE ROUGHNESS		0.00 ±		0.00 ±		
MARKED ONLY		0.00 ±		0.00 ±		
		ANGLES				

		© 3M COPYRIGHT 2022 This document and the information it contains are 3M property and may not be reproduced or further distributed without 3M permission, or used or disclosed other than for 3M authorized purposes. All rights reserved.	
TITLE LATCH/EJECT HEADER, 2MM, STRAIGHT, RIGHT ANGLE & SMT			
CAGE NUMBER	SIZE	DRAWING NO.	REV.
D		78-5100-2199-7	P
MODEL	1552	DET	IS1s YES NO SHT 1 OF 4

3M™ LATCH/EJECT HEADER, 1552 SERIES  
 2MM X 2MM STRAIGHT & RIGHT ANGLE, THROUGH-HOLE, STRAIGHT & SURFACE MOUNT

STRAIGHT VERSION



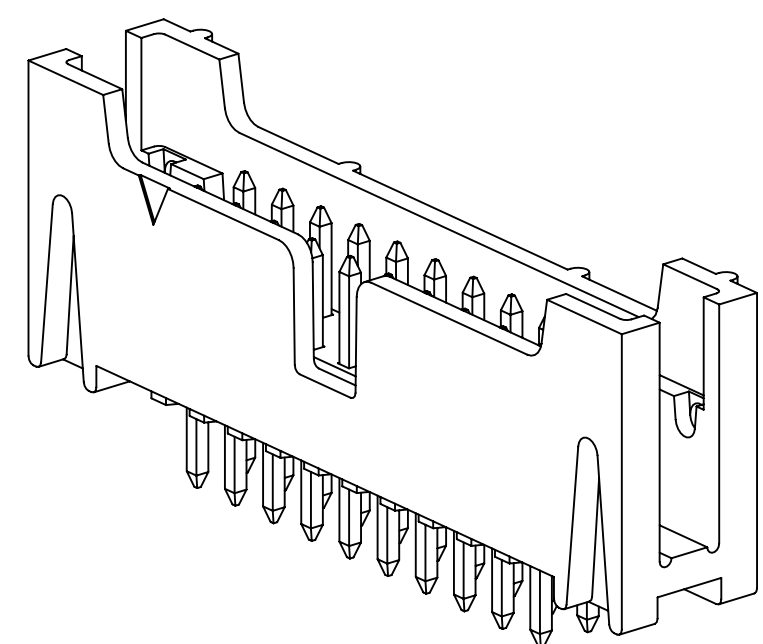
ORDERING INFORMATION  
 1552XX-6X0X-XX

LATCHING OPTIONS:  
 2 = LATCH, MOLDED-ON SOCKET WITH LATCHING EARS, SERIES: 870, 2MM  
 3 = LATCH, PRESS-ON SOCKET, SERIES: 1522  
 4 = LATCH, 2MM SCI CARRIER ONLY, SERIES: 93XX

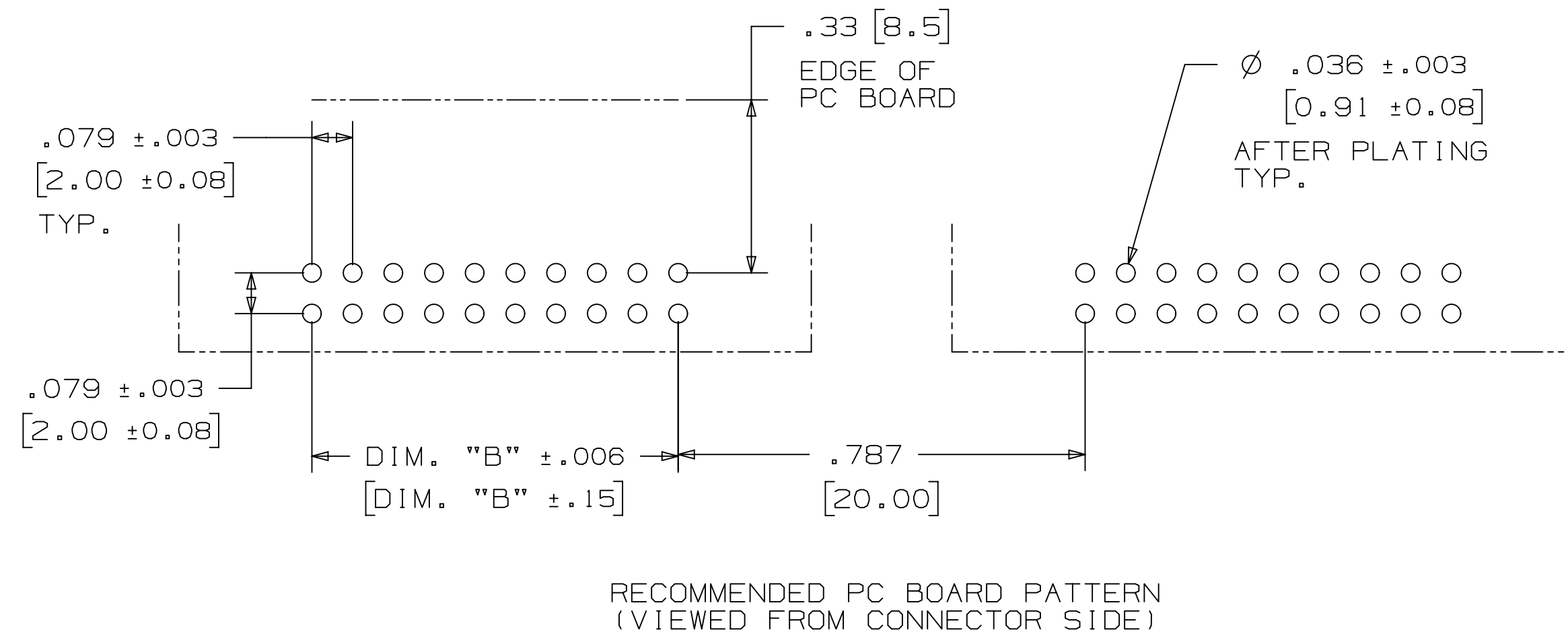
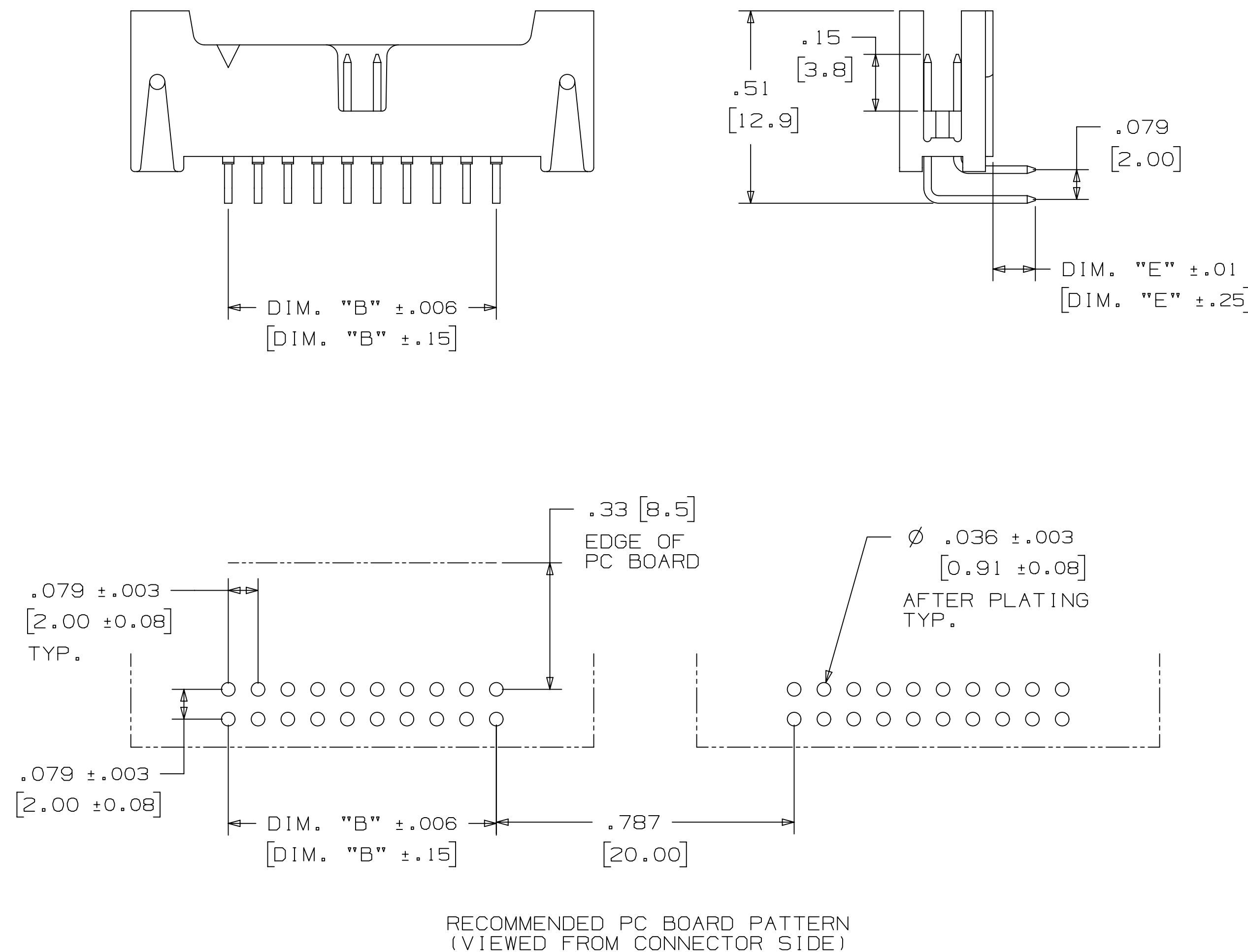
CONTACT QUANTITY: [ ]

PLATING OPTIONS:  
 RB = 30µ" AVG. [.76µm] GOLD  
 RA = 10µ" AVG. [.25µm] GOLD

SOLDER TAIL LENGTH:  
 DIMENSION "E"  
 2 = .112 [2.84]  
 3 = .155 [3.94]



RIGHT ANGLE VERSION



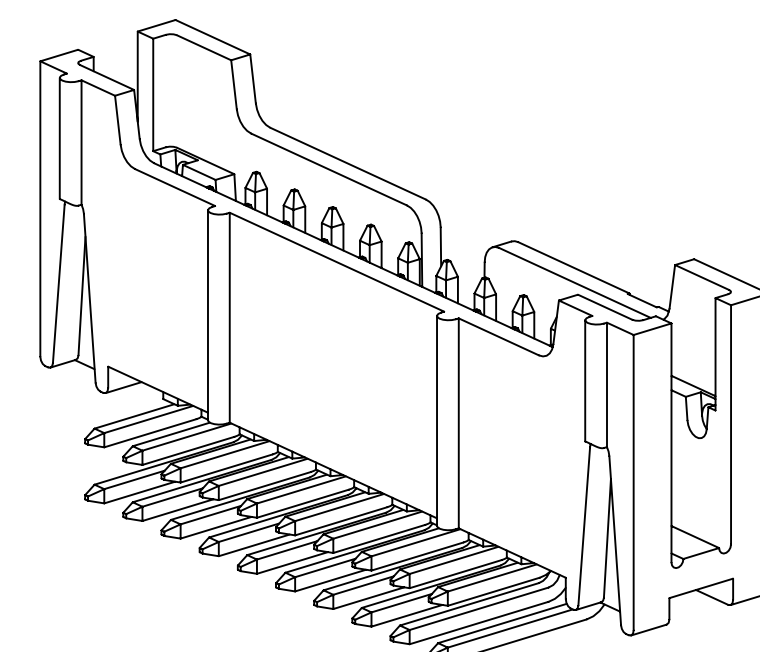
ORDERING INFORMATION  
 1552XX-5X0X-XX

LATCHING OPTIONS:  
 2 = LATCH, MOLDED-ON SOCKET WITH LATCHING EARS, SERIES: 870, 2MM  
 3 = LATCH, PRESS-ON SOCKET, SERIES: 1522  
 4 = LATCH, 2MM SCI CARRIER ONLY, SERIES: 93XX

CONTACT QUANTITY: [ ]

PLATING OPTIONS:  
 RB = 30µ" AVG. [.76µm] GOLD  
 RA = 10µ" AVG. [.25µm] GOLD

SOLDER TAIL LENGTH:  
 DIMENSION "E"  
 2 = .112 [2.84]  
 3 = .155 [3.94]



DESIGN REFERENCE	NEXT ASSEMBLY	REV	ECO	ISSUE DATE AND DESCRIPTION	DRFT	CHKD
		P	103741	MAR 29, 2022 REVISE 24P IN TABLE 1	JNC	SAN
		N	99400	SEP 20, 2021 REVISE ELECTRICAL PERFORMANCE	JNC	FJR
		M	97385	JUN 02, 2021 REMOVED G1552XX, REVISED NOTES	JNC	FJR
		L	58601	AUG 11, 2016 8-11-16 ADD SHT 4 REVISE TRADEMAKE NOTE JUN 01, 2016 PRODUCTION RELEASE, APR 29, 2016	JNC	RS

DESIGNER	CHECKED	DATE	DATE	DATE
CASTIGLIONE		JAN 21, 2015		
	R. SCHERER		JAN 21, 2015	

DO NOT SCALE DRAWING	SCALE	TOLERANCES EXCEPT AS NOTED
	4 1	

INCHES	MILLIMETERS
0 ±.1	0 ±
.00 ±.01	.00 ±
.000 ±.008	.000 ±
.0000 ±.0002	.000 ±

CAGE NUMBER	SIZE	DRAWING NO.	REV.
D		78-5100-2199-7	P

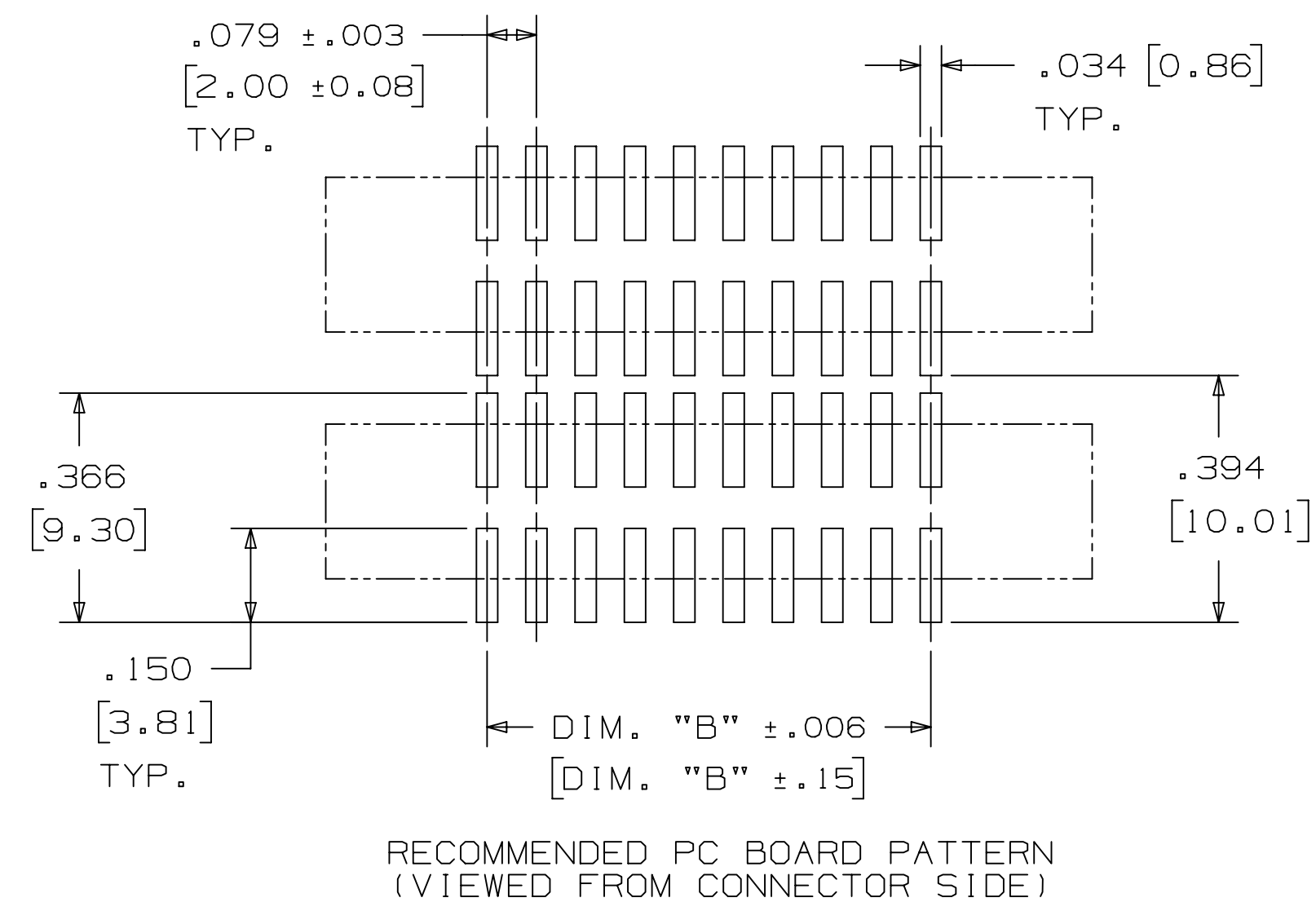
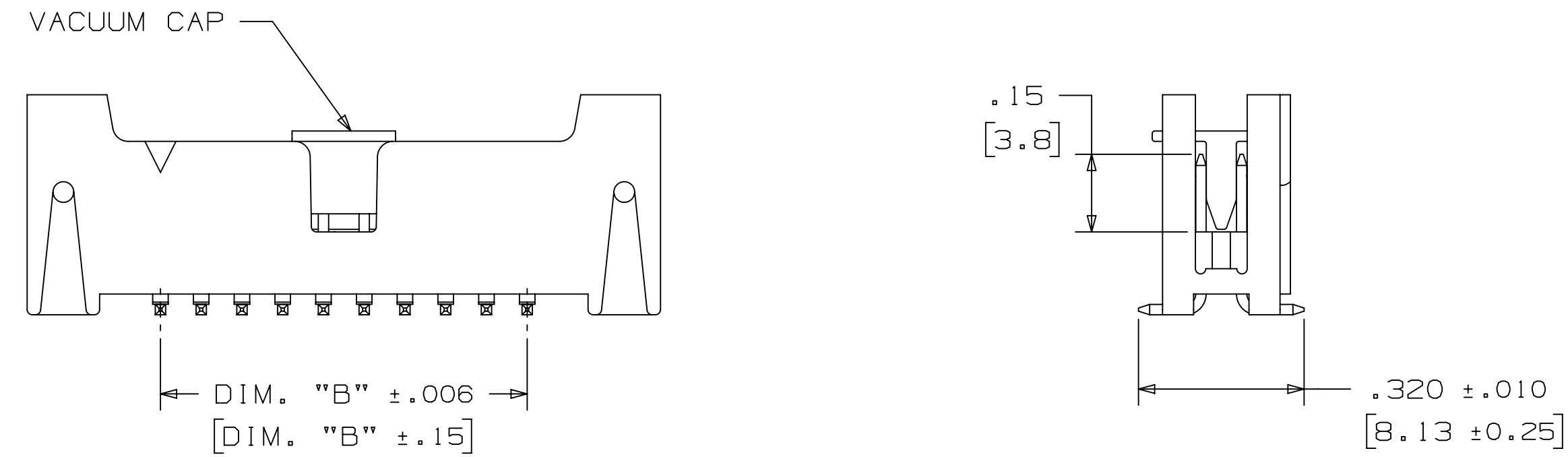
  

MODEL	DATE	REV.
1552		

3M™ LATCH/EJECT HEADER, 1552 SERIES  
2MM X 2MM STRAIGHT & RIGHT ANGLE, THROUGH-HOLE, STRAIGHT & SURFACE MOUNT

SURFACE MOUNT VERSION

- NOTES:  
1) TAPE & REEL PARTS ALWAYS SUPPLIED WITH VACUUM PICK-UP CAP.  
2) TAPE & REEL NOT AVAILABLE WITH SCI LATCH OPTION.  
3) TRAY PARTS SUPPLIED WITHOUT VACUUM PICK-UP CAP.  
4) SURFACE MOUNT VERSION: ORDER CODE APPLIES TO THE TAPE AND REEL WIDTH.



RECOMMENDED PC BOARD PATTERN  
(VIEWED FROM CONNECTOR SIDE)

CONTACT QTY.	DIM. "A"	DIM. "B"	DIM. "D"	LATCH OPTION	TAPE WIDTH	ORDER CODE	CONTACT QTY.
06	.673 [17.09]	.157 [4.00]	.333 [8.45]	2, 4	44 MM	WD	06
08	.752 [19.10]	.236 [6.00]	.411 [10.44]	2, 4	44 MM	WD	08
10	.831 [21.10]	.315 [8.00]	.490 [12.45]	2, 3, 4	44 MM	WD	10
12	.910 [23.10]	.394 [10.00]	.569 [14.45]	3, 4	44 MM	WD	12
16	1.067 [27.10]	.551 [14.00]	.726 [18.44]	2, 4	56 MM	WE	16
20	1.224 [31.09]	.709 [18.00]	.884 [22.45]	2, 3, 4	56 MM	WE	20
22	1.303 [33.10]	.787 [20.00]	.963 [24.46]	2, 4	56 MM	WE	22
24	1.382 [35.10]	.866 [22.00]	1.041 [26.44]	2, 4	56 MM	WF	24
26	1.461 [37.10]	.945 [24.00]	1.120 [28.45]	2, 3, 4	72 MM	WF	26
30	1.618 [41.10]	1.102 [28.00]	1.278 [32.46]	2, 4	72 MM	WF	30
34	1.774 [45.09]	1.260 [32.00]	1.435 [36.46]	2, 4	72 MM	WF	34
40	2.012 [51.10]	1.496 [38.00]	1.671 [42.44]	2, 3, 4	72 MM	WF	40
44	2.169 [55.09]	1.654 [42.00]	1.829 [46.46]	2, 3, 4	88 MM	WG	44
50	2.405 [61.09]	1.980 [48.00]	2.065 [54.45]	2, 3, 4	88 MM	WG	50

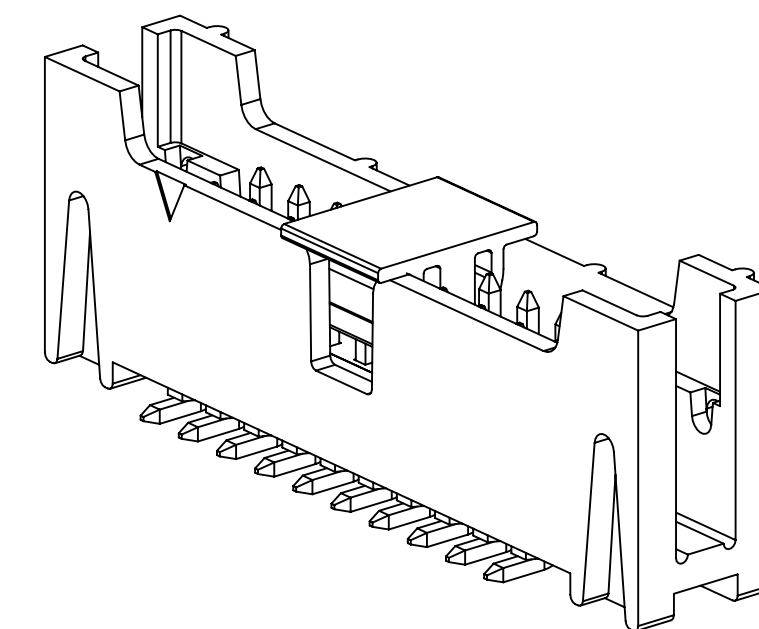
ORDERING INFORMATION  
1552XX-2X00-XX-XX

CONTACT QUANTITY: \_\_\_\_\_

PACKAGING:  
BLANK = TRAYS  
WX = TAPE & REEL  
(SEE TABLE 1 ORDER CODE)

LATCHING OPTIONS:  
2 = LATCH, MOLDED-ON SOCKET WITH LATCHING EARS, SERIES: 870, 2MM  
3 = LATCH, PRESS-ON SOCKET, SERIES: 1522  
4 = LATCH, 2MM SCI CARRIER ONLY, SERIES 93XX

PLATING OPTIONS:  
RB = 30μ" AVG. [.76μm] GOLD  
RA = 10μ" AVG. [.25μm] GOLD



4

REV	ECO	ISSUE DATE AND DESCRIPTION	DRFT	CHKD
P	103741	MAR 29, 2022 REVISE 24P IN TABLE 1	JNC	SAN
N	99400	SEP 20, 2021 REVISE ELECTRICAL PERFORMANCE	JNC	FJR
M	97385	JUN 02, 2021 REMOVED G1552XX, REVISED NOTES	JNC	FJR
L	58601	AUG 11, 2016 8-11-16 ADD SHT 4 REVISE TRADEMAKE NOTE JUN 01, 2016 PRODUCTION RELEASE, APR 29, 2016	JNC	RS

DESIGN REFERENCE	NEXT ASSEMBLY	REV	ECO	ISSUE DATE AND DESCRIPTION	DRFT	CHKD
3M Center St. Paul, MN 55144	EMSD	CASTIGLIONE	JAN 21, 2015	MFR	JAN 21, 2015	DATE
DO NOT SCALE DRAWING	SCALE 4/1	TOLERANCES EXCEPT AS NOTED				
THIRD ANGLE PROJECTION	INTERPRET PER ASME Y14.5 - 2018	MILLIMETERS				
MAX SURFACE ROUGHNESS	MARKED ONLY	ANGLES				
		<b>3M</b> © 3M COPYRIGHT 2022 This document and the information it contains are 3M property and may not be reproduced or further distributed without 3M permission, or used or disclosed other than for 3M authorized purposes. All rights reserved.				
TITLE		LATCH/EJECT HEADER, 2MM, STRAIGHT, RIGHT ANGLE & SMT				
CAGE NUMBER	SIZE	DRAWING NO.	REV.			
D		78-5100-2199-7	P			
MODEL	1552	DET	1515		SHT 3 OF 4	

3M™ LATCH/EJECT HEADER, 1552 SERIES  
 2MM X 2MM STRAIGHT & RIGHT ANGLE, THROUGH-HOLE, STRAIGHT & SURFACE MOUNT

**Regulatory:** For regulatory information about this product, visit [3M.com/regs](http://3M.com/regs) or contact your 3M representative.

**Technical Information:** The technical information, recommendations and other statements contained in this document are based upon tests or experience that 3M believes are reliable, but the accuracy or completeness of such information is not guaranteed.

**Product Use:** Many factors beyond 3M's control and uniquely within user's control can affect the use and performance of a 3M product in a particular application. Given the variety of factors that can affect the use and performance of a 3M product, user is solely responsible for evaluating the 3M product and determining whether it is fit for a particular purpose and suitable for user's method of application.

**Warranty, Limited Remedy, and Disclaimer:** Unless an additional warranty is specifically stated on the applicable 3M product packaging or product literature, 3M warrants that each 3M product meets the applicable 3M product specification at the time 3M ships the product. 3M MAKES NO OTHER WARRANTIES OR CONDITIONS, EXPRESS OR IMPLIED, INCLUDING, BUT NOT LIMITED TO, ANY IMPLIED WARRANTY OR CONDITION OF MERCHANTABILITY OR FITNESS FOR A PARTICULAR PURPOSE OR ANY IMPLIED WARRANTY OR CONDITION ARISING OUT OF A COURSE OF DEALING, CUSTOM OR USAGE OR TRADE. If the 3M product does not conform to this warranty, then the sole and exclusive remedy is, at 3M's option, replacement of the 3M product or refund of the purchase price.

**Limitation of Liability:** Except where prohibited by law, 3M will not be liable for any loss or damage arising from the 3M product, whether direct, indirect, special, incidental or consequential, regardless of the legal theory asserted, including warranty, contract, negligence or strict liability.

3M Company  
 Electronics Materials Solutions Division  
 13011 McCallen Pass, Bldg. C  
 Austin, TX 78753-5380  
 1-800-225-5373  
[www.3M.com/interconnect](http://www.3M.com/interconnect)

REV	ECO	ISSUE DATE AND DESCRIPTION	DRFT	CHKD
P	103741	MAR 29, 2022 REVISE 24P IN TABLE 1	JNC	SAN
N	99400	SEP 20, 2021 REVISE ELECTRICAL PERFORMANCE	JNC	FJR
M	97385	JUN 02, 2021 REMOVED G1552XX, REVISED NOTES	JNC	FJR
L	58601	AUG 11, 2016 8-11-16 ADD SHT 4 REVISE TRADEMAKE NOTE JUN 01, 2016 PRODUCTION RELEASE, APR 29, 2016	JNC	RS

DESIGN REFERENCE	NEXT ASSEMBLY	REV	ECO	ISSUE DATE AND DESCRIPTION	DRFT	CHKD

DRG CODES	DATE	DRFT	CHKD
	JAN 21, 2015	CASTIGLIONE	

DIVISION	DIVISION CODE	DATE	DATE
	EMSD		

DO NOT SCALE DRAWING	SCALE	TOLERANCES EXCEPT AS NOTED
<input checked="" type="checkbox"/>	1	

THIRD ANGLE PROJECTION	INCHES	MILLIMETERS
	±.1 ±.01 ±.008 ±.0002	0 ± ±

MAX SURFACE ROUGHNESS	INTERPRET PER ASME Y14.5 - 2018	MARKED ONLY
		<input checked="" type="checkbox"/>

TITLE	CAGE NUMBER	SIZE	DRAWING NO.	REV.
LATCH/EJECT HEADER, 2MM, STRAIGHT, RIGHT ANGLE & SMT	D		78-5100-2199-7	P

MODEL	1552	DET	LISTS	YES	NO	SHT 4 OF 4
				<input checked="" type="checkbox"/>	<input type="checkbox"/>	

78-5100-2199-7  
DRAWING NUMBER

REVISION