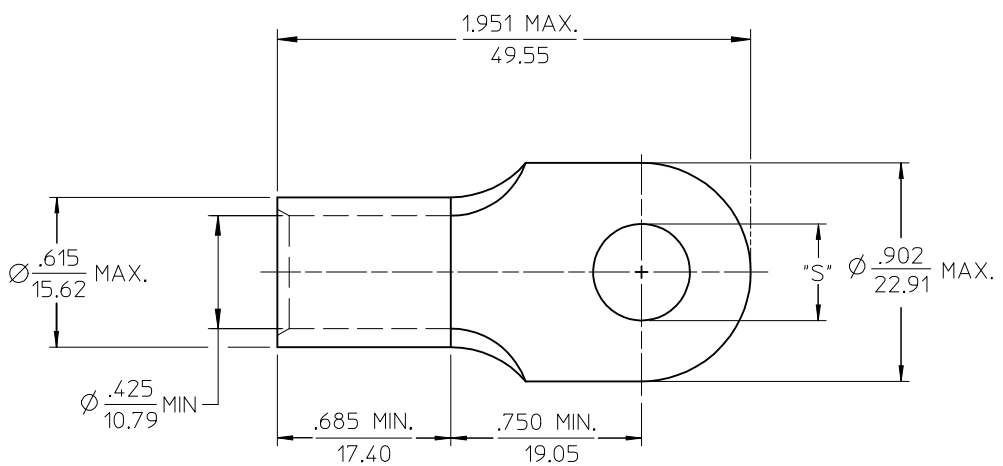


| MATERIAL NO. | ENG. NO. | STUD SIZE | ±.003 "S" | STOCK THICKNESS |
|--------------|----------|-----------|-----------|-----------------|
| 191930326    | H-380-14 | 1/4       | .265      | .075 (1.90)     |
| 191930328    | H-380-56 | 5/16      | .328      |                 |
| 191930612    | H-380-38 | 3/8       | .390      |                 |
| 191930329    | H-380-76 | 7/16      | .453      |                 |
| 191930325    | H-380-12 | 1/2       | .515      |                 |



SALES DRAWING

- NOTE(S):
1. MATERIAL: COPPER
  2. PLATING: ELECTROPLATE TIN
  3. ALL DIMENSIONS IN INCHES/(MM)
  4. WIRE SIZE: 1/0 AWG  
50 MM<sup>2</sup>
  5. PART IS ROHS COMPLIANT.

|   |                  |  |   |  |                     |                            |                        |
|---|------------------|--|---|--|---------------------|----------------------------|------------------------|
| REV CHART & ADDED ROHS<br>EC NO: ETC2007-0397<br>DRAWN BY: DRWAHEHLE 2007/04/27<br>CHKD: JMAGNEIL 2007/05/09<br>APPR: JMAGNEIL 2007/05/10 | DESCRIPTION<br>B | QUALITY SYMBOLS  | GENERAL TOLERANCES (UNLESS SPECIFIED)   | DIMENSION STYLE  | SCALE               | DESIGN UNITS               | THIRD ANGLE PROJECTION |
|   |                  | ▼=0<br>▽=0   | mm INCH<br>4 PLACES ± --- ± ---<br>3 PLACES ± --- ± .005<br>2 PLACES ± 0.13 ± .01<br>1 PLACE ± 0.25 ± ---<br>ANGULAR ± 1/2°   | IN/MM<br>DRAWN BY DATE<br>GZ 85/04/15<br>CHECKED BY DATE<br>GZ 85/04/15<br>APPROVED BY DATE<br>GZ 85/04/15 | 2:1<br>INCH         | ☉ □ THIRD ANGLE PROJECTION |                        |
|   |                  | DRAFT WHERE APPLICABLE<br>MUST REMAIN<br>WITHIN DIMENSIONS | MATERIAL NO.<br>SEE CHART   | TITLE<br>RING TONGUE TERMINAL,<br>VERSAKRIMP SERIES,<br>1/0 AWG  | MOLEX INCORPORATED  |                            |                        |
|   |                  | SIZE<br>B  | THIS DRAWING CONTAINS INFORMATION THAT IS PROPRIETARY TO MOLEX INCORPORATED AND SHOULD NOT BE USED WITHOUT WRITTEN PERMISSION | DOCUMENT NO.<br>SD-19193-008   | SHEET NO.<br>1 OF 1 |                            |                        |