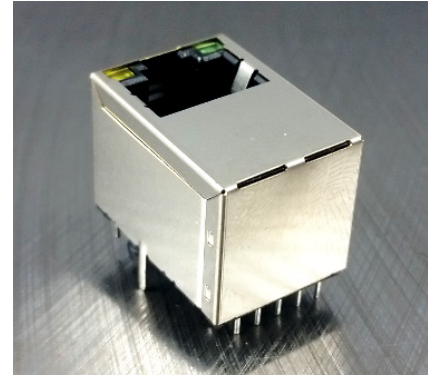




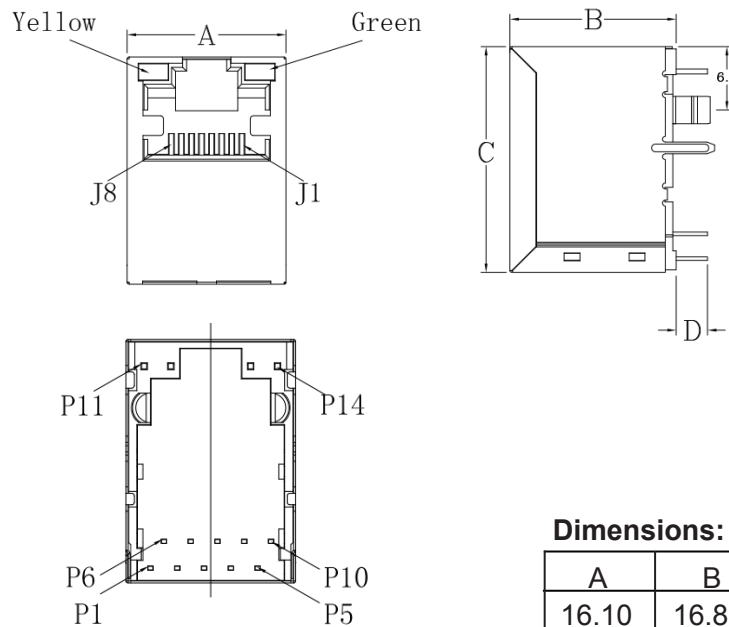
- 10/100/1000 Gigabit Base-T for Ethernet Applications
- RJ45 Jack cavity conforms to FCC rules and regulations part 68, SUB Part F
- Industrial Temp: -40°C to ± 85°C
- DC Resistance: 1.2Ω MAX
- Available in other circuit designs
- Other LED patterns available



Electrical Specifications @ 25°C									
OCL(μH Min) @100KHz, 0.1V With 8mA DC Bias	Turns Ratio @100KHz (±2%)	Insertion Loss (dB Max)	Return Loss (dB Min)				Cross Talk (dB Min)	CMR (dB Min)	Hi-Pot VDC
			1-100MHz	1-30MHz	30-50MHz	60-80MHz			
350	1CT:1CT	-1.2	-16	-12	-10	-8	-30	-30	2250

All specifications subject to change without notice

### MECHANICAL

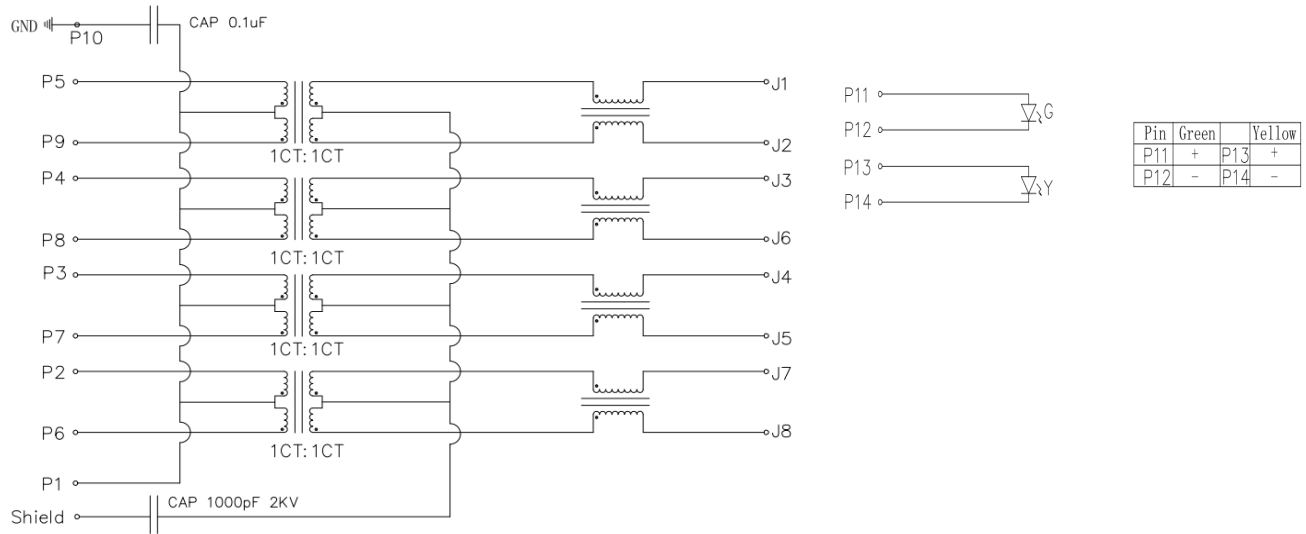


Dimensions: (mm)

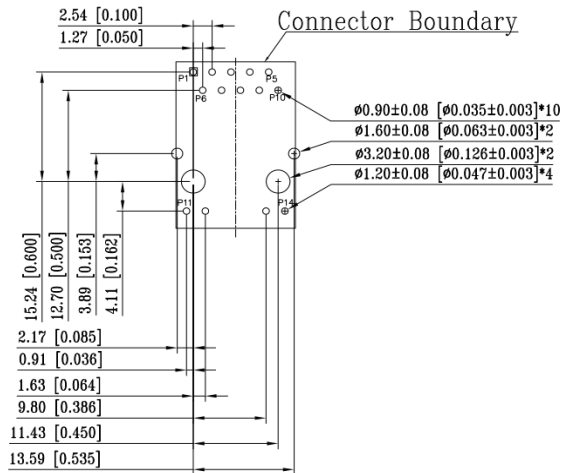
A	B	C	D
16.10	16.87	23.15	2.80



**SCHEMATICS**



**PCB LAYOUT**



**NOTES**

1. Connector Material:  
Housing: PA66 Black UL94 V-0  
Shield: Brass  
Shield Plating: Nickel  
Contact: Phosphor Bronze  
Contact Plating: Selective Gold, 30 Micro Inchs MIN in contact area
2. Pin not electrically connected maybe omitted see electrical drawing for omitted Pins
3. RJ45 cavities conform to FCC rules and regulations part 6B
4. The part is recommended for IR soldering process peak soldering temperature is 260°C Max, 10 Secs Max