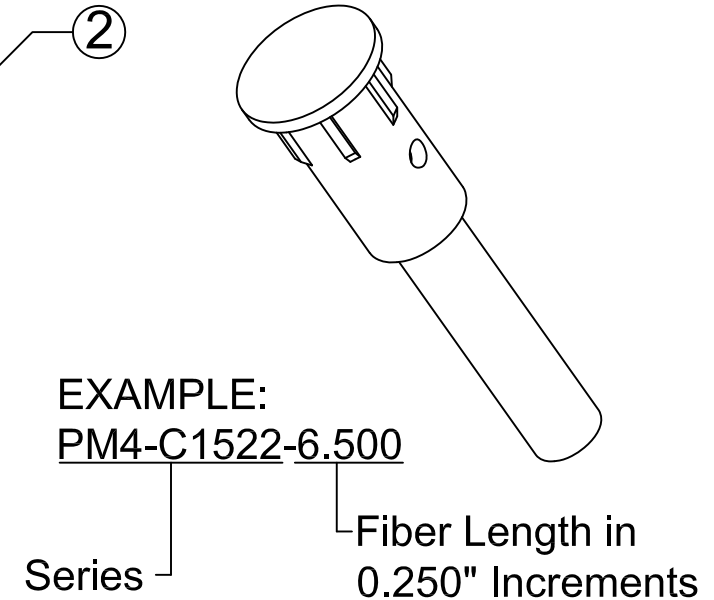
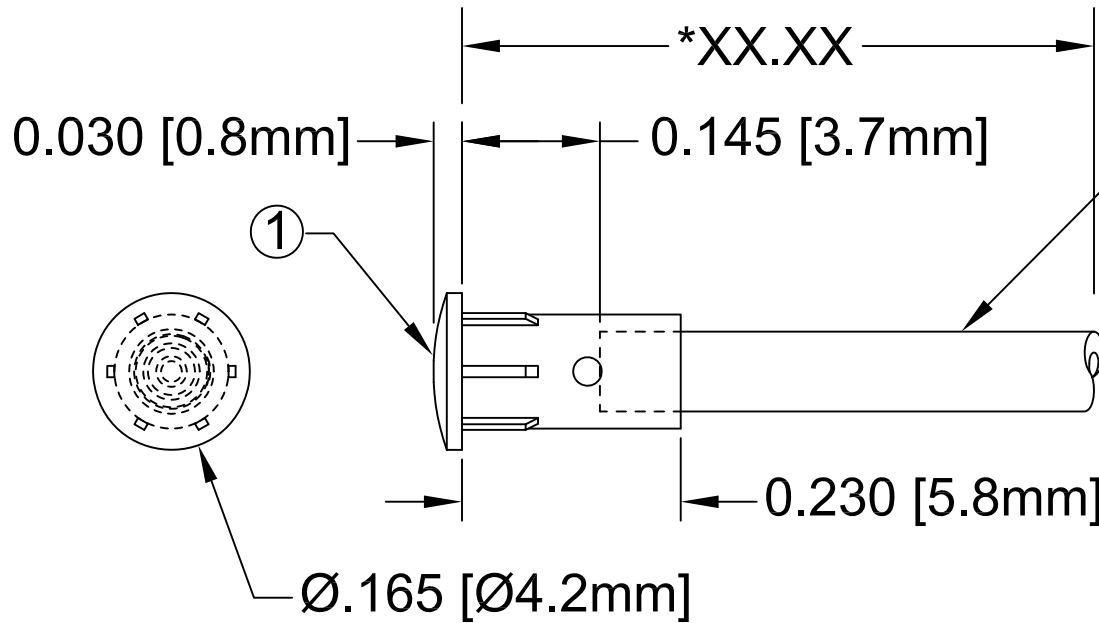
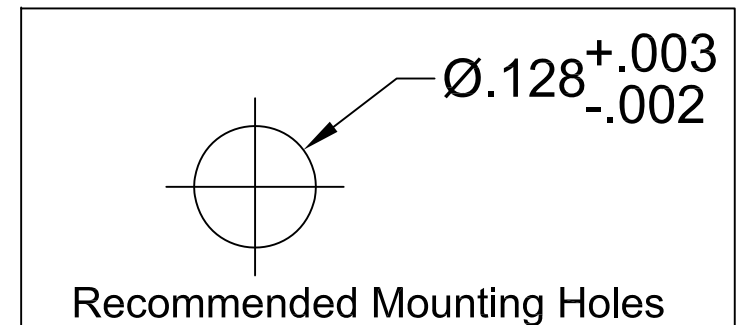


ITEM	Q'TY	PART NUMBER	PART DESCRIPTION
1	1	FLP-LC	HOLDER CAP, FLEXIBLE LIGHT-PIPE
2	1	FLPS1522-X.XXX	1.5mm LIGHT PIPE CABLE, CUT LENGTH IN INCHES


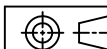
REV.	DESCRIPTION	DATE	APPROVED
A	Engineering Release	04/20/12	T. Y.
B	Updated Fiber IN BOM	12/12/12	T. Y.



*Length "XX.XX"	Tolerance
0.750" ~ 16.000"	±0.050"
16.250" ~ 40.000"	±0.150"
40.250" ~ 80.000"	±0.300"
80.250" ~ 500.0"	±0.5%



*NOTE:
AVAILABLE CUT LENGTH IS UP TO 3 DECIMAL PLACES

STANDARD TOLERANCE (UNLESS OTHERWISE SPECIFIED)		 BIVAR [®] 4 THOMAS, IRVINE, CA. 92618 TEL: (949) 951-8808 FAX: (949) 951-3974	
DECIMALS	ANGULAR		
.X ± .1	X° ± 1°	 TITLE: 4mm Circular Lens Flexible Light Pipe FLPS1522 Indicators	
.XX ± .02			
.XXX ± .010			
DESIGNED: Ty Yin	DATE: 04/20/12	PART NO: PM4-C1522-XX.XX	REVISION: B
CHECKED: B. Oliver	DATE: 04/20/12	CAGE CODE : 32559	SHEET # 1 OF 1
CAD GENERATED DOCUMENT, DO NOT MEASURE DRAWING.			