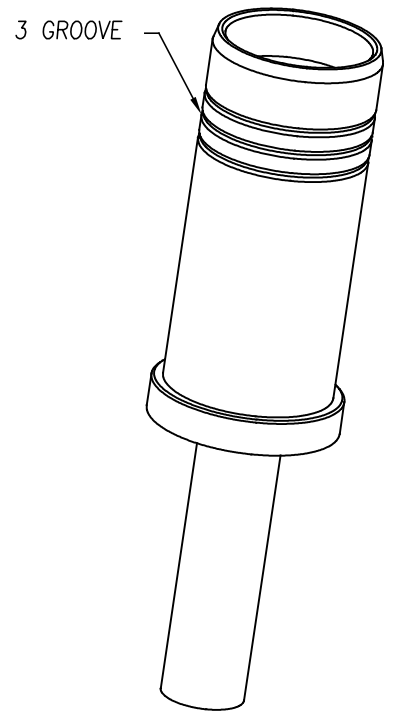
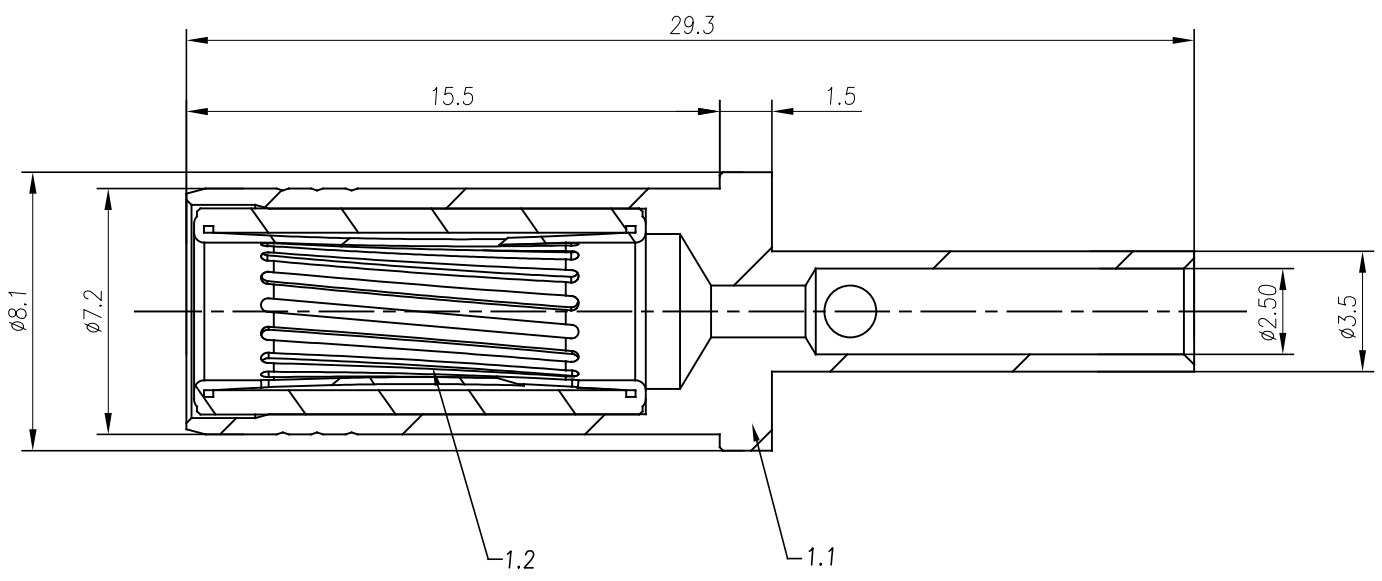


REVISIONS					
REV	ECO	DESCRIPTION	DATE	BY	APPR
A1	-	RELEASED DRAWING	SEP-21-20	BLINK	TOMMY



- NOTES: (UNLESS OTHERWISE SPECIFIED)
- MATERIAL:
    - CONTACT BODY: COPPER ALLOY, SILVER PLATED.
    - RADSOK: COPPER ALLOY, SILVER PLATED.
  - SPECIFICATIONS:
    - CURRENT RATING: 70A(MAX).
    - TERMINATION TYPE: CRIMPING.
    - WIRE RANGE: 14-16AWG .
  - RoHS COMPLIANT.
  - ALL DIMENSIONS ARE FOR REFERENCE USE ONLY.

QUANTITY	PART NUMBER	DESCRIPTION	ITEM
<b>MATERIALS LIST</b>			
UNLESS OTHERWISE SPECIFIED 1) All dimensions are in metric(mm). 2) Tolerances are as follows: 1 PL DEC ±0.30    1 Fractions ±1/64 2 PL DEC ±0.15    Angles ±1° 3 PL DEC ±0.08 3) Note reference =		<b>Amphenol</b> Sine Systems - www.amphenol-sine.com 44724 Morley Drive Clinton Township, MI 48036	
SIGNATURES    DATE DRAWN: BLINK    SEP-21-20 CHECKED: ORION    SEP-23-20 ENGINEER: APPROVAL: TOMMY    SEP-25-20		CUSTOMER: THIS DRAWING IS SUPPLIED FOR INFORMATION ONLY. DESIGN FEATURES, SPECIFICATIONS AND PERFORMANCE DATA SHOWN HEREON ARE THE PROPERTY OF THE AMPHENOL CORPORATION. NO RIGHTS OF REPRODUCTION ARE IMPLIED. ALL DIMENSIONS ARE SUBJECT TO NORMAL MANUFACTURING VARIATIONS.	
MATERIAL SPECIFICATIONS:		SIZE: B    TYPE: C-    DWG NO: SC000532-14-R4    REVISION: A1	
PROCESS SPECIFICATIONS:		SCALE: NONE	
NEXT ASSY:		SHEET 1 OF 1	

TITLE: 4MM FEMALE SOCKET, 14-16AWG  
 DWG NO: SC000532-14-R4  
 REV: A1  
 SH: 1  
 OF: 1