

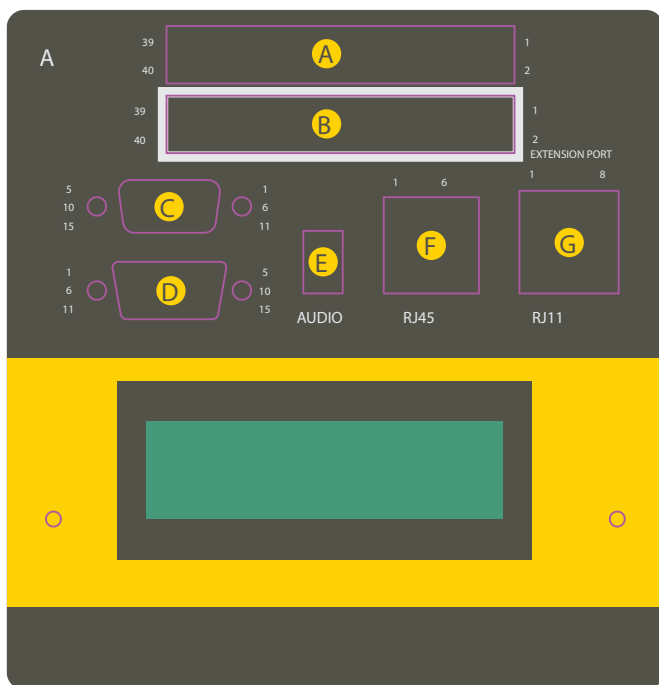
Multi-function Cable and PC Tester Assmann WSW PN: ACT-017-1

Features

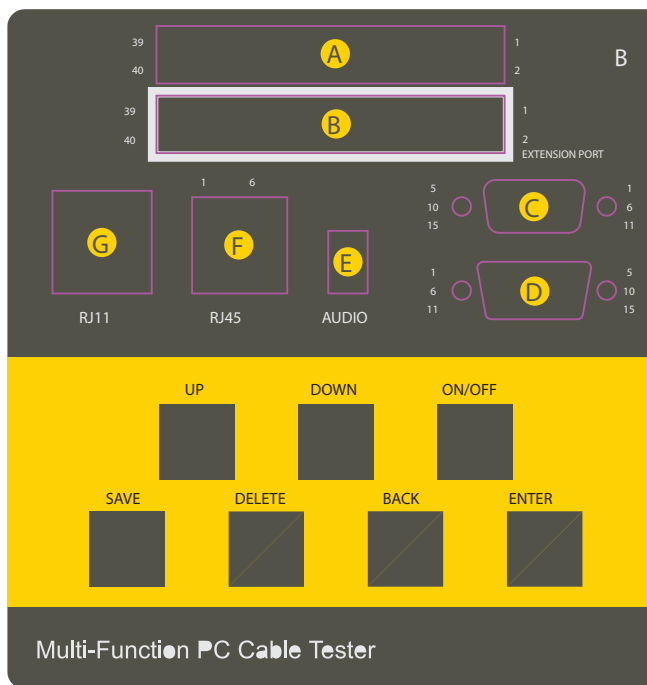
- Identify open, shorted, crossed, and mis-wires connectivity.
- Support 17 types of PC connectors
- Extension port for additional types of cable testing
- 100 test results can be saved and transferred to PC via USB interface
- Alphanumeric LCD display with back light function
- Includes test cable, browse and quick test function
- Low battery indicator

Specifications

Connectors	IDC40, HDB15M/F, Audio, RJ11, RJ45, e-SATAp, SATA, Display port, USB 3.0-A, USB 3.0 power B, USB micro-AB, USB mini-B, HDMI, mini HDMI, micro HDMI, IDC40 extension port
Control switch	On/Off, up, down, save, delete, back and enter
Display	LCD size, 2 rows-16 characters and backlight
Power	DC 9V battery compartment, USB interface for power supply (adapter not included)

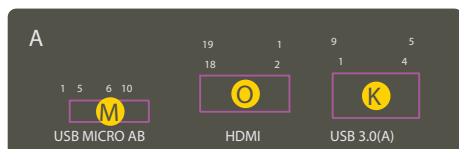


Top panel A

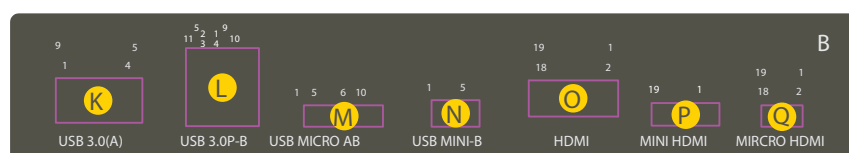


Top panel B

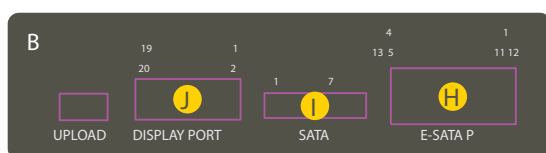
Multi-function Cable and PC Tester Assmann WSW PN: ACT-017-1



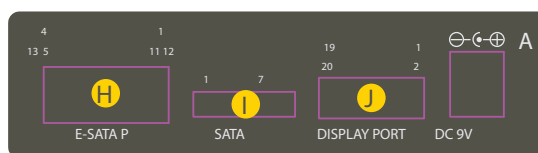
Front panel A



Front panel B



Back panel B



Back panel A

Instructions

Connector cat.	Connector type	Suitable cable
A	IDC40	40 pin IDE and 80 pin ultra IDE cable
B	IDC40 extension	40 pin IDE cable
C	HDB15 female	VGA HDB15 pin cable (male)
D	HDB15 male	VGA HDB15 pin cable (female)
E	Audio	Stereo audio cable (3.5 Φ) (3 pin)
F	RJ11	RJ11 telephone cable (6P6C/6P4C)
G	RJ45	RJ45 network cable (8 pin+shielding)
H	e-SATAp	E-SATA to E-SATA cable, E-SATA to SATA cable, power E-SATA to power E-SATA
I	SATA	SATA to SATA cable, E-SATA to SATA cable
J	Display port	Display port cable
K	USB 3.0-A	USB 3.0-AM to AF extension cable, USB 2.0-AM to AF extension cable, USB 3.0-AM to BM cable, USB 2.0-AM to BM cable, USB 3.0-A to micro-B (5+5 pin), USB 2.0-A to micro-BM (5 pin), USB 2.0-A to micro-AM (5 pin), USB 2.0-A to mini-B cable
L	USB 3.0P-B	USB 3.0-AM to BM cable, USB 2.0-AM to BM cable, USB 2.0-A to micro-BM (5 pin)
M	USB micro-AB	USB 3.0-A to micro-B (5+5 pin), USB 3.0 micro-A to micro-B, USB 2.0-A to micro-AM (5 pin)
N	USB mini-B	USB 2.0-A to mini-B
O	HDMI	HDMI to HDMI cable, HDMI to Mini HDMI cable, HDMI to micro HDMI cable
P	Mini HDMI	HDMI to mini HDMI cable
Q	Micro HDMI	HDMI to micro HDMI cable