

Rochester Electronics Manufactured Components

Rochester branded components are manufactured using either die/wafers purchased from the original suppliers or Rochester wafers recreated from the original IP. All recreations are done with the approval of the OCM.

Parts are tested using original factory test programs or Rochester developed test solutions to guarantee product meets or exceed the OCM data sheet.

Quality Overview

- ISO-9001
- AS9120 certification
- Qualified Manufacturers List (QML) MIL-PRF-35835
 - Class Q Military
 - Class V Space Level
- Qualified Suppliers List of Distributors (QSLD)
 - Rochester is a critical supplier to DLA and meets all industry and DLA standards.

Rochester Electronics, LLC is committed to supplying products that satisfy customer expectations for quality and are equal to those originally supplied by industry manufacturers.

The original manufacturer's datasheet accompanying this document reflects the performance and specifications of the Rochester manufactured version of this device. Rochester Electronics guarantees the performance of its semiconductor products to the original OEM specifications. 'Typical' values are for reference purposes only. Certain minimum or maximum ratings may be based on product characterization, design, simulation, or sample testing.

SN54LS15, SN54S15, SN74LS15, SN74S15

TRIPLE 3-INPUT POSITIVE-AND GATES WITH OPEN-COLLECTOR OUTPUTS

APRIL 1985—REVISED MARCH 1988

- Package Options Include Plastic "Small Outline" Packages, Ceramic Chip Carriers and Flat Packages, and Plastic and Ceramic DIPs
- Dependable Texas Instruments Quality and Reliability

description

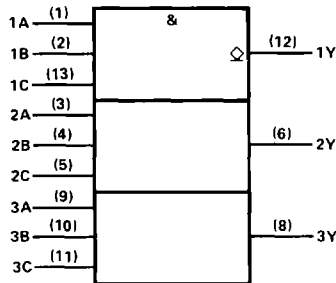
These devices contain three independent 3-input AND gates with open-collector outputs. The open-collector outputs require pull-up resistors to perform correctly. They may be connected to other open-collector outputs to implement active-low wired-OR or active-high wired-AND functions. Open-collector devices are often used to generate high V_{OH} levels.

The SN54LS15 and SN54S15 are characterized for operation over the full military temperature range of -55°C to 125°C . The SN74LS15 and SN74S15 are characterized for operation from 0°C to 70°C .

FUNCTION TABLE (each gate)

| INPUTS | | | OUTPUT |
|--------|---|---|--------|
| A | B | C | Y |
| H | H | H | H |
| L | X | X | L |
| X | L | X | L |
| X | X | L | L |

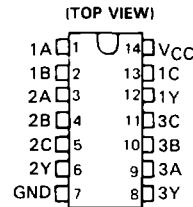
logic symbol†



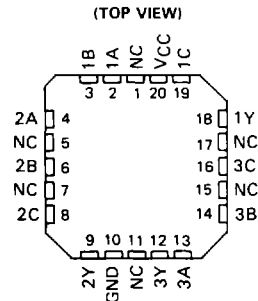
† This symbol is in accordance with ANSI/IEEE Std 91-1984 and IEC Publication 617-12.

Pin numbers shown are for D, J, N, and W packages

SN54LS15, SN54S15 . . . J OR W PACKAGE
SN74LS15, SN74S15 . . . D OR N PACKAGE

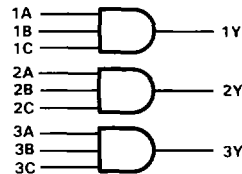


SN54LS15, SN54S15 . . . FK PACKAGE



NC—No internal connection

logic diagram (positive logic)



$$Y = A \cdot B \cdot C \text{ or}$$

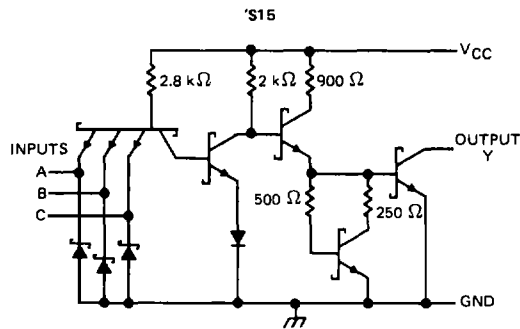
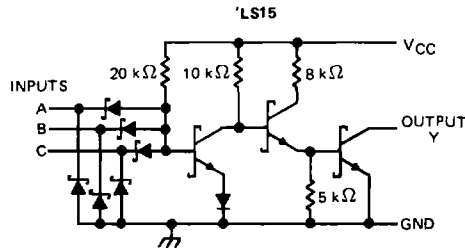
$$Y = \overline{\overline{A} + \overline{B} + \overline{C}}$$

2

TTL Devices

**SN54LS15, SN54S15,
SN74LS15, SN74S15
TRIPLE 3-INPUT POSITIVE-AND GATES WITH OPEN-COLLECTOR OUTPUTS**

schematics (each gate)



Resistor values shown are nominal.

absolute maximum ratings over operating free-air temperature range (unless otherwise noted)

| | |
|---|----------------|
| Supply voltage, V_{CC} (See Note 1) | 7 V |
| Input voltage: 'S15 | 5.5 V |
| 'LS15 | 7 V |
| Off-state output voltage | 7 V |
| Operating free-air temperature range: SN54' | -55°C to 125°C |
| SN74' | 0°C to 70°C |
| Storage temperature range | -65°C to 150°C |

NOTE 1: Voltage values are with respect to network ground terminal.

2

TTL Devices

SN54LS15, SN74LS15

TRIPLE 3-INPUT POSITIVE-AND GATES WITH OPEN-COLLECTOR OUTPUTS

recommended operating conditions

| | SN54LS15 | | | SN74LS15 | | | UNIT |
|---|----------|-----|-----|----------|-----|------|------|
| | MIN | NOM | MAX | MIN | NOM | MAX | |
| V _{CC} Supply voltage | 4.5 | 5 | 5.5 | 4.75 | 5 | 5.25 | V |
| V _{IH} High-level input voltage | 2 | | | 2 | | | V |
| V _{IL} Low-level input voltage | | | 0.7 | | | 0.8 | V |
| V _{OH} High-level output voltage | | | 5.5 | | | 5.5 | V |
| I _{OL} Low-level output current | | | 4 | | | 8 | mA |
| T _A Operating free-air temperature | -55 | | 125 | 0 | | 70 | °C |

electrical characteristics over recommended operating free-air temperature range (unless otherwise noted)

| PARAMETER | TEST CONDITIONS † | SN54LS15 | | SN74LS15 | | UNIT |
|-------------------|---|----------|-------|----------|------|------|
| | | MIN | TYP ‡ | MAX | MIN | |
| V _{IK} | V _{CC} = MIN, I _I = -18 mA | | -1.5 | | -1.5 | V |
| I _{OH} | V _{CC} = MIN, V _{IH} = 2 V, V _{OH} = 5.5 V | | 0.1 | | 0.1 | mA |
| V _{OL} | V _{CC} = MIN, V _{IH} = 2 V, I _{OL} = 4 mA | 0.25 | 0.4 | 0.25 | 0.4 | V |
| | V _{CC} = MIN, V _{IH} = 2 V, I _{OL} = 8 mA | | | 0.35 | 0.5 | |
| I _I | V _{CC} = MAX, V _I = 7 V | | 0.1 | | 0.1 | mA |
| I _{IH} | V _{CC} = MAX, V _I = 2.7 V | | 20 | | 20 | μA |
| I _{IL} | V _{CC} = MAX, V _I = 0.4 V | | -0.4 | | -0.4 | mA |
| I _{CC} H | V _{CC} = MAX, V _I = 4.5 V | 1.8 | 3.6 | 1.8 | 3.6 | mA |
| I _{CC} L | V _{CC} = MAX, V _I = 0 V | 3.3 | 6.6 | 3.3 | 6.6 | mA |

† For conditions shown as MIN or MAX, use the appropriate value specified under recommended operating conditions

‡ All typical values are at V_{CC} = 5 V, T_A = 25°C

switching characteristics, V_{CC} = 5 V, T_A = 25°C (see note 2)

| PARAMETER | FROM (INPUT) | TO (OUTPUT) | TEST CONDITIONS | | MIN | TYP | MAX | UNIT |
|------------------|--------------|-------------|------------------------|------------------------|-----|-----|-----|------|
| t _{PLH} | A, B, or C | Y | R _L = 2 kΩ, | C _L = 15 pF | | 20 | 35 | ns |
| t _{PHL} | | | | | | 17 | 35 | ns |

NOTE 2: Load circuits and voltage waveforms are shown in Section 1

2

TTL Devices

SN54S15, SN74S15

TRIPLE 3-INPUT POSITIVE-AND GATES WITH OPEN-COLLECTOR OUTPUTS

recommended operating conditions

| | SN54S15 | | | SN74S15 | | | UNIT | | |
|---|---------|-----|-----|---------|-----|------|------|----|----|
| | MIN | NOM | MAX | MIN | NOM | MAX | | | |
| V _{CC} Supply voltage | 4.5 | 5 | 5.5 | 4.75 | 5 | 5.25 | V | | |
| V _{IH} High-level input voltage | 2 | | | 2 | | | V | | |
| V _{IL} Low-level input voltage | 0.8 | | | 0.8 | | | V | | |
| V _{OH} High-level output voltage | 5.5 | | | 5.5 | | | V | | |
| I _{OL} Low-level output current | 20 | | | 20 | | | mA | | |
| T _A Operating free-air temperature | - 55 | | | 125 | | | 0 | 70 | °C |

electrical characteristics over recommended operating free-air temperature range (unless otherwise noted)

2

TTL Devices

| PARAMETER | TEST CONDITIONS† | MIN | TYP‡ | MAX | UNIT |
|-------------------|---|-----|------|-------|------|
| V _{IK} | V _{CC} = MIN, I _I = - 18 mA | | | - 1.2 | V |
| I _{OH} | V _{CC} = MIN, V _{IH} = 2 V, V _{OH} = 5.5 V | | | 0.25 | mA |
| V _{OL} | V _{CC} = MIN, V _{IH} = 2 V, I _{OL} = 20 mA | | | 0.5 | V |
| I _I | V _{CC} = MAX, V _I = 5.5 V | | | 1 | mA |
| I _{IH} | V _{CC} = MAX, V _I = 2.7 V | | | 50 | μA |
| I _{IL} | V _{CC} = MAX, V _I = 0.5 V | | | - 2 | mA |
| I _{CCCH} | V _{CC} = MAX, V _I = 4.5 V | | 10.5 | 19.5 | mA |
| I _{CCCL} | V _{CC} = MAX, V _I = 0 V | | 24 | 42 | mA |

† For conditions shown as MIN or MAX, use the appropriate value specified under recommended operating conditions.

‡ All typical values are at V_{CC} = 5 V, T_A = 25°C.

switching characteristics, V_{CC} = 5 V, T_A = 25°C (see note 2)

| PARAMETER | FROM (INPUT) | TO (OUTPUT) | TEST CONDITIONS | MIN | TYP | MAX | UNIT |
|------------------|--------------|-------------|--|-----|-----|-----|------|
| t _{PLH} | A, B, or C | Y | R _L = 280 Ω, C _L = 15 pF | 5 | 5 | 8.5 | ns |
| t _{PHL} | | | | 6 | 6 | 9 | ns |
| t _{PLH} | | | R _L = 280 Ω, C _L = 50 pF | 8.5 | 8.5 | | ns |
| t _{PHL} | | | | 8 | 8 | | ns |

NOTE 2: Load circuits and voltage waveforms are shown in Section 1