

TL4242EVM-543

The TL4242EVM-543 evaluation module is designed to evaluate the TL4242 integrated circuit in a typical LED application. This user's guide provides a connector and test point description, the schematic of the EVM, bill of materials, and board layout.

Contents

1	Introduction	2
1.1	Description	2
1.2	Applications	2
1.3	Features	2
2	TL4242EVM-543 Schematic	2
3	Connector and Test Point Descriptions	3
3.1	Enable Jumpers/Switches	3
4	TL4242EVM Assembly Drawings and Layout	4
4.1	Board Design and Layout	4
4.2	Power Dissipation and Thermal Considerations	6
5	Bill of Materials	7

List of Figures

1	TL4242EVM-543 Schematic.....	3
2	TL4242EVM-543 Component Placement (Viewed From Top).....	5
3	TL4242EVM-543 Top Copper (Viewed From Top).....	5
4	TL4242EVM-543 Bottom Copper (Viewed From Bottom)	5
5	TL4242EVM-543 Maximum V_{in} vs LED Current	7
6	TL4242EVM-543 Top Infrared at $V_{in} = 12\text{ V}$, $I_{LED} = 357\text{ mA}$ (Viewed From Top)	7

List of Tables

1	Bill of Materials	7
---	-------------------------	---

1 Introduction

Texas Instruments TL4242EVM-543 evaluation module contains a TL4242 integrated circuit (IC), supporting passive components and three OSRAM LEDs in series. The purpose of this EVM is to facilitate evaluation of the TL4242 in a typical LED application.

1.1 Description

The Texas Instruments TL4242EVM-543 evaluation module (EVM) helps designers evaluate the operation and performance of the TL4242. This device is an integrated, adjustable, constant-current source, driving loads up to 500 mA. The output current can be adjusted via an external resistor. The device is designed to supply high-power LEDs under the severe conditions of automotive applications and architectural lighting.

The TL4242 IC is capable of operating at input voltages up to 42 V. Due to thermal considerations, the EVM may not allow an input voltage this high. Section 4.2 provides more details.

1.2 Applications

- Automotive applications
- Architectural lighting

1.3 Features

- Adjustable constant current up to 500 mA ($\pm 5\%$)
- Wide input voltage range up to 42 V
- Low drop voltage
- Open-load detection
- Overtemperature protection
- Short-circuit proof
- Reverse-polarity proof
- Wide temperature range: -40°C to 150°C
- Additional key features of the EVM (not IC features)
 - Adjustable LED current

2 TL4242EVM-543 Schematic

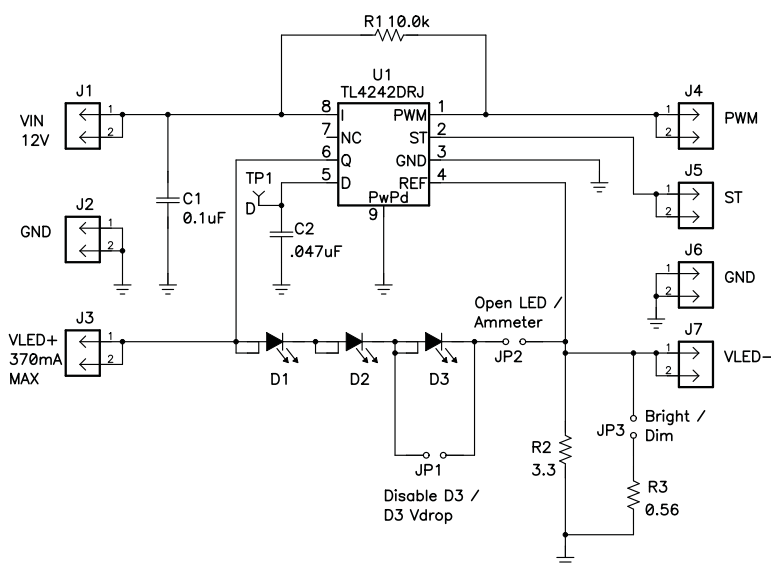


Figure 1. TL4242EVM-543 Schematic

3 Connector and Test Point Descriptions

3.1 Enable Jumpers/Switches

3.1.1 J1 – V_{IN}

This is the positive input supply voltage.

3.1.2 J2 – GND

This is the return connection to the input power supply.

3.1.3 J3 – VLED+

When using external LEDs, connect anode to VLED+.

3.1.4 J4 – PWM

This is a high-impedance input to the TL4242 IC. When this signal is logic high, the output is enabled. When this signal is logic low, the output is disabled. Leaving the pin open defaults it to logic high.

3.1.5 J5 – ST

The status output of the LED driver (ST) detects an open-load condition, enabling supervision of correct LED operation.

3.1.6 J6 – GND

This is the return connection for PWM and ST pins.

3.1.7 J7 – VLED–

When using external LEDs, connect cathode to VLED–.

3.1.8 JP1 – Disable D3

When installed, D3 is shorted, allowing the user to evaluate performance with two LEDs.

3.1.9 JP2 – Open LED

When removed, JP2 allows the user to evaluate external LEDs.

3.1.10 JP3 – Bright/Dim

This jumper switches between the bright and dim settings of the LEDs. When shorted, the bright setting is activated.

4 TL4242EVM Assembly Drawings and Layout

4.1 Board Design and Layout

The following figures (Figure 2 through Figure 4) show the design of the TL4242EVM-543 printed-circuit board (PCB). The EVM has been designed using a two-layer, 2-oz, copper-clad circuit board 2.75 in. × 3.2 in. with all components in an active area on the top side and all active traces to the top and bottom layers to allow the user to easily view, probe, and evaluate the TL4242 control IC in a practical double-sided application. Moving components to both sides of the PCB or using additional internal layers can offer additional size reduction for space constrained systems.

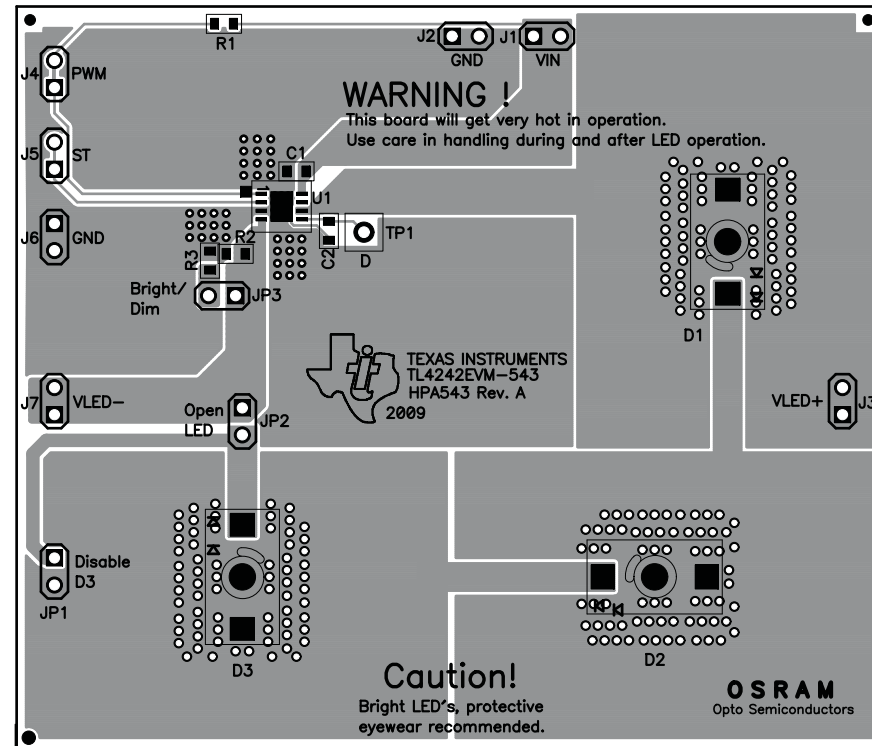


Figure 2. TL4242EVM-543 Component Placement (Viewed From Top)

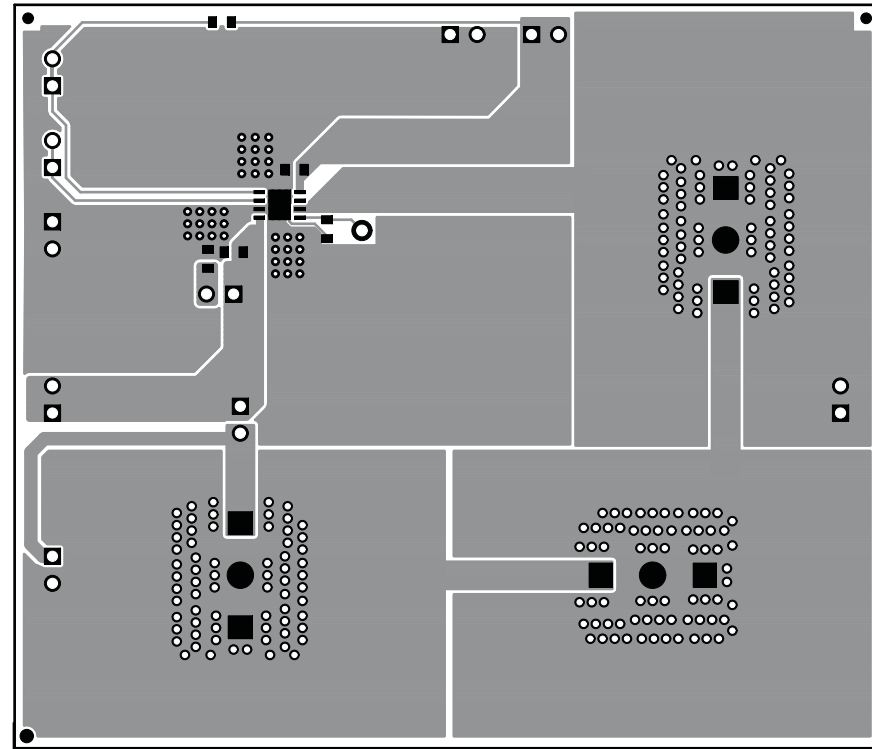


Figure 3. TL4242EVM-543 Top Copper (Viewed From Top)

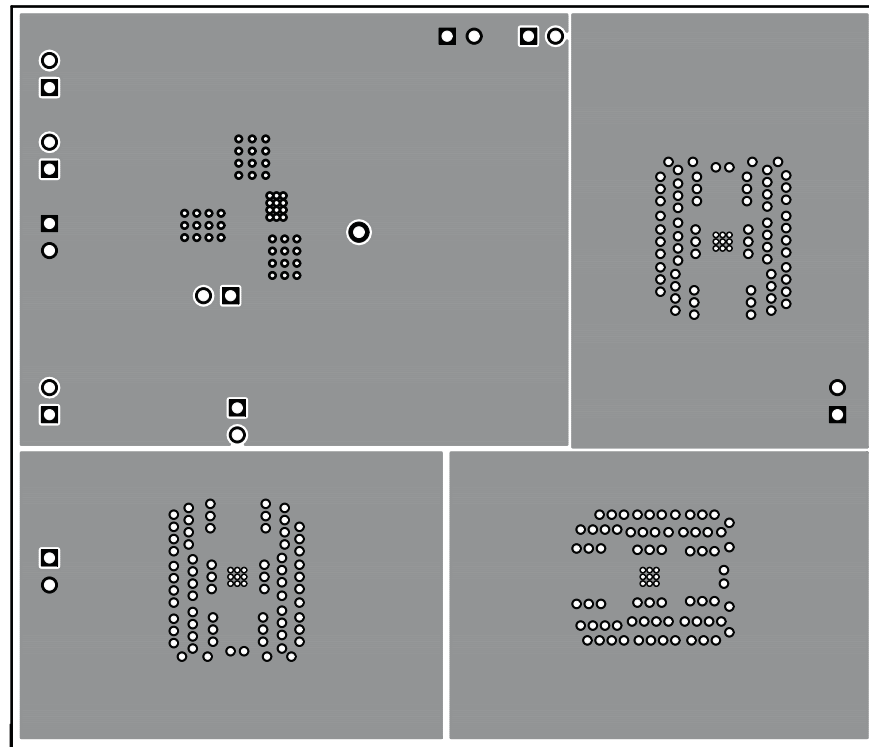


Figure 4. TL4242EVM-543 Bottom Copper (Viewed From Bottom)

4.2 Power Dissipation and Thermal Considerations

Figure 6 illustrates the thermal performance of the TL4242EVM-543 at 357-mA output current and 12-V input. Under these conditions, the maximum temperature on the EVM is 58.4°C at the IC junction. The power dissipation of the IC is described by Equation 1.

$$P_{IC} = [V_{in} - n \times V_{LED} - V_{REF}] \times I_{LEDs} \times D + V_{in} \times I_q \quad (1)$$

Where:

- n = Number of LEDs
- V_{LED} = Voltage drop across one LED
- V_{REF} = Reference voltage, typically 177 mV
- D = Duty cycle (0-1) of the PWM signal applied to J4
- I_q = TL4242 quiescent current

In order to manage the power dissipation, the voltage drop, $(V_{in} - n \times V_{LED} - V_{REF})$, of the IC needs to be controlled, especially at high currents. Figure 5 illustrates the maximum input voltages at various LED currents to limit the IC junction temperature to 140°C. If input voltages greater than these are desired, the customer can add external LEDs to reduce the voltage drop across the IC. Another option is to incorporate a heat-sinking mechanism to the EVM.

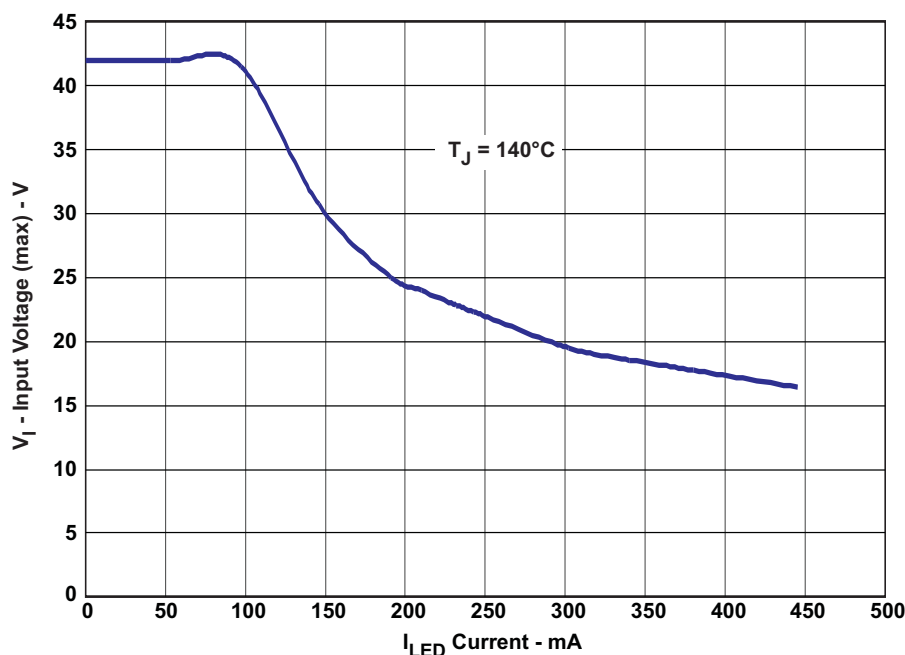


Figure 5. TL4242EVM-543 Maximum Vin vs LED Current



Figure 6. TL4242EVM-543 Top Infrared at $V_{in} = 12\text{ V}$, $I_{LED} = 357\text{ mA}$ (Viewed From Top)

5 Bill of Materials

Table 1. Bill of Materials

Qty	Ref Des	Value	Description	Size	MFR	Part Number
1	C1	100nF	Capacitor, Ceramic, Low Inductance, 50 V, X5R, 20%	0603	Std	Std
1	C2	47nF	Capacitor, Ceramic, Low Inductance, 16 V, X5R, 10%	0603	Std	Std
3	D1, D2, D3	LW W5SM-xxxx-5K8L	Diode, LED White, 500-mA, 1x000-mcd	0.244 x 0.441 in.	Osram	LW W5SM-xxxx-5K8L
7	J1 - J7	PEC02SAAN	Header, 2 pin, 100mil spacing	0.100 in. x 2	Sullins	PEC02SAAN
3	JP1, JP2, JP3	PEC02SAAN	Header, 2 pin, 100mil spacing	0.100 in. x 2	Sullins	PEC02SAAN
1	R1	10k	Resistor, Chip, 1/16W, 1%	0603	Std	Std
1	R2	3.3	Resistor, Chip, 1/16W, 1%	0603	Std	Std
1	R3	0.56	Resistor, Chip, 1/16W, 1%	0603	Std	Std
1	U1	TL4242DRJ	IC, Adj. LED Driver	WSON	TI	TI4242DRJ

EVALUATION BOARD/KIT IMPORTANT NOTICE

Texas Instruments (TI) provides the enclosed product(s) under the following conditions:

This evaluation board/kit is intended for use for **ENGINEERING DEVELOPMENT, DEMONSTRATION, OR EVALUATION PURPOSES ONLY** and is not considered by TI to be a finished end-product fit for general consumer use. Persons handling the product(s) must have electronics training and observe good engineering practice standards. As such, the goods being provided are not intended to be complete in terms of required design-, marketing-, and/or manufacturing-related protective considerations, including product safety and environmental measures typically found in end products that incorporate such semiconductor components or circuit boards. This evaluation board/kit does not fall within the scope of the European Union directives regarding electromagnetic compatibility, restricted substances (RoHS), recycling (WEEE), FCC, CE or UL, and therefore may not meet the technical requirements of these directives or other related directives.

Should this evaluation board/kit not meet the specifications indicated in the User's Guide, the board/kit may be returned within 30 days from the date of delivery for a full refund. **THE FOREGOING WARRANTY IS THE EXCLUSIVE WARRANTY MADE BY SELLER TO BUYER AND IS IN LIEU OF ALL OTHER WARRANTIES, EXPRESSED, IMPLIED, OR STATUTORY, INCLUDING ANY WARRANTY OF MERCHANTABILITY OR FITNESS FOR ANY PARTICULAR PURPOSE.**

The user assumes all responsibility and liability for proper and safe handling of the goods. Further, the user indemnifies TI from all claims arising from the handling or use of the goods. Due to the open construction of the product, it is the user's responsibility to take any and all appropriate precautions with regard to electrostatic discharge.

EXCEPT TO THE EXTENT OF THE INDEMNITY SET FORTH ABOVE, NEITHER PARTY SHALL BE LIABLE TO THE OTHER FOR ANY INDIRECT, SPECIAL, INCIDENTAL, OR CONSEQUENTIAL DAMAGES.

TI currently deals with a variety of customers for products, and therefore our arrangement with the user **is not exclusive**.

TI assumes **no liability for applications assistance, customer product design, software performance, or infringement of patents or services described herein**.

Please read the User's Guide and, specifically, the Warnings and Restrictions notice in the User's Guide prior to handling the product. This notice contains important safety information about temperatures and voltages. For additional information on TI's environmental and/or safety programs, please contact the TI application engineer or visit www.ti.com/esh.

No license is granted under any patent right or other intellectual property right of TI covering or relating to any machine, process, or combination in which such TI products or services might be or are used.

FCC Warning

This evaluation board/kit is intended for use for **ENGINEERING DEVELOPMENT, DEMONSTRATION, OR EVALUATION PURPOSES ONLY** and is not considered by TI to be a finished end-product fit for general consumer use. It generates, uses, and can radiate radio frequency energy and has not been tested for compliance with the limits of computing devices pursuant to part 15 of FCC rules, which are designed to provide reasonable protection against radio frequency interference. Operation of this equipment in other environments may cause interference with radio communications, in which case the user at his own expense will be required to take whatever measures may be required to correct this interference.

EVM WARNINGS AND RESTRICTIONS

It is important to operate this EVM within the input voltage range of 2.9 V to 15 V. Maximum output voltage is 42 V.

Exceeding the specified input range may cause unexpected operation and/or irreversible damage to the EVM. If there are questions concerning the input range, please contact a TI field representative prior to connecting the input power.

The EVM printed circuit board gets very hot during operation. Use care in handling during and after LED operation. WLEDs are very bright; protective eye wear is recommended.

Applying loads outside of the specified output range may result in unintended operation and/or possible permanent damage to the EVM. Please consult the EVM User's Guide prior to connecting any load to the EVM output. If there is uncertainty as to the load specification, please contact a TI field representative.

During normal operation, some circuit components may have case temperatures greater than 160°C. The EVM is designed to operate properly with certain components above 160°C as long as the input and output ranges are maintained. These components include but are not limited to linear regulators, switching transistors, pass transistors, and current sense resistors. These types of devices can be identified using the EVM schematic located in the EVM User's Guide. When placing measurement probes near these devices during operation, please be aware that these devices may be very warm to the touch.

Mailing Address: Texas Instruments, Post Office Box 655303, Dallas, Texas 75265
Copyright © 2009, Texas Instruments Incorporated

IMPORTANT NOTICE

Texas Instruments Incorporated and its subsidiaries (TI) reserve the right to make corrections, modifications, enhancements, improvements, and other changes to its products and services at any time and to discontinue any product or service without notice. Customers should obtain the latest relevant information before placing orders and should verify that such information is current and complete. All products are sold subject to TI's terms and conditions of sale supplied at the time of order acknowledgment.

TI warrants performance of its hardware products to the specifications applicable at the time of sale in accordance with TI's standard warranty. Testing and other quality control techniques are used to the extent TI deems necessary to support this warranty. Except where mandated by government requirements, testing of all parameters of each product is not necessarily performed.

TI assumes no liability for applications assistance or customer product design. Customers are responsible for their products and applications using TI components. To minimize the risks associated with customer products and applications, customers should provide adequate design and operating safeguards.

TI does not warrant or represent that any license, either express or implied, is granted under any TI patent right, copyright, mask work right, or other TI intellectual property right relating to any combination, machine, or process in which TI products or services are used. Information published by TI regarding third-party products or services does not constitute a license from TI to use such products or services or a warranty or endorsement thereof. Use of such information may require a license from a third party under the patents or other intellectual property of the third party, or a license from TI under the patents or other intellectual property of TI.

Reproduction of TI information in TI data books or data sheets is permissible only if reproduction is without alteration and is accompanied by all associated warranties, conditions, limitations, and notices. Reproduction of this information with alteration is an unfair and deceptive business practice. TI is not responsible or liable for such altered documentation. Information of third parties may be subject to additional restrictions.

Resale of TI products or services with statements different from or beyond the parameters stated by TI for that product or service voids all express and any implied warranties for the associated TI product or service and is an unfair and deceptive business practice. TI is not responsible or liable for any such statements.

TI products are not authorized for use in safety-critical applications (such as life support) where a failure of the TI product would reasonably be expected to cause severe personal injury or death, unless officers of the parties have executed an agreement specifically governing such use. Buyers represent that they have all necessary expertise in the safety and regulatory ramifications of their applications, and acknowledge and agree that they are solely responsible for all legal, regulatory and safety-related requirements concerning their products and any use of TI products in such safety-critical applications, notwithstanding any applications-related information or support that may be provided by TI. Further, Buyers must fully indemnify TI and its representatives against any damages arising out of the use of TI products in such safety-critical applications.

TI products are neither designed nor intended for use in military/aerospace applications or environments unless the TI products are specifically designated by TI as military-grade or "enhanced plastic." Only products designated by TI as military-grade meet military specifications. Buyers acknowledge and agree that any such use of TI products which TI has not designated as military-grade is solely at the Buyer's risk, and that they are solely responsible for compliance with all legal and regulatory requirements in connection with such use.

TI products are neither designed nor intended for use in automotive applications or environments unless the specific TI products are designated by TI as compliant with ISO/TS 16949 requirements. Buyers acknowledge and agree that, if they use any non-designated products in automotive applications, TI will not be responsible for any failure to meet such requirements.

Following are URLs where you can obtain information on other Texas Instruments products and application solutions:

Products

Amplifiers	amplifier.ti.com
Data Converters	dataconverter.ti.com
DLP® Products	www.dlp.com
DSP	dsp.ti.com
Clocks and Timers	www.ti.com/clocks
Interface	interface.ti.com
Logic	logic.ti.com
Power Mgmt	power.ti.com
Microcontrollers	microcontroller.ti.com
RFID	www.ti-rfid.com
RF/IF and ZigBee® Solutions	www.ti.com/lprf

Applications

Audio	www.ti.com/audio
Automotive	www.ti.com/automotive
Broadband	www.ti.com/broadband
Digital Control	www.ti.com/digitalcontrol
Medical	www.ti.com/medical
Military	www.ti.com/military
Optical Networking	www.ti.com/opticalnetwork
Security	www.ti.com/security
Telephony	www.ti.com/telephony
Video & Imaging	www.ti.com/video
Wireless	www.ti.com/wireless

Mailing Address: Texas Instruments, Post Office Box 655303, Dallas, Texas 75265
Copyright © 2009, Texas Instruments Incorporated