

ULTRA LOW JITTER CRYSTAL OSCILLATOR (XO)

Features

- Available with select frequencies from 100 MHz to 312.5 MHz
- 3rd generation DSPLL[®] with superior jitter performance and high-power supply noise rejection
- 3x better frequency stability than SAW-based oscillators
- Available with LVPECL and LVDS outputs
- 3.3 and 2.5 V supply options
- Industry-standard 5 x 7 mm package and pinout
- Pb-free/RoHS-compliant

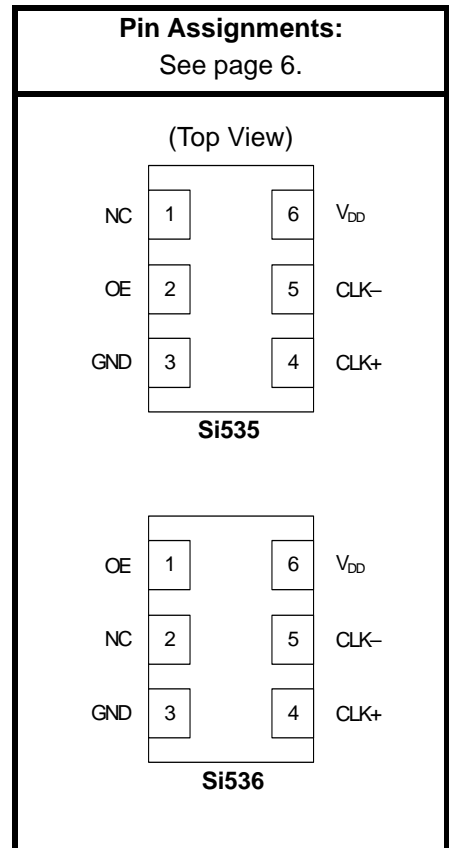
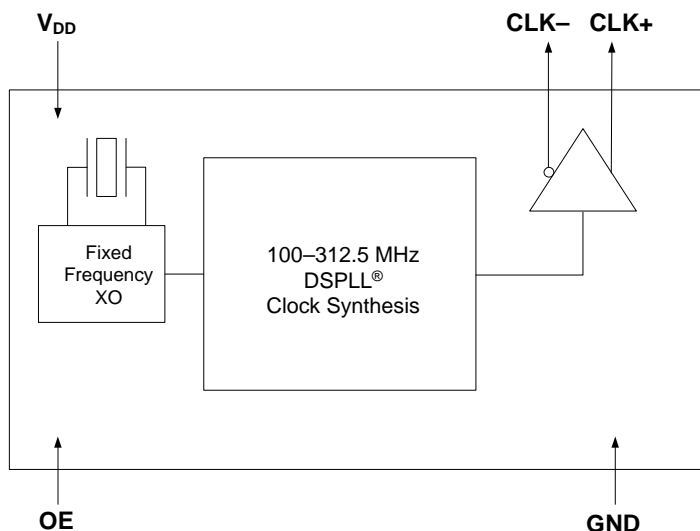
Applications

- 10/40/100G data centers
- 10G Ethernet switches/routers
- Fibre channel/SAS/storage
- Enterprise servers
- Networking
- Telecommunications

Description

The Si535/536 XO utilizes Skyworks Solutions' advanced DSPLL[®] circuitry to provide an ultra low jitter clock at high-speed differential frequencies. Unlike a traditional XO, where a different crystal is required for each output frequency, the Si535/536 uses one fixed crystal to provide a wide range of output frequencies. This IC based approach allows the crystal resonator to provide exceptional frequency stability and reliability. In addition, DSPLL clock synthesis provides superior supply noise rejection, simplifying the task of generating low jitter clocks in noisy environments typically found in communication systems. The Si535/536 IC based XO is factory programmed at time of shipment, thereby eliminating long lead times associated with custom oscillators.

Functional Block Diagram



Si535/536

1. Electrical Specifications

Table 1. Recommended Operating Conditions

Parameter	Symbol	Test Condition	Min	Typ	Max	Unit
Supply Voltage ¹	V _{DD}	3.3 V option	2.97	3.3	3.63	V
		2.5 V option	2.25	2.5	2.75	V
Supply Current	I _{DD}	Output enabled LVPECL	—	111	121	mA
		LVDS	—	90	98	
		Tristate mode	—	60	75	mA
Output Enable (OE) ²		V _{IH}	0.75 x V _{DD}	—	—	V
		V _{IL}	—	—	0.5	V
Operating Temperature Range	T _A		-40	—	85	°C

Notes:

- Selectable parameter specified by part number. See Section 3. "Ordering Information" on page 7 for further details.
- OE pin includes a 17 kΩ pullup resistor to V_{DD}.

Table 2. CLK± Output Frequency Characteristics

Parameter	Symbol	Test Condition	Min	Typ	Max	Unit
Nominal Frequency ¹	f _O	LVPECL/LVDS	100	—	312.5	MHz
Initial Accuracy	f _i	Measured at +25 °C at time of shipping	—	±1.5	—	ppm
Temperature Stability ^{1,2}			-7 -20	— —	+7 +20	ppm
Aging	f _a	Frequency drift over first year	—	—	±3	ppm
		Frequency drift over 20 year life	—	—	±10	ppm
Total Stability ²		Temp stability = ±20 ppm	—	—	±31.5	ppm
		Temp stability = ±7 ppm	—	—	20	
Powerup Time ³	t _{OSC}	T _A = -40°C — +85°C	—	—	10	ms

Notes:

- See Section 3. "Ordering Information" on page 7 for the list of available frequencies.
- Selectable parameter specified by part number.
- Time from powerup or tristate mode to f_O.

Table 3. CLK± Output Levels and Symmetry

Parameter	Symbol	Test Condition	Min	Typ	Max	Unit
LVPECL Output Option ¹	V _O	Mid-level	V _{DD} - 1.42	—	V _{DD} - 1.25	V
	V _{OD}	Swing (diff)	1.1	—	1.9	V _{PP}
	V _{SE}	Swing (Single-ended)	0.55	—	0.95	V _{PP}
LVDS Output Option ²	V _O	Mid-level	1.125	1.20	1.275	V
	V _{OD}	Swing (diff)	0.5	0.7	0.9	V _{PP}
Rise/Fall time (20/80%)	t _R , t _F		—	—	350	ps
Symmetry (duty cycle)	SYM	Differential	45	—	55	%
Notes:						
1. 50 Ω to V _{DD} - 2.0 V.						
2. R _{term} = 100 Ω (differential).						

Si535/536

Table 4. CLK± Output Phase Jitter

Parameter	Symbol	Test Condition	Min	Typ	Max	Unit
LVPECL/LVDS Phase Jitter* (RMS)	ϕ_J	10 kHz to 1 MHz (data center)	—	0.19	0.35	ps
		12 kHz to 20 MHz brickwall	—	0.25	0.40	ps

***Note:** Applies to output frequencies: 156.25 MHz.

Table 5. CLK± Output Period Jitter

Parameter	Symbol	Test Condition	Min	Typ	Max	Unit
LVPECL/LVDS Period Jitter*	J_{PER}	RMS	—	2	—	ps
		Peak-to-Peak	—	14	—	ps

***Note:** N = 1000 cycles.

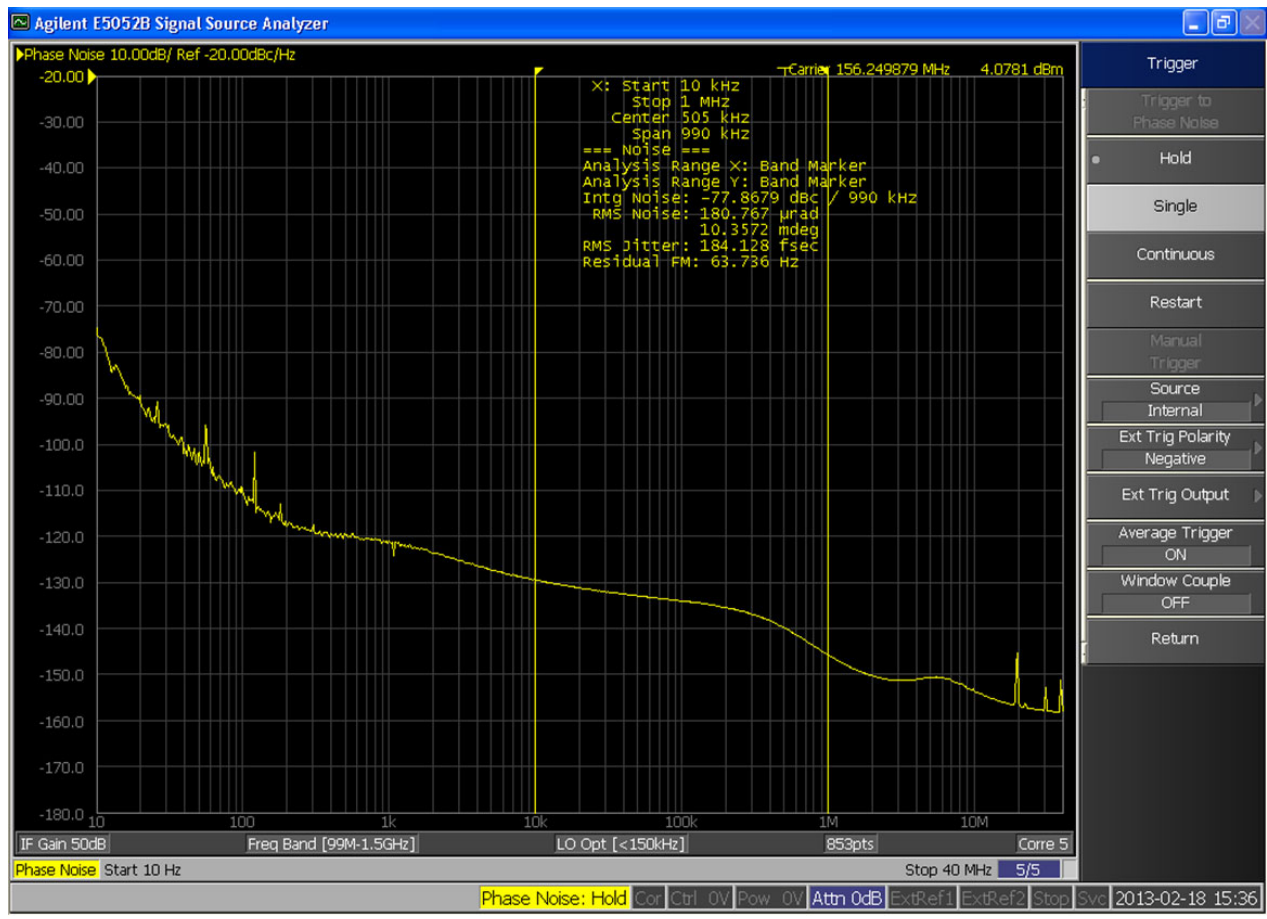


Figure 1. Si535/536 Typical Phase Noise at 156.25 MHz

Table 6. Environmental Compliance

The Si535/536 meets the following qualification test requirements.

Parameter	Conditions/Test Method
Mechanical Shock	MIL-STD-883, Method 2002
Mechanical Vibration	MIL-STD-883, Method 2007
Solderability	MIL-STD-883, Method 2003
Gross & Fine Leak	MIL-STD-883, Method 1014
Resistance to Solder Heat	MIL-STD-883, Method 2036
Moisture Sensitivity Level	J-STD-020, MSL1
Contact Pads	Gold over Nickel

Table 7. Thermal Characteristics

(Typical values $T_A = 25\text{ }^\circ\text{C}$, $V_{DD} = 3.3\text{ V}$)

Parameter	Symbol	Test Condition	Min	Typ	Max	Unit
Thermal Resistance Junction to Ambient	θ_{JA}	Still Air	—	84.6	—	$^\circ\text{C/W}$
Thermal Resistance Junction to Case	θ_{JC}	Still Air	—	38.8	—	$^\circ\text{C/W}$
Ambient Temperature	T_A		-40	—	85	$^\circ\text{C}$
Junction Temperature	T_J		—	—	125	$^\circ\text{C}$

Table 8. Absolute Maximum Ratings¹

Parameter	Symbol	Rating	Unit
Maximum Operating Temperature	T_{AMAX}	85	$^\circ\text{C}$
Supply Voltage, 2.5/3.3 V Option	V_{DD}	-0.5 to +3.8	V
Input Voltage (any input pin)	V_I	-0.5 to $V_{DD} + 0.3$	V
Storage Temperature	T_S	-55 to +125	$^\circ\text{C}$
ESD Sensitivity (HBM, per JESD22-A114)	ESD	2500	V
Soldering Temperature (Pb-free profile) ²	T_{PEAK}	260	$^\circ\text{C}$
Soldering Temperature Time @ T_{PEAK} (Pb-free profile) ²	t_P	20–40	seconds

Notes:

- Stresses beyond those listed in Absolute Maximum Ratings may cause permanent damage to the device. Functional operation or specification compliance is not implied at these conditions. Exposure to maximum rating conditions for extended periods may affect device reliability.
- The device is compliant with JEDEC J-STD-020C. Refer to Si5xx Packaging FAQ available for download at https://www.skyworksinc.com/Product_Certificate.aspx for further information, including soldering profiles.

Si535/536

2. Pin Descriptions

(Top View)

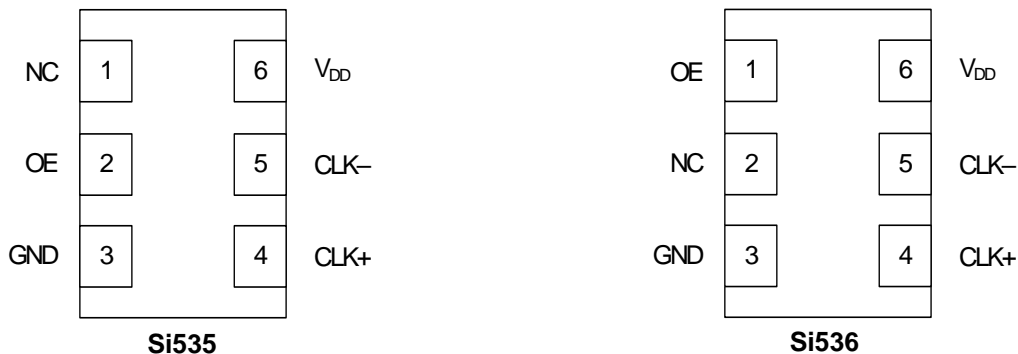


Table 9. Pinout for Si535 Series

Pin	Symbol	Function
1	NC	No connection
2	OE	Output enable 0 = clock output disabled (outputs tristated) 1 = clock output enabled
3	GND	Electrical and Case Ground
4	CLK+	Oscillator Output
5	CLK-	Complementary Output
6	V _{DD}	Power Supply Voltage

***Note:** OE includes a 17 kΩ pullup resistor to V_{DD}.

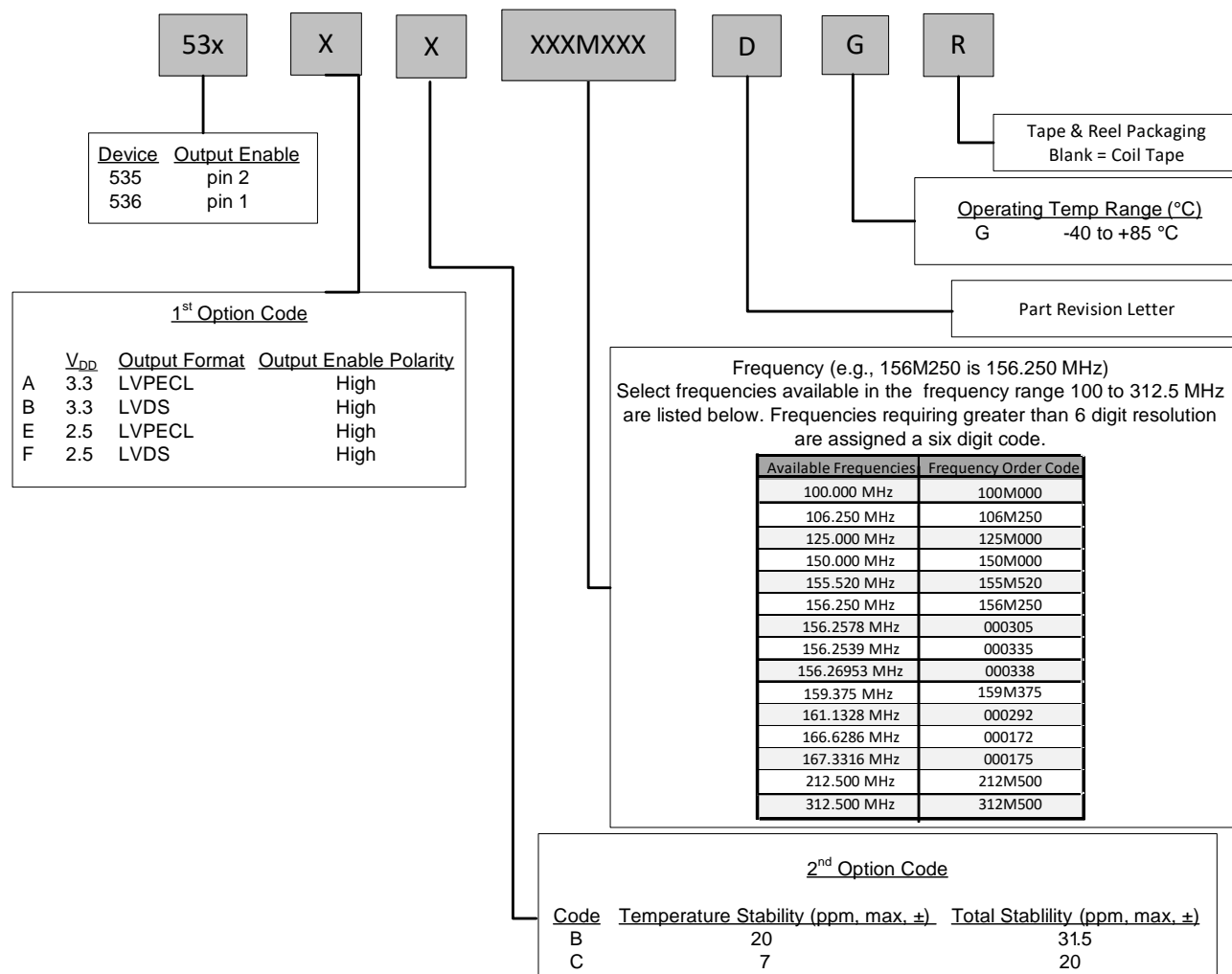
Table 10. Pinout for Si536 Series

Pin	Symbol	Function
1	OE	Output enable 0 = clock output disabled (outputs tristated) 1 = clock output enabled
2	No connection	No connection
3	GND	Electrical and Case Ground
4	CLK+	Oscillator Output
5	CLK-	Complementary output
6	V _{DD}	Power Supply Voltage

***Note:** OE includes a 17 kΩ pullup resistor to V_{DD}.

3. Ordering Information

The Si535/536 XO supports a variety of options including frequency, temperature stability, output format, and V_{DD} . The Si535 and Si536 XO series are supplied in an industry-standard, RoHS compliant, 6-pad, 5 x 7 mm package. The Si536 Series supports an alternate OE pinout (pin #1) for the LVPECL and LVDS output formats. See Tables 9 and 10 for the pinout differences between the Si535 and Si536 series.



Example P/N: 535AB156M250DGR is a 5 x 7 XO in a 6 pad package. The frequency is 156.250 MHz, with a 3.3 V supply, LVPECL output, and Output Enable active high polarity. Temperature stability is specified as ± 20 ppm. The part is specified for -40 to $+85$ °C ambient temperature range operation and is shipped in tape and reel format.

Figure 2. Part Number Convention

4. Package Outline

Figure 3 illustrates the package details for the Si535/536. Table 11 lists the values for the dimensions shown in the illustration.

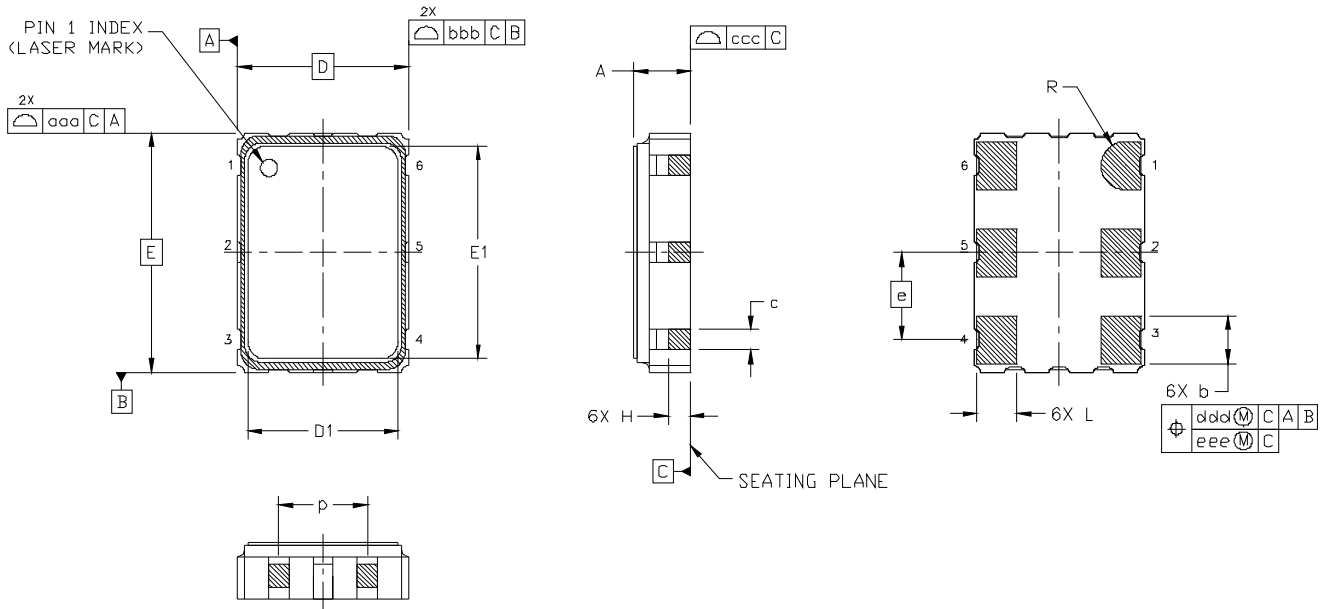


Figure 3. Si535/536 Outline Diagram

Table 11. Package Diagram Dimensions (mm)

Dimension	Min	Nom	Max
A	1.50	1.65	1.80
b	1.30	1.40	1.50
c	0.50	0.60	0.70
D	5.00 BSC		
D1	4.30	4.40	4.50
e	2.54 BSC		
E	7.00 BSC		
E1	6.10	6.20	6.30
H	0.55	0.65	0.75
L	1.17	1.27	1.37
p	1.80	—	2.60
R	0.70 REF		
aaa	0.15		
bbb	0.15		
ccc	0.10		
ddd	0.10		
eee	0.05		

5. 6-Pin PCB Land Pattern

Figure 4 illustrates the 6-pin PCB land pattern for the Si535/536. Table 12 lists the values for the dimensions shown in the illustration.

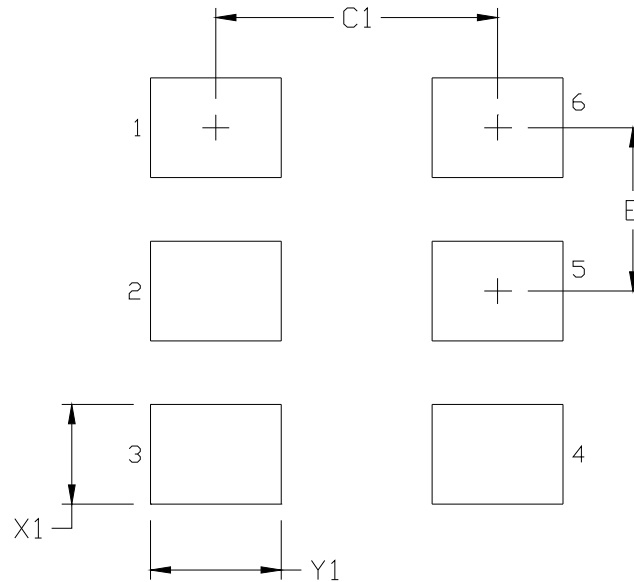


Figure 4. Si535/536 PCB Land Pattern

Table 12. PCB Land Pattern Dimensions (mm)

Dimension	Min
C1	4.20
E	2.54
X1	1.55
Y1	1.95

Notes:

General

1. All dimensions shown are in millimeters (mm) unless otherwise noted.
2. Dimensioning and Tolerancing is per the ANSI Y14.5M-1994 specification.
3. This Land Pattern Design is based on the IPC-7351 guidelines.
4. All dimensions shown are at Maximum Material Condition (MMC). Least Material Condition (LMC) is calculated based on a Fabrication Allowance of 0.05 mm.

Solder Mask Design

1. All metal pads are to be non-solder mask defined (NSMD). Clearance between the solder mask and the metal pad is to be 60 μ m minimum, all the way around the pad.

Stencil Design

1. A stainless steel, laser-cut and electro-polished stencil with trapezoidal walls should be used to assure good solder paste release.
2. The stencil thickness should be 0.125 mm (5 mils).
3. The ratio of stencil aperture to land pad size should be 1:1.

Card Assembly

1. A No-Clean, Type-3 solder paste is recommended.
2. The recommended card reflow profile is per the JEDEC/IPC J-STD-020 specification for Small Body Components.

Si535/536

6. Si535/Si536 Mark Specification

Figure 5 illustrates the mark specification for the Si535/Si536. Table 13 lists the line information.

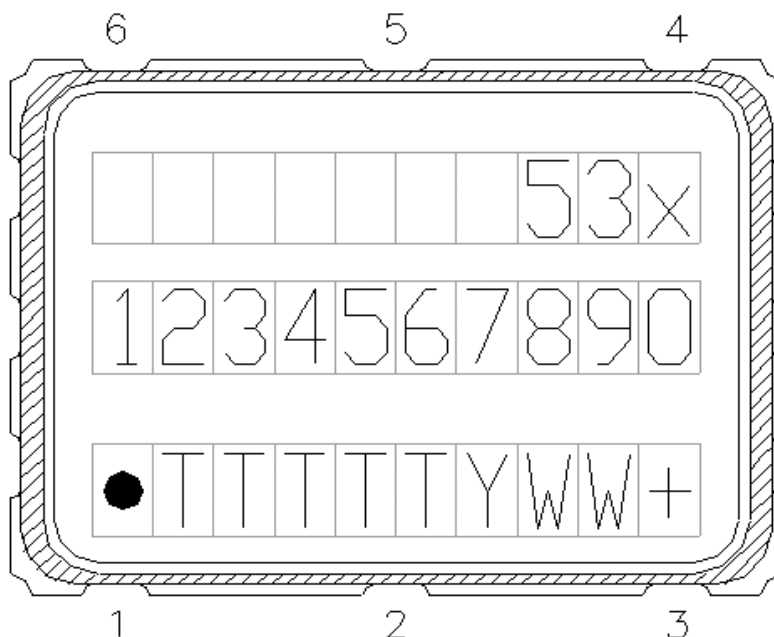


Figure 5. Mark Specification

Table 13. Si53x Top Mark Description

Line	Position	Description
1	1–10	Part Family Number, 53x (First 3 characters in part number where x = 5 indicates a 535 device and x = 6 indicates a 536 device).
2	1–10	Si535, Si536: Option1 + Option2 + Freq(7) + Temp Si535/Si536 w/ 8-digit resolution: Option1 + Option2 + ConfigNum(6) + Temp
3	Trace Code	
	Position 1	Pin 1 orientation mark (dot)
	Position 2	Product Revision (D)
	Position 3–6	Tiny Trace Code (4 alphanumeric characters per assembly release instructions)
	Position 7	Year (least significant year digit), to be assigned by assembly site (ex: 2013 = 3)
	Position 8–9	Calendar Work Week number (1–53), to be assigned by assembly site
	Position 10	“+” to indicate Pb-Free and RoHS-compliant

DOCUMENT CHANGE LIST

Revision 0.2 to Revision 0.3

- Updated Table 7 on page 5.

Revision 0.3 to Revision 0.5

- Updated Note 1 in Table 2 on page 2.
- Updated Symmetry Test Condition in Table 3 on page 3.
- Updated Table 4 on page 4.
- Updated Table 5 on page 4.
- Updated XXXMXXX text in Figure 2 on page 7.
- Updated 4. "Package Outline" on page 8.

Revision 0.5 to Revision 0.6

- Updated Figure 2 on page 7.
- Updated Land Pattern information on page 10.

Revision 0.6 to Revision 0.7

- Updated Powerup Time's test condition in Table 2 on page 2.
- Added new frequency option to Figure 2 on page 7.

Revision 0.7 to Revision 1.0

- Updated Table 4 Phase Jitter's test condition and maximum values.

Revision 1.0 to Revision 1.1

- Added 100 MHz ordering option.

Revision 1.1 to Revision 1.2

May 13, 2016

- Updated Figure 2 for frequencies: 161.1328 MHz, 166.6286 MHz, 167.3316 MHz.

Revision 1.2 to Revision 1.3

June, 2018

- Changed "Trays" to "Coil Tape" in section 3. "Ordering Information".



ClockBuilder Pro

One-click access to Timing tools, documentation, software, source code libraries & more. Available for Windows and iOS (CBGo only).

skyworksinc.com/CBPro



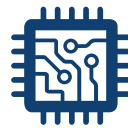
Portfolio

skyworksinc.com



SW/HW

skyworksinc.com/CBPro



Quality

skyworksinc.com/quality



Support & Resources

skyworksinc.com/support

Copyright © 2022 Skyworks Solutions, Inc. All Rights Reserved.

Information in this document is provided in connection with Skyworks Solutions, Inc. ("Skyworks") products or services. These materials, including the information contained herein, are provided by Skyworks as a service to its customers and may be used for informational purposes only by the customer. Skyworks assumes no responsibility for errors or omissions in these materials or the information contained herein. Skyworks may change its documentation, products, services, specifications or product descriptions at any time, without notice. Skyworks makes no commitment to update the materials or information and shall have no responsibility whatsoever for conflicts, incompatibilities, or other difficulties arising from any future changes.

No license, whether express, implied, by estoppel or otherwise, is granted to any intellectual property rights by this document. Skyworks assumes no liability for any materials, products or information provided hereunder, including the sale, distribution, reproduction or use of Skyworks products, information or materials, except as may be provided in Skyworks' Terms and Conditions of Sale.

THE MATERIALS, PRODUCTS AND INFORMATION ARE PROVIDED "AS IS" WITHOUT WARRANTY OF ANY KIND, WHETHER EXPRESS, IMPLIED, STATUTORY, OR OTHERWISE, INCLUDING FITNESS FOR A PARTICULAR PURPOSE OR USE, MERCHANTABILITY, PERFORMANCE, QUALITY OR NON-INFRINGEMENT OF ANY INTELLECTUAL PROPERTY RIGHT; ALL SUCH WARRANTIES ARE HEREBY EXPRESSLY DISCLAIMED. SKYWORKS DOES NOT WARRANT THE ACCURACY OR COMPLETENESS OF THE INFORMATION, TEXT, GRAPHICS OR OTHER ITEMS CONTAINED WITHIN THESE MATERIALS. SKYWORKS SHALL NOT BE LIABLE FOR ANY DAMAGES, INCLUDING BUT NOT LIMITED TO ANY SPECIAL, INDIRECT, INCIDENTAL, STATUTORY, OR CONSEQUENTIAL DAMAGES, INCLUDING WITHOUT LIMITATION, LOST REVENUES OR LOST PROFITS THAT MAY RESULT FROM THE USE OF THE MATERIALS OR INFORMATION, WHETHER OR NOT THE RECIPIENT OF MATERIALS HAS BEEN ADVISED OF THE POSSIBILITY OF SUCH DAMAGE

Skyworks products are not intended for use in medical, lifesaving or life-sustaining applications, or other equipment in which the failure of the Skyworks products could lead to personal injury, death, physical or environmental damage. Skyworks customers using or selling Skyworks products for use in such applications do so at their own risk and agree to fully indemnify Skyworks for any damages resulting from such improper use or sale.

Customers are responsible for their products and applications using Skyworks products, which may deviate from published specifications as a result of design defects, errors, or operation of products outside of published parameters or design specifications. Customers should include design and operating safeguards to minimize these and other risks. Skyworks assumes no liability for applications assistance, customer product design, or damage to any equipment resulting from the use of Skyworks products outside of Skyworks' published specifications or parameters.

Skyworks, the Skyworks symbol, Sky5®, SkyOne®, SkyBlue™, Skyworks Green™, Clockbuilder®, DSPLL®, ISOMODem®, ProSLIC®, and SiPHY® are trademarks or registered trademarks of Skyworks Solutions, Inc. or its subsidiaries in the United States and other countries. Third-party brands and names are for identification purposes only and are the property of their respective owners. Additional information, including relevant terms and conditions, posted at www.skyworksinc.com, are incorporated by reference.

Skyworks Solutions, Inc. | Nasdaq: SWKS | sales@skyworksinc.com | www.skyworksinc.com

USA: 781-376-3000 | Asia: 886-2-2735 0399 | Europe: 33 (0)1 43548540