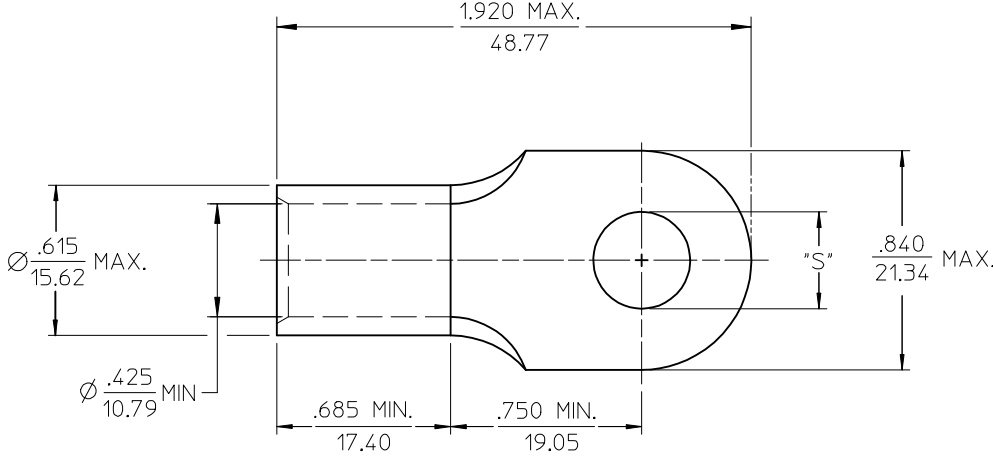


MATERIAL NO.	ENG. NO.	STUD SIZE	±.003 "S"	STOCK THICKNESS
191930330	H-381-14	1/4	.265	.075 (1.90)
191930333	H-381-56	5/16	.328	
191930331	H-381-38	3/8	.390	
191930556	H-381-12	1/2	.515	



SALES DRAWING

- NOTE(S):
1. MATERIAL: COPPER
 2. PLATING: ELECTROPLATE TIN.
 3. ALL DIMENSIONS IN INCHES/(MM)
 4. WIRE SIZE: 1/0 AWG
50 MM²

REVISED/UPDATE TO MX STD EC NO: ETC2003-0315 DRWN:DMYRICK 2003/08/20 CHKD:HEB 2003/08/21 APPR:RDEROSS 2003/08/21	QUALITY SYMBOLS	GENERAL TOLERANCES (UNLESS SPECIFIED)	SCALE 2:1	DESIGN UNITS INCH	THIRD ANGLE PROJECTION	REVISE ON CAD ONLY																
	DESCRIPTION A	▽ = 0 ▽ = 0	<table border="1"> <thead> <tr> <th></th> <th>mm</th> <th>INCH</th> </tr> </thead> <tbody> <tr> <td>4 PLACES</td> <td>± ---</td> <td>± ---</td> </tr> <tr> <td>3 PLACES</td> <td>± ---</td> <td>± .005</td> </tr> <tr> <td>2 PLACES</td> <td>± 0.13</td> <td>± .01</td> </tr> <tr> <td>1 PLACE</td> <td>± 0.25</td> <td>± ---</td> </tr> </tbody> </table>		mm	INCH	4 PLACES	± ---	± ---	3 PLACES	± ---	± .005	2 PLACES	± 0.13	± .01	1 PLACE	± 0.25	± ---	DIMENSION STYLE IN/MM		TITLE RING TONGUE TERMINAL VERSAKRIMP SERIES 1/0 AWG	
			mm	INCH																		
		4 PLACES	± ---	± ---																		
		3 PLACES	± ---	± .005																		
2 PLACES	± 0.13	± .01																				
1 PLACE	± 0.25	± ---																				
DRAFT WHERE APPLICABLE MUST REMAIN WITHIN DIMENSIONS		DRAWN BY DLM	DATE 03/06/13	MOLEX INCORPORATED																		
		CHECKED BY HEB	DATE 03/06/13	MATERIAL NO. (SEE CHART)	DOCUMENT NO. SD-19193-020	SHEET NO. 1 OF 1																
		THIS DRAWING CONTAINS INFORMATION THAT IS PROPRIETARY TO MOLEX INCORPORATED AND SHOULD NOT BE USED WITHOUT WRITTEN PERMISSION																				