

CTCDRH4D18F Series

From 1.0 μH to 180 μH

ENGINEERING KIT #43F



CHARACTERISTICS

Description: SMD (shielded) power inductor.

Applications: Power supplies for VTR, OA equipment, LCD televisions, PC notebooks, portable communication equipment, DC/DC converters, etc.

Operating Temperature: -30°C to +80°C

Inductance Tolerance: $\pm 30\%$

Testing: Tested on a HP4285A at specified frequency.

Packaging: Tape & Reel.

Marking: Parts are marked with inductance code.

Rated DC Current: Indicates the current when the inductance decreases to 65% more than its nominal value and temperature rising $\Delta T=40^\circ\text{C}$ lower at D.C. superposition.

Miscellaneous: RoHS Compliant.

Additional Information: Additional electrical & physical information available upon request.

Samples available. See website for ordering information.

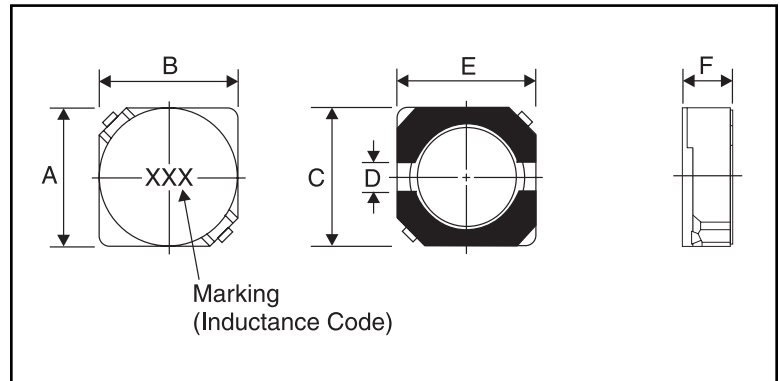
SPECIFICATIONS

Parts are available in $\pm 30\%$ tolerance only.

Part Number	Inductance @ 0.25Vrms, 0A _{dc} ($\mu\text{H} \pm 30\%$)	L Test Freq. (Hz)	DCR Max. (m Ω)	Rated DC Current (A)
CTCDRH4D18F-1R0N	1.0	7.96M	45	1.72
CTCDRH4D18F-2R2N	2.2	7.96M	75	1.32
CTCDRH4D18F-2R7N	2.7	7.96M	105	1.28
CTCDRH4D18F-3R3N	3.3	7.96M	110	1.04
CTCDRH4D18F-3R9N	3.9	7.96M	155	0.88
CTCDRH4D18F-4R7N	4.7	7.96M	162	0.84
CTCDRH4D18F-5R6N	5.6	7.96M	170	0.80
CTCDRH4D18F-6R8N	6.8	7.96M	200	0.76
CTCDRH4D18F-8R2N	8.2	7.96M	245	0.68
CTCDRH4D18F-100N	10	100k	200	0.61
CTCDRH4D18F-120N	12	100k	210	0.56
CTCDRH4D18F-150N	15	100k	240	0.50
CTCDRH4D18F-180N	18	100k	338	0.48
CTCDRH4D18F-220N	22	100k	397	0.41
CTCDRH4D18F-270N	27	100k	441	0.35
CTCDRH4D18F-330N	33	100k	694	0.32
CTCDRH4D18F-390N	39	100k	709	0.30
CTCDRH4D18F-470N	47	100k	922	0.28
CTCDRH4D18F-560N	56	100k	1080	0.26
CTCDRH4D18F-680N	68	100k	1300	0.24
CTCDRH4D18F-820N	82	100k	1560	0.22
CTCDRH4D18F-101N	100	100k	1730	0.20
CTCDRH4D18F-121N	120	100k	2390	0.18
CTCDRH4D18F-151N	150	100k	2840	0.15
CTCDRH4D18F-181N	180	100k	4000	0.14

PHYSICAL DIMENSIONS

Size	A	B	C	D	E	F
						Max.
mm	4.7 \pm 0.3	4.7 \pm 0.3	4.5	1.5	4.5	2.0
inches	0.19 \pm 0.01	0.19 \pm 0.01	0.177	0.06	0.177	0.08



PAD LAYOUT

