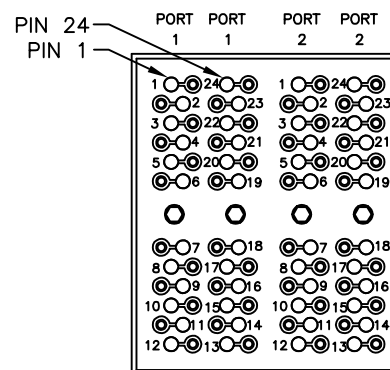
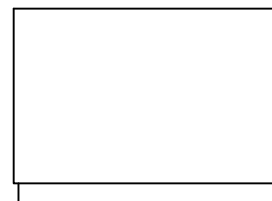
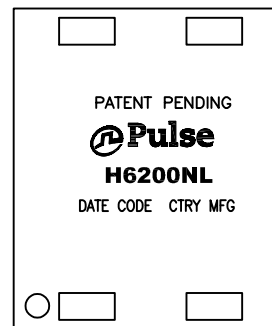


NOTES:

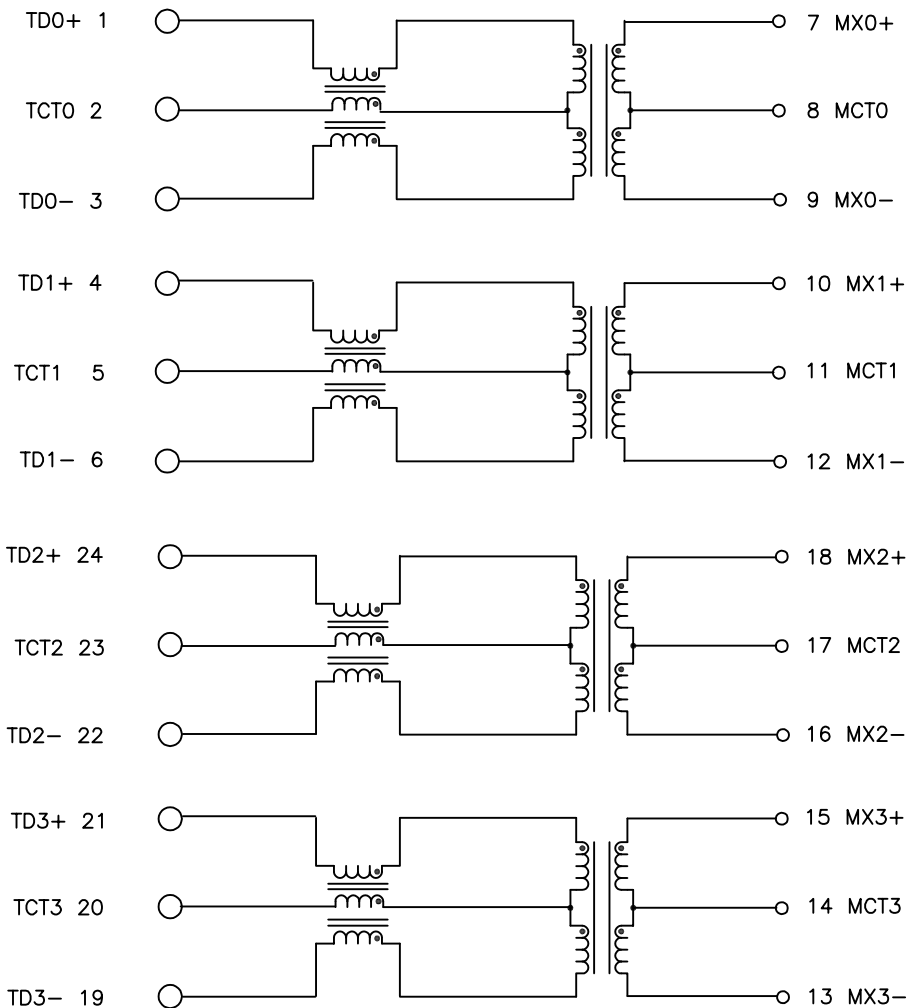
1. ROHS COMPLIANT
2. HEADER: DAP (DIALLYL PHTHALATE) WITH FLAMMABILITY RATING UL 94V-0 OR BETTER.
3. STORAGE TEMPERATURE: -20°C TO +125°C
4. COMPLIANCE TO J-STD:
 - A. J-STD-002: SOLDERABILITY AT 245°C REFLOW PROFILE
 - B. J-STD-020: LEVEL 1, NO MOISTURE SENSITIVE
 - C. J-STD-075: R7, 245°C MAXIMUM THROUGH REFLOW SOLDER
5. TO ORDER TAPE & REEL PACKAGING ADD A "T" SUFFIX TO THE PART NUMBER(i.e H6200NL BECOMES H6200NLT).



FINAL OUTLINE

© Copyright, 2015. Pulse Electronics Corp. All rights reserved. Pulse confidential & proprietary. (04/10/15)

| PRODUCT DESCRIPTION | TLA DRAWING | PS DRAWING | SHEET | PART NO. | DATASHEET REV. |
|-------------------------|-------------|---------------|--------|----------|----------------|
| MDL,DUAL,1GPP,1:1,SM,TU | H6200NL-11 | PS-2435.002-B | 1 OF 3 | H6200NL | A |



SCHEMATIC
EACH PORT

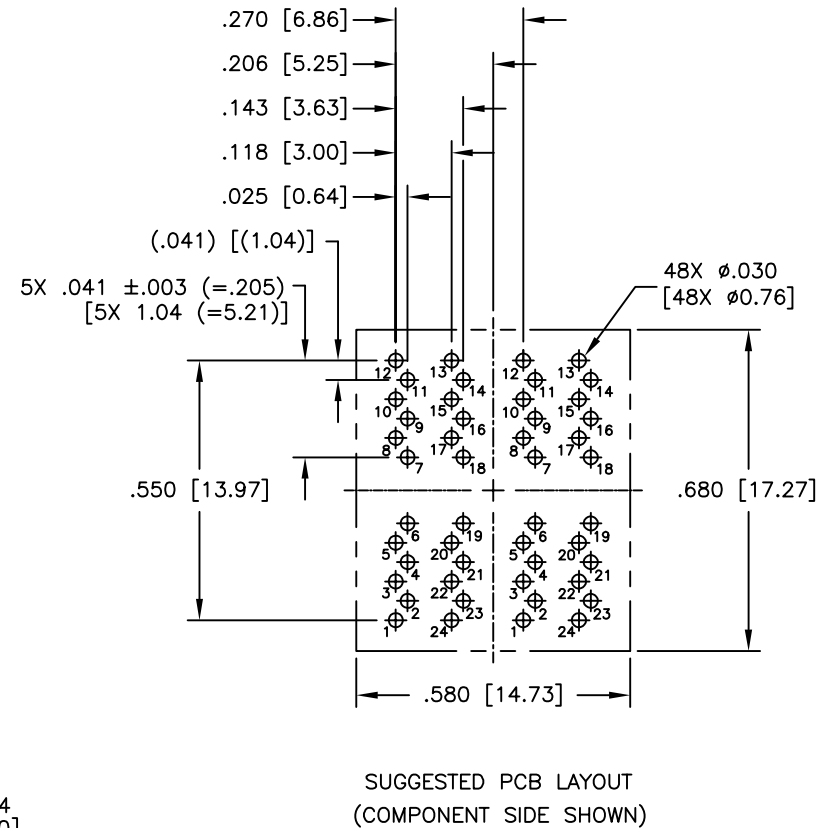
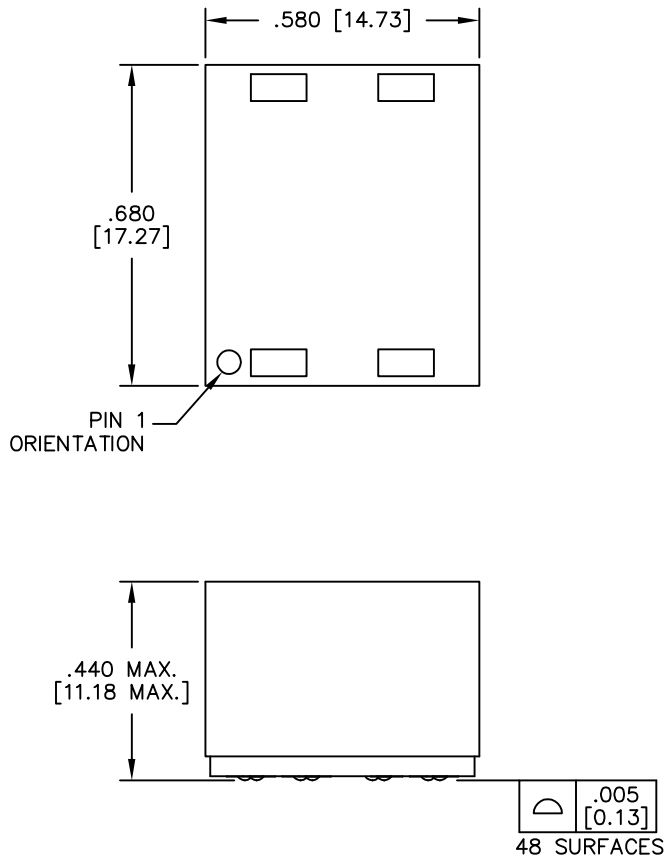
ELECTRICAL CHARACTERISTICS AT +25°C UNLESS OTHER SPECIFIED
MEETS IEEE 802.3 SPECIFICATION

| PARAMETER | SPECIFICATIONS | |
|--|---|--|
| OPERATING TEMP | 0°C TO +70°C | |
| TURNS RATIO | 1 : 1 ±2% | |
| POLARITY | PER SCHEMATIC | |
| INSERTION LOSS | 100 KHz | 1-125 MHz |
| | -1.2 dB MAX | -0.2-0.002*f ^{1.4} dB MAXIMUM |
| RETURN LOSS (Z OUT = 100 OHM ±15%) | .1-40 MHz | 40-100 MHz |
| | -16 dB MIN | -10+20*LOG ₁₀ (f/80 MHz) dB MINIMUM |
| INDUCTANCE (OCL) (MEDIA SIDE, 0°C TO +70°C) | 350 uH MIN (MEASURED AT 100 KHz, 100 mVRMS AND WITH 8 mA DC BIAS) | |
| | 120 uH MIN (MEASURED AT 100 KHz, 100 mVRMS AND WITH 18.3 mA DC BIAS) | |
| CROSSTALK, ADJACENT CHANNELS | 1 MHz | 10-100 MHz |
| | -50 dB MIN | -55+22*LOG ₁₀ (f/10) dB MINIMUM |
| COMMON MODE REJECTION RATIO | 2 MHz | 30-200 MHz |
| | -50 dB MIN | -15+20*LOG ₁₀ (f/200) dB MINIMUM |
| DC RESISTANCE, 1/2 WINDING | .65 OHMS MAXIMUM | |
| DC RESISTANCE IMBALANCE | ±.065 OHMS MAXIMUM (CENTER TAP SYMMETRY) | |
| DC CURRENT/VOLTAGE RATING - PSE PINS | 600 mA MAX @ 57V (CONTINUOUS) | |
| INPUT - OUTPUT ISOLATION | 1500 VRMS MINIMUM AT 60 SECONDS | |

NOTE: f IS FREQUENCY IN MHZ.

© Copyright, 2015. Pulse Electronics Corp. All rights reserved. Pulse confidential & proprietary. (04/10/15)

| PRODUCT DESCRIPTION | TLA DRAWING | PS DRAWING | SHEET | PART NO. | DATASHEET REV. |
|-------------------------|-------------|---------------|--------|----------|----------------|
| MDL,DUAL,1GPP,1:1,SM,TU | H6200NL-11 | PS-2435.002-B | 2 OF 3 | H6200NL | A |



DIMENSIONS ARE IN INCHES [MILLIMETERS] WITH THE FOLLOWING TOLERANCES: [MILLIMETERS] ARE FOR REFERENCE ONLY.
 .XX= ±.02 [±0.5]
 .XXX= ±.010 [±0.25]

© Copyright, 2015. Pulse Electronics Corp. All rights reserved. Pulse confidential & proprietary. (04/10/15)

| PRODUCT DESCRIPTION | TLA DRAWING | PS DRAWING | SHEET | PART NO. | DATASHEET REV. |
|-------------------------|-------------|---------------|--------|----------|----------------|
| MDL,DUAL,1GPP,1:1,SM,TU | H6200NL-11 | PS-2435.002-B | 3 OF 3 | H6200NL | A |