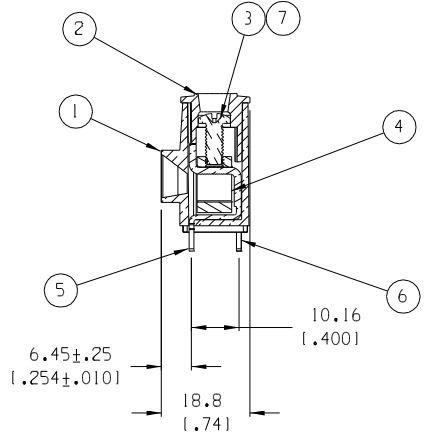
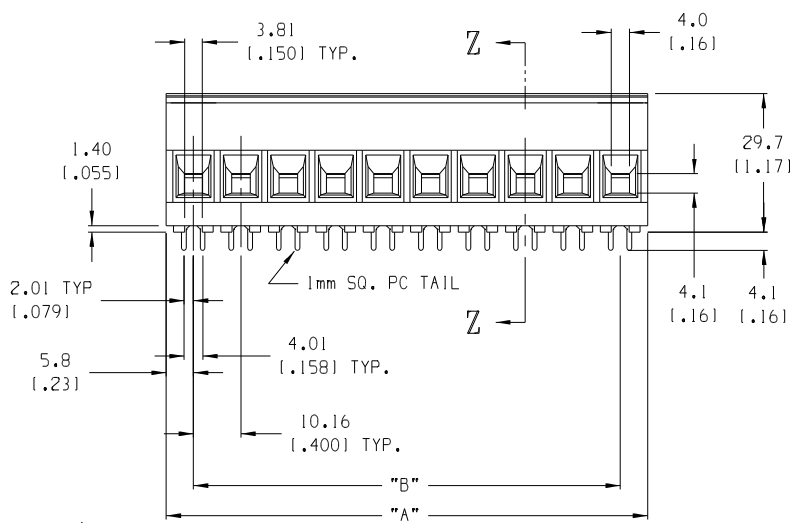


NOTES:

1. MATERIAL: SEE TABLE
2. FINISHES: SEE TABLE
3. PRODUCT SPECIFICATION: NOT REQUIRED
4. PACKAGING: NOT REQUIRED
5. MATES WITH: NONE
6. PART IS DESIGNED TO MEET UL 1059 CLASS C 600V, 40A
7. STAGGERED PC TAIL POSITION ON ALTERNATE CIRCUITS
8. "XX" REFERS TO NUMBER OF CIRCUITS
9. FOR OPTIONAL IMPRINTING, REFER TO SD-38120-005



SECTION Z-Z

ITEM	QTY.	DESCRIPTION	MATERIAL	FINISH
7	XX	SCREW, M4, #2 POZI-SLOT, ST. STEEL	ST. STEEL	TIN
6	A/R	REAR TERMINAL	COPPER	TIN
5	A/R	FRONT TERMINAL	COPPER	TIN
4	XX	CAGE	BRASS	NICKEL
3	XX	SCREW, M4, #2 POZI-SLOT, BRONZE	BRONZE	TIN
2	1	COVER	THERMOPLASTIC	BLACK
1	1	BODY	THERMOPLASTIC	BLACK

ECN# 4261
 DRAWN: RK 10-7-05
 CHK: APPR1
 D

DESCRIPTION
 MAJOR
 CRITICAL
 C

	GENERAL TOLERANCES: (UNLESS SPECIFIED)	
	mm	INCH
4 PLACES	±.0015	±.0015
3 PLACES	±.038	±.005
2 PLACES	±.13	±.01
1 PLACE	±.3	
ANGULAR: ±2°		

SCALE: 1:1
 DESIGN UNITS: mm INCH
 DRAWN BY & DATE: R.STONE 9-13-00
 CHECKED BY & DATE: R.KEMP 9-13-02
 APPROVED BY & DATE: L.ROTHAUS 9-27-02
 CAD FILENAME: 9135XX

PROJECT NO.: -
 DIMENSIONS: mm INCH mm ONLY
 SHT: - REV: -
 REVISE ON CAD ONLY
 TITLE: SR BTS 8 AWG ASSY, 600V 40 A
MOLEX INCORPORATED
 MATERIAL NO.: SEE CHART
 DRAWING NO.: SD-39910-002
 SHEET NO.: 1 OF 2
 THIS DRAWING CONTAINS INFORMATION THAT IS PROPRIETARY TO MOLEX INCORPORATED AND SHOULD NOT BE USED WITHOUT WRITTEN PERMISSION.
 SIZE: B

MATERIAL	MATERIAL NUMBER	MATERIAL NUMBER	MATERIAL NUMBER	MATERIAL NUMBER	MATERIAL NUMBER	MATERIAL NUMBER	NUMBER	"A" DIM.	"B" DIM.
STD	OPTIONAL 10A IMPRINT	OPTIONAL 11A IMPRINT	OPTIONAL (-56) SS SCREW	OPTIONAL SLOTTED SCREW	OPTIONAL SLOTTED SCREW W/10A IMPRINT	OPTIONAL SLOTTED SCREW W/11A IMPRINT	OF CIRCUITS		
399100302	399110302	399140302	399100602	399100502	399110502	399140502	2	21.84 [1.86]	110.16 [1.400]
399100303	399110303	399140303	399100603	399100503	399110503	399140503	3	32.00 [1.26]	120.32 [1.800]
399100304	399110304	399140304	399100604	399100504	399110504	399140504	4	42.16 [1.66]	130.48 [1.200]
399100305	399110305	399140305	399100605	399100505	399110505	399140505	5	52.32 [2.06]	140.64 [1.600]
399100306	399110306	399140306	399100606	399100506	399110506	399140506	6	62.48 [2.46]	150.80 [2.000]
399100307	399110307	399140307	399100607	399100507	399110507	399140507	7	72.64 [2.86]	160.96 [2.400]
399100308	399110308	399140308	399100608	399100508	399110508	399140508	8	82.80 [3.26]	171.12 [2.800]
399100309	399110309	399140309	399100609	399100509	399110509	399140509	9	92.96 [3.66]	181.28 [3.200]
399100310	399110310	399140310	399100610	399100510	399110510	399140510	10	103.12 [4.06]	191.44 [3.600]
399100311	399110311	399140311	399100611	399100511	399110511	399140511	11	113.28 [4.46]	101.60 [4.000]
399100312	399110312	399140312	399100612	399100512	399110512	399140512	12	123.44 [4.86]	111.76 [4.400]
399100313	399110313	399140313	399100613	399100513	399110513	399140513	13	133.60 [5.26]	121.92 [4.800]
399100314	399110314	399140314	399100614	399100514	399110514	399140514	14	143.76 [5.66]	132.08 [5.200]

EC NO. SEE SHEET DRAWN: ONE CH: K1 APPR:	DESCRIPTION MAJOR CRITICAL SPC S	GENERAL TOLERANCES: (UNLESS SPECIFIED)		SCALE	DESIGN UNITS	THIRD ANGLE PROJECTION	PROJECT NO.	-	-		
		mm	INCH	N/A	<input type="checkbox"/> mm <input checked="" type="checkbox"/> INCH	<input type="checkbox"/> mm <input checked="" type="checkbox"/> INCH	DIMENSIONS:	SHT	REV		
		4 PLACES	±.0015	DRAWN BY & DATE	J.FARMER 08-10-04	TITLE:					
		3 PLACES	±.038	CHECKED BY & DATE	R. STONE 08-10-04	SR BTS 8 AWG ASSY, 600V 40 A					
2 PLACES	±.13	APPROVED BY & DATE	GHR 08-10-04	MOLEX INCORPORATED							
1 PLACE	±.3	ANGULAR:	±2°	CAD FILENAME	9135XX.PRT	MATERIAL NO.	SEE CHART	DRAWING NO.	SD-39910-002	SHEET NO.	2 OF 2
DRAFT WHERE APPLICABLE MUST REMAIN WITHIN DIMENSIONS											
THIS DRAWING CONTAINS INFORMATION THAT IS PROPRIETARY TO MOLEX INCORPORATED AND SHOULD NOT BE USED WITHOUT WRITTEN PERMISSION.											
SIZE B											