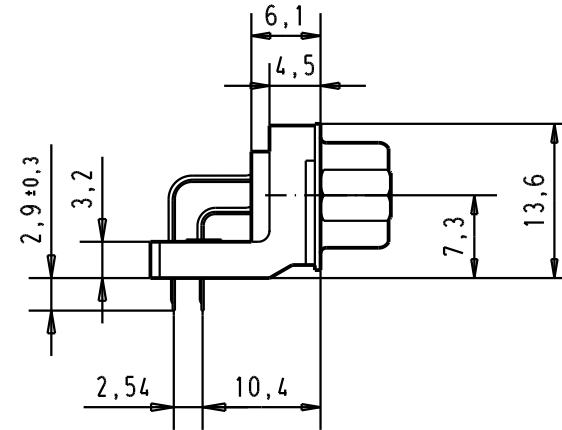
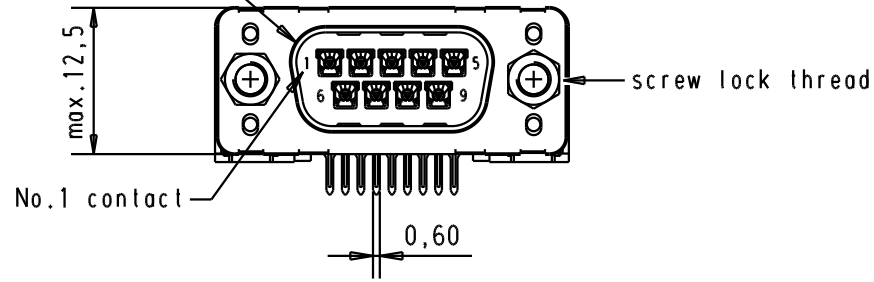
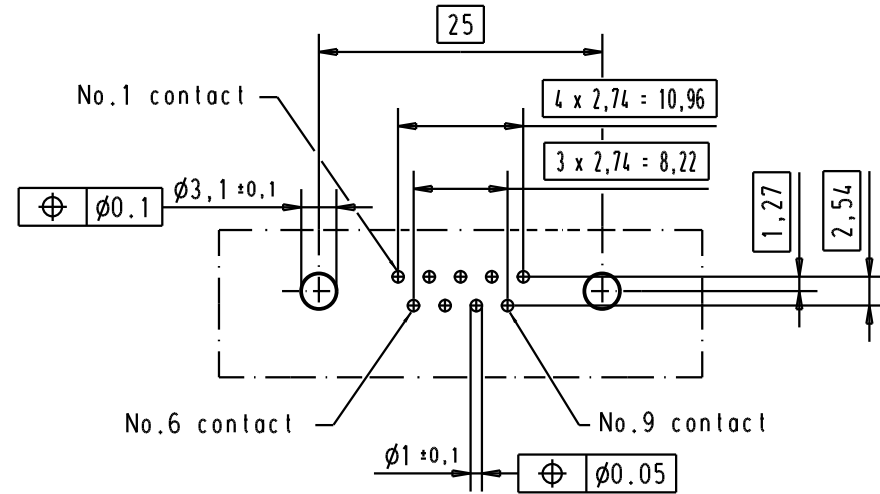
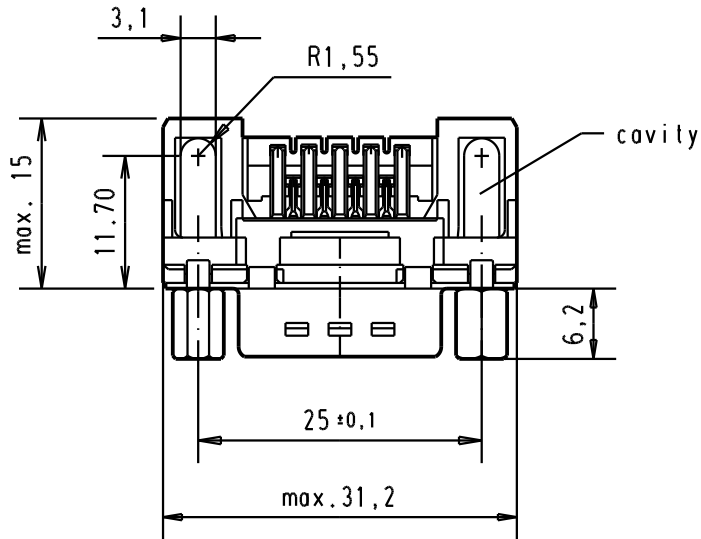


5 4 3 2 1

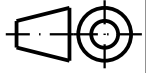

Mating face according to : MIL-C-24308 / DIN 41652 / CECC 75301-802



Printed board layout component side



A

						Dat.	Name	 All Dim. in mm Orig. Size DIN A 4	D-Sub, male, standard angle with solder pin, screw lock and hole	Maßstab/ Scale 1.5:1	
						Detail.	11/dec/00				ALSPACE
						Insp.					
			31892	22/04/04	JH						
09 65 122 3803	4-40 UNC	1	29773	18-APR-02	CV	Stand.					
09 65 122 6803	4-40 UNC	2	29689	02/07/01	AA						
09 65 122 7803	4-40 UNC	3	27960	11/dec/00	ALSPACE						
Part number	Screw lock thread	Performance level	Mod.	Dat.	Name	HARTING EURL F-95972 Paris				TB 0965122x80x Sub.	Blatt/ Page 3