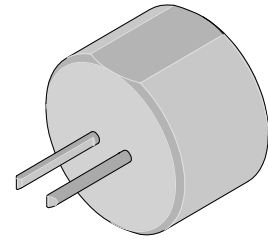


**Extractor Tool
HD-50424-1**



**Application Tooling
Specification Sheet**



Order No. 63813-2350

FEATURES

- This Extractor Tool is for the removal of 64323 Series female terminals from CMC connector.

SCOPE

Products: 1.50mm (.059") CP Crimp Female Terminal for Power CMC Receptacle.

Terminal Series No.	Terminal Order No.	Housing Series No.
64323	64323-1029	64318, 64319, 64320 and 64321
	64323-1039	
	64323-1219	
	64323-1319	

OPERATION:

When removing a damaged crimped wire from the CMC connector follow the steps below:

1. The secondary lock on the CMC connector will need to be opened first. See Figure 1.
2. Using a screwdriver insert the flat edge under the tab of the secondary lock and pull up. Use your fingers to open the lock completely.

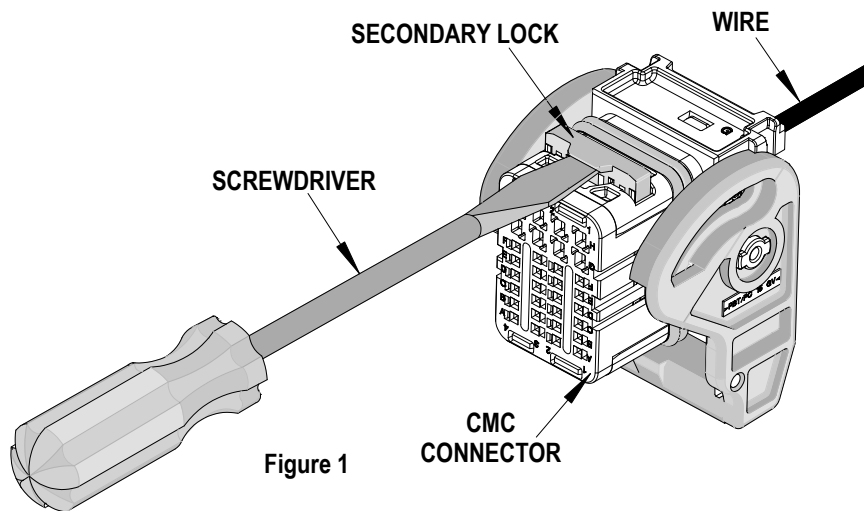
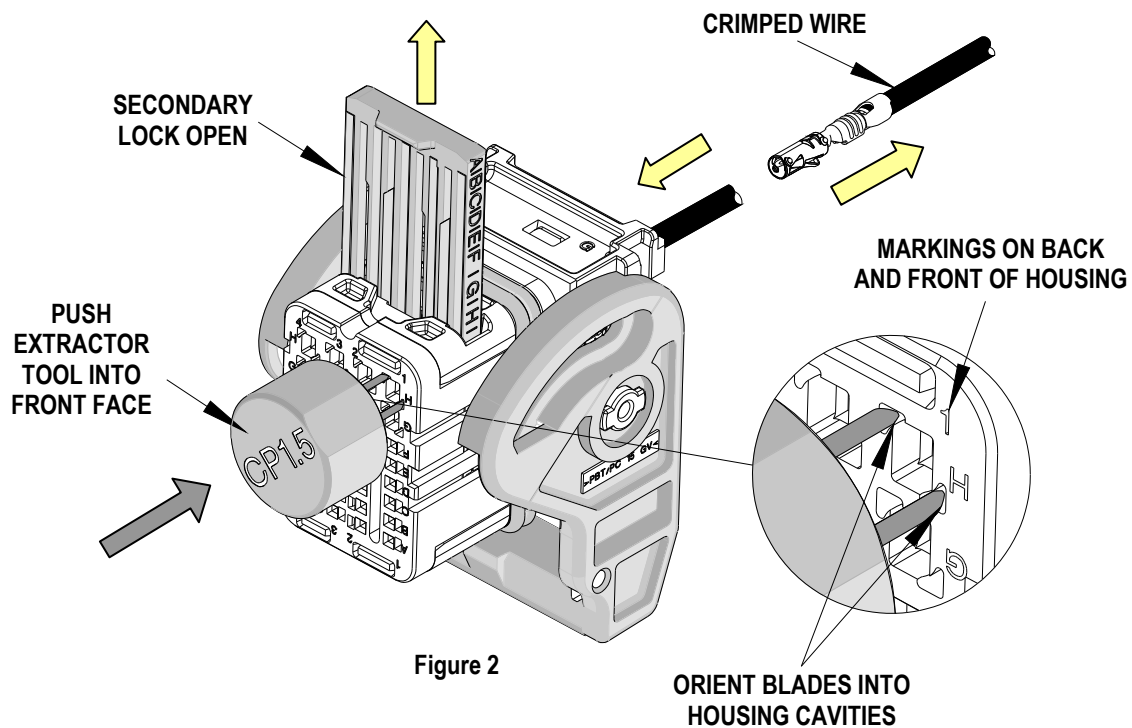


Figure 1

3. Position the blades of the extraction tool into the two small cavities of the slot in the front face of the housing as shown in Figure 2. Use the identifying markings on both the front and back of the connector to locate the opening used to extract the crimped wire.



4. Push extractor tool into the desired slot until it clicks or comes to a stop. Do not force the extractor tool any further or there can be damage to the housing.
5. Gently push the wire forward towards the housing and then pull out of the CMC housing.
6. Molex does not offer repair parts for Extractor Tools due to the inexpensive nature of these tools.

<http://www.molex.com>