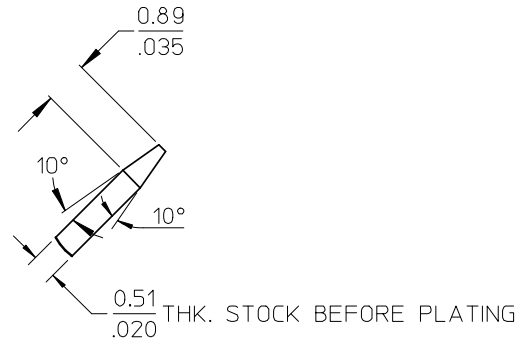
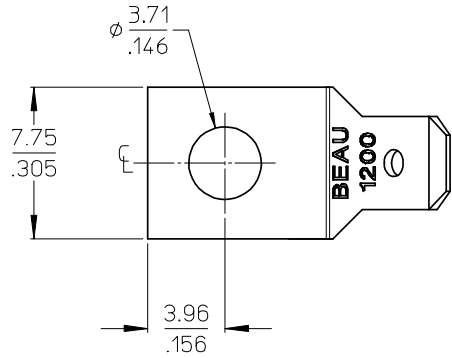
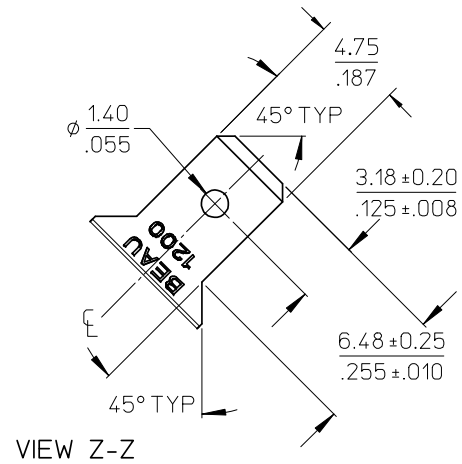
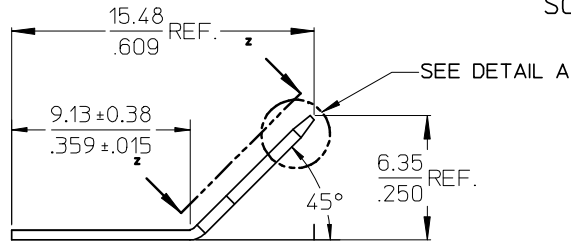


MATERIAL NO.	ENGINEERING NO.	DESCRIPTION	MATERIAL	FINISH
380020022	1214	TERMINAL, FAST-TAB SLANT	BRASS	TIN OVER COPPER PLATED



DETAIL A
SCALE 10:1



NOTES:
1. PART IS ROHS COMPLIANT.

INITIAL RELEASE EC NO: WNA2008-0402 DRWN: JENCINAS 2008/07/28 CHKD: CYORK 2008/08/15 APPR: JMACNEIL 2008/08/15 A	QUALITY SYMBOLS ▽=0 ▽7=0	GENERAL TOLERANCES (UNLESS SPECIFIED)		DIMENSION STYLE MM/IN	SCALE 4:1	DESIGN UNITS INCH	THIRD ANGLE PROJECTION		
		4 PLACES ± --- ± ---	3 PLACES ± --- ± .005	2 PLACES ± 0.13 ± .01	1 PLACE ± 0.3 ± ---	DRAWN BY J. ENCINAS	DATE 2008/07/15	TITLE TERMINAL, .187 FAST-TAB 45/SLANT, TIN PLATE (CAT# 1214)	
		ANGULAR ± 2 °				CHECKED BY C. YORK	DATE 2008/07/17	MOLEX INCORPORATED	
		DRAFT WHERE APPLICABLE MUST REMAIN WITHIN DIMENSIONS				APPROVED BY JMACNEIL	DATE 2008/07/18	DOCUMENT NO. SD-38002-060	SHEET NO. 1 OF 1