

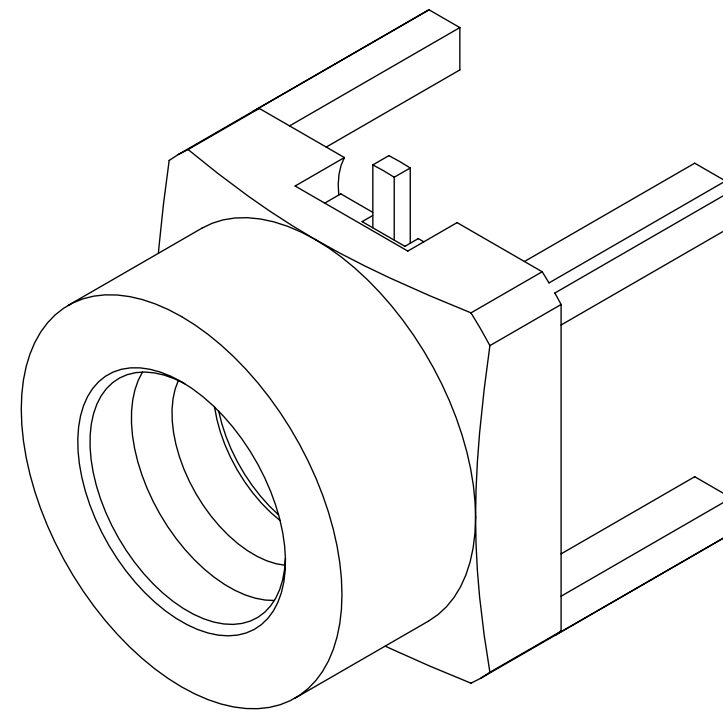
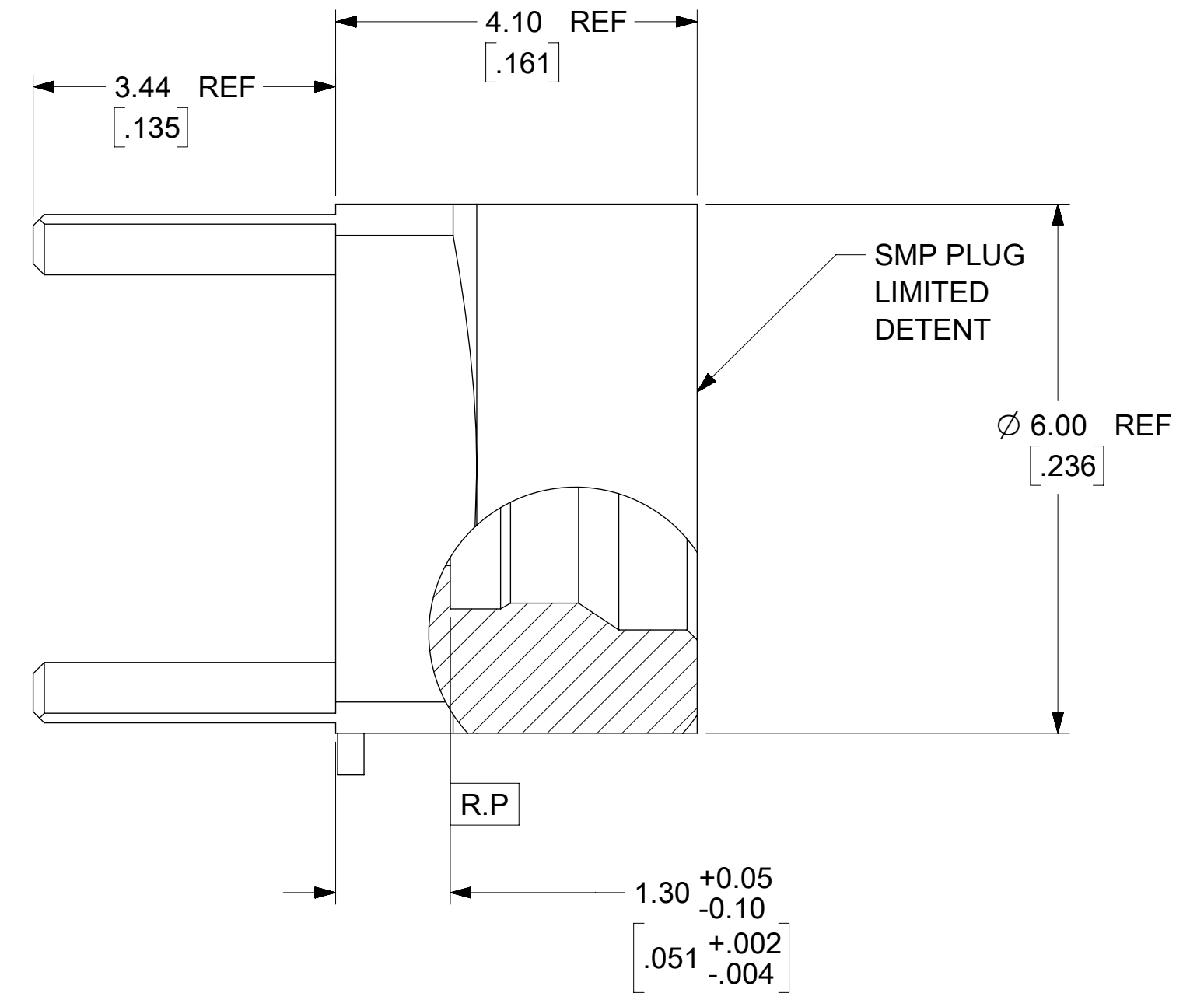
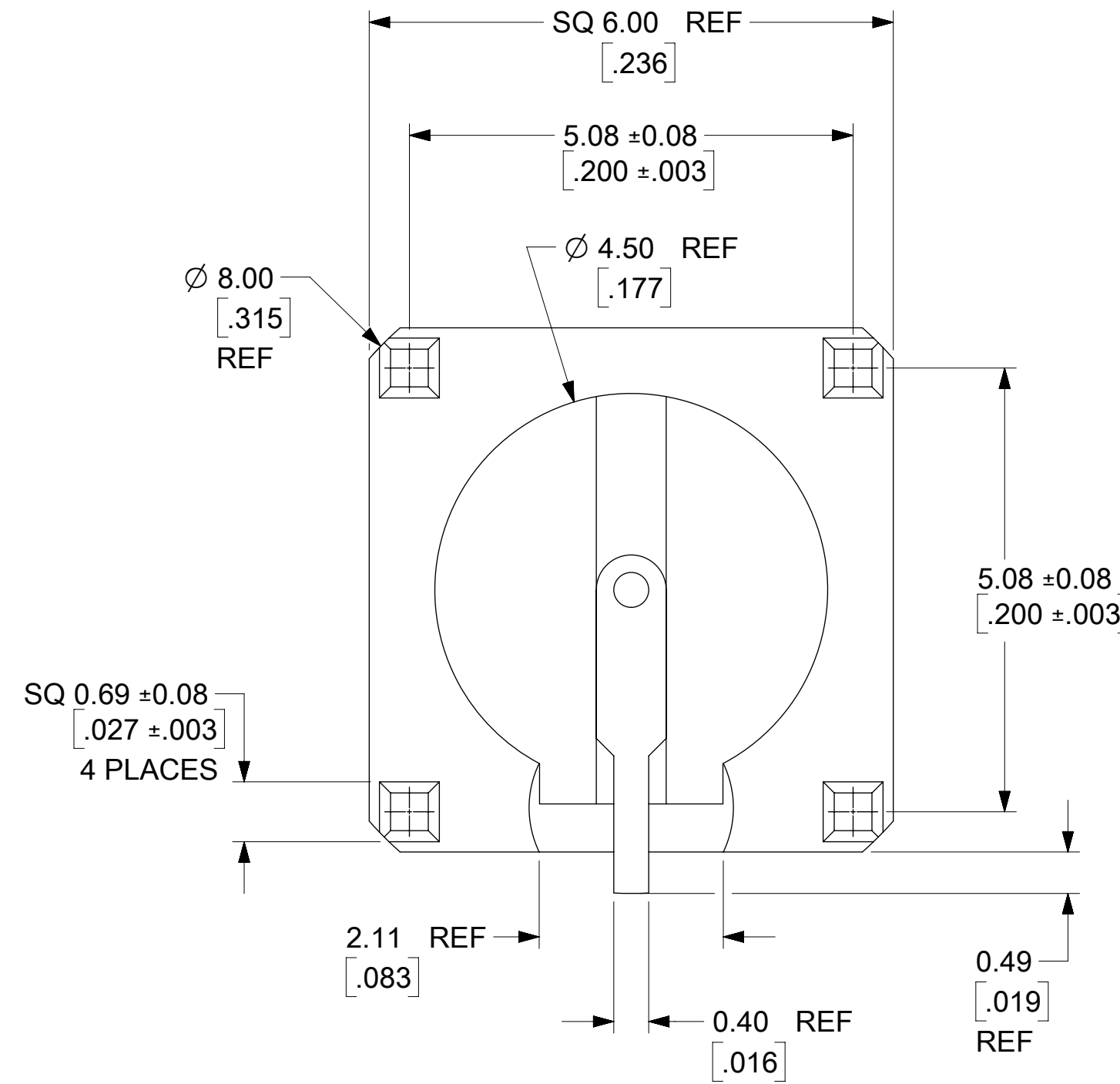
MATERIALS AND FINISHES:

BODY: BRASS
 FINISH: GOLD (8μ-in MIN) OVER
 NICKEL (80μ-in MIN)

CENTER CONTACT: BRASS
 FINISH: GOLD (10μ-in MIN) OVER
 NICKEL (100μ-in MIN)

INSULATOR: LCP

TAPE AND REEL: SEE SHEET 2



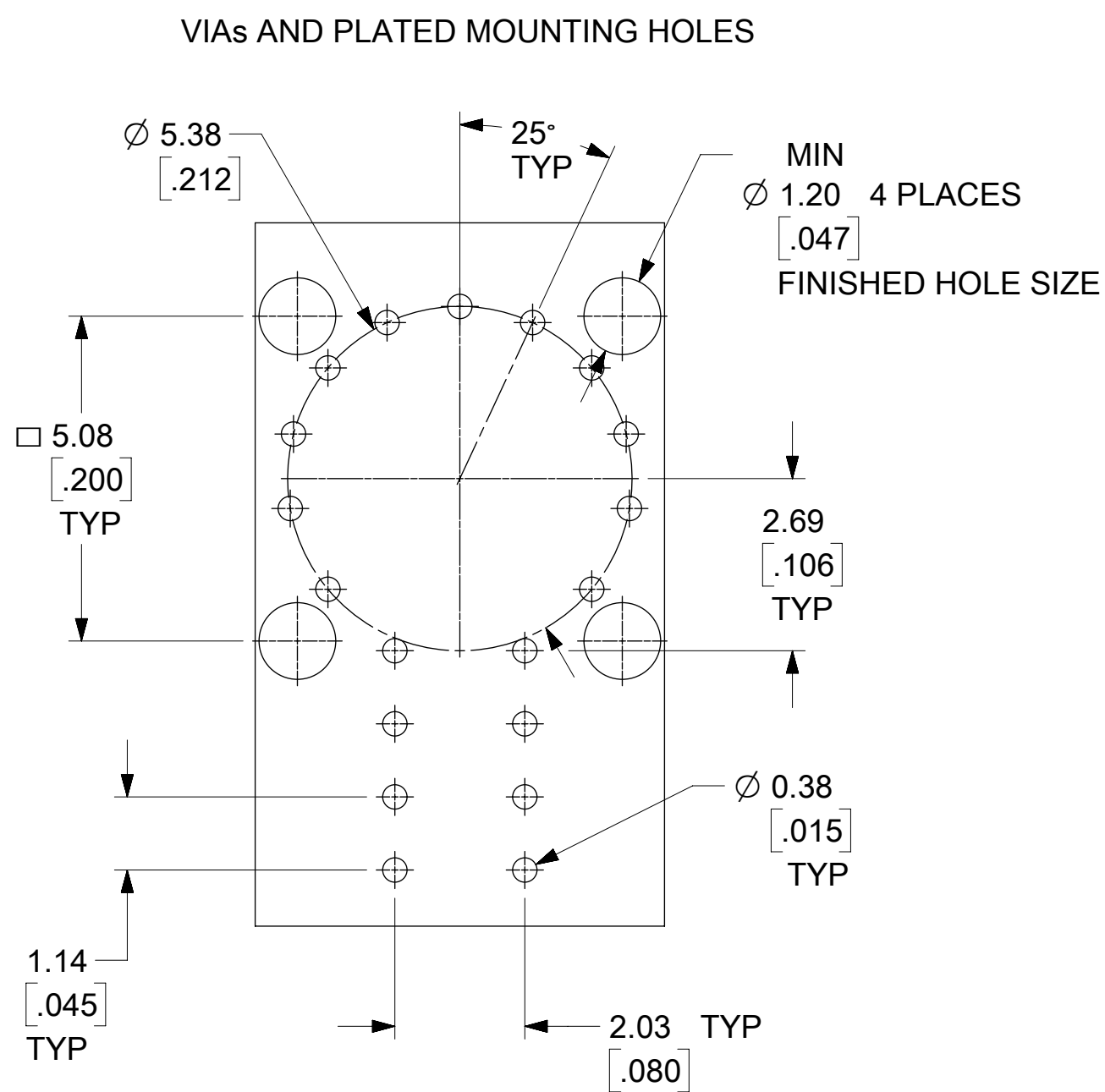
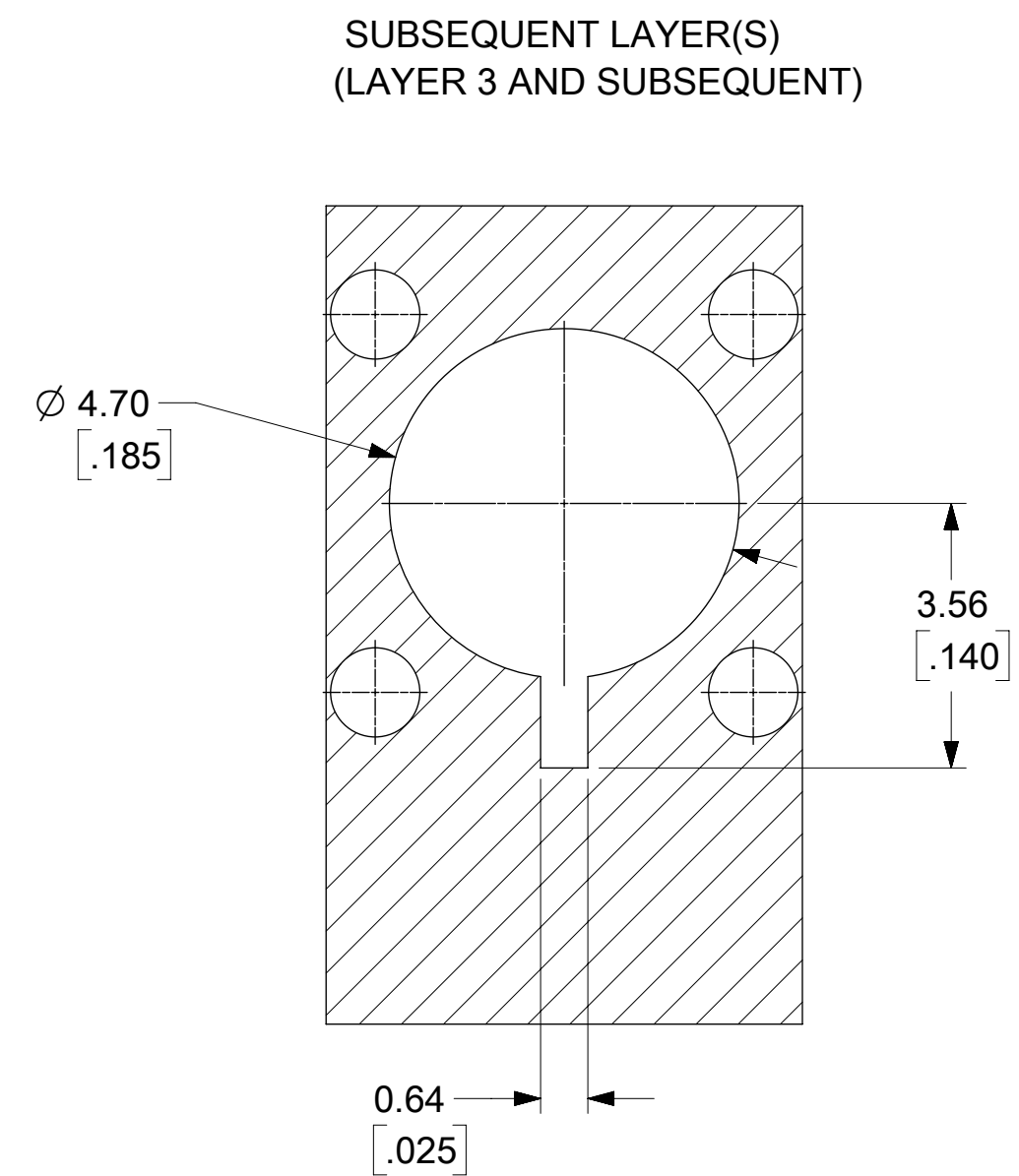
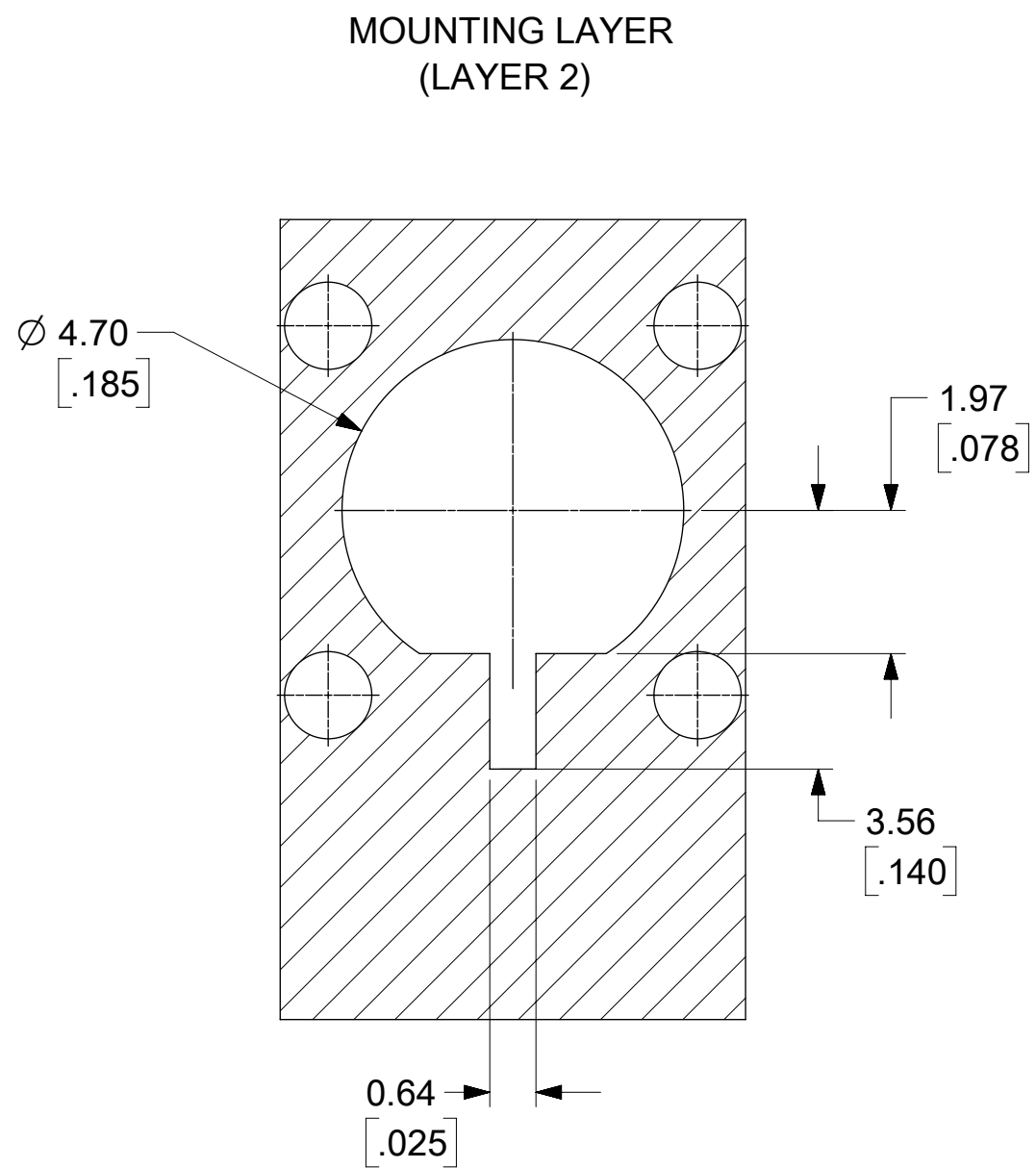
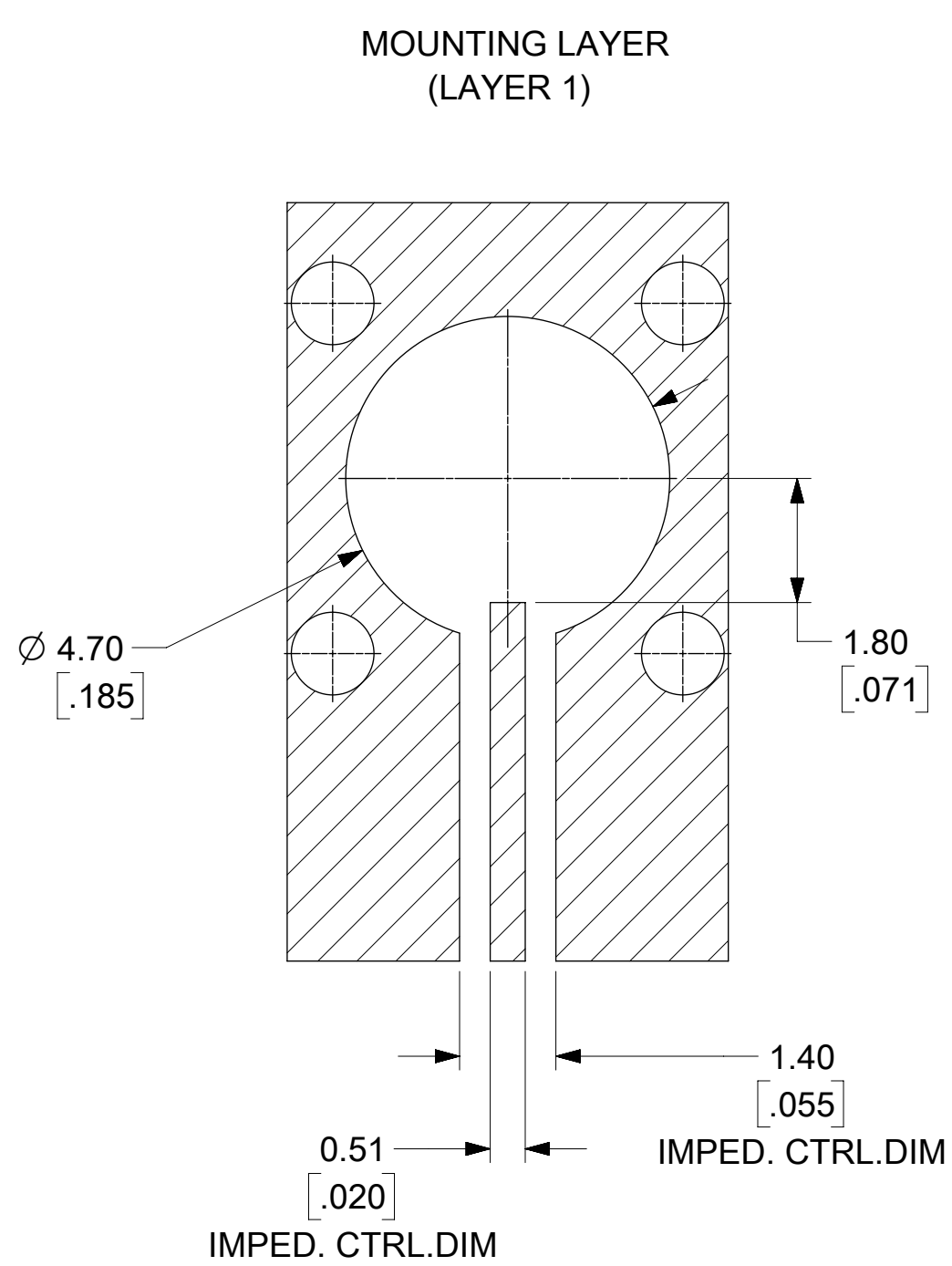
0734066241	TRAY PACK (0734066240)
0734066240	TAPE & REEL
PART NO.	PACKAGING DESCRIPTION

PS-89675-3320	PRODUCT SPECIFICATION
MIL-STD-348, FIG. 326.3	INTERFACE SMP LD
SPECIFICATION	DESCRIPTION
DOCUMENT STATUS	P1
RELEASE DATE	2022/02/04 20:20:31

SYMBOLS	THIS DRAWING CONTAINS INFORMATION THAT IS PROPRIETARY TO MOLEX ELECTRONIC TECHNOLOGIES, LLC AND SHOULD NOT BE USED WITHOUT WRITTEN PERMISSION												
	DIMENSION UNITS		SCALE		CURRENT REV DESC:								
∇ = 0	MM/IN	NTS		EC NO: 694071						SMP PLUG STR PCB 50 ? LIMITED DETENT EWR-13303, SMP-P/PCB			
∇ = 0	GENERAL TOLERANCES (UNLESS SPECIFIED)			DRWN: BSHAH 2022/01/28									
∇ = 0		MM	INCH	CHK'D: SSSHAH 2022/02/04						PRODUCT CUSTOMER DRAWING			
S = 0	4 PLACES	±	±	APPR: KTAGAN 2022/02/04									
∇ = 0	3 PLACES	±	± 0.01	INITIAL REVISION:						DOCUMENT NUMBER SD-73406-624			
∇ = 0	2 PLACES	± 0.25	±	DRWN: SSHAH 2010/11/29									DOC TYPE
∇ = 0	1 PLACE	±	±	APPR: JWIENER 2010/12/16						PSD	001	A4	
∇ = 0	0 PLACES	±	±	ANGULAR TOL ± 2.0 °						MATERIAL NUMBER	CUSTOMER		SHEET NUMBER
∇ = 0	DRAFT WHERE APPLICABLE MUST REMAIN WITHIN DIMENSIONS			THIRD ANGLE PROJECTION		DRAWING		SERIES		SEE TABLE	1 OF 3		
∇ = 0			C-SIZE		73406								

PCB CONNECTOR LAUNCH / PAD (FOR REFERENCE ONLY)

ALL HATCHED SURFACES SHOWN BELOW ARE COPPER (Cu)



PCB STACK UP

LAYER	MATERIAL	Dk	THICKNESS (mil)
1	Cu + PLATING		2.1
	RO4350	3.66	10
2	Cu		0.6
	RO4350	3.66	10
3*	Cu		0.6

* SUBSEQUENT LAYERS MAY BE ADDED AS REQUIRED FOR INDIVIDUAL APPLICATIONS

TYPICAL PERFORMANCE CHARACTERISTICS WITH CONNECTOR AND PCB LAUNCH SHOWN

TYPICAL RETURN LOSS	FREQUENCY BAND
20dB	DC TO 15GHz
15dB	15 GHz TO 18GHz

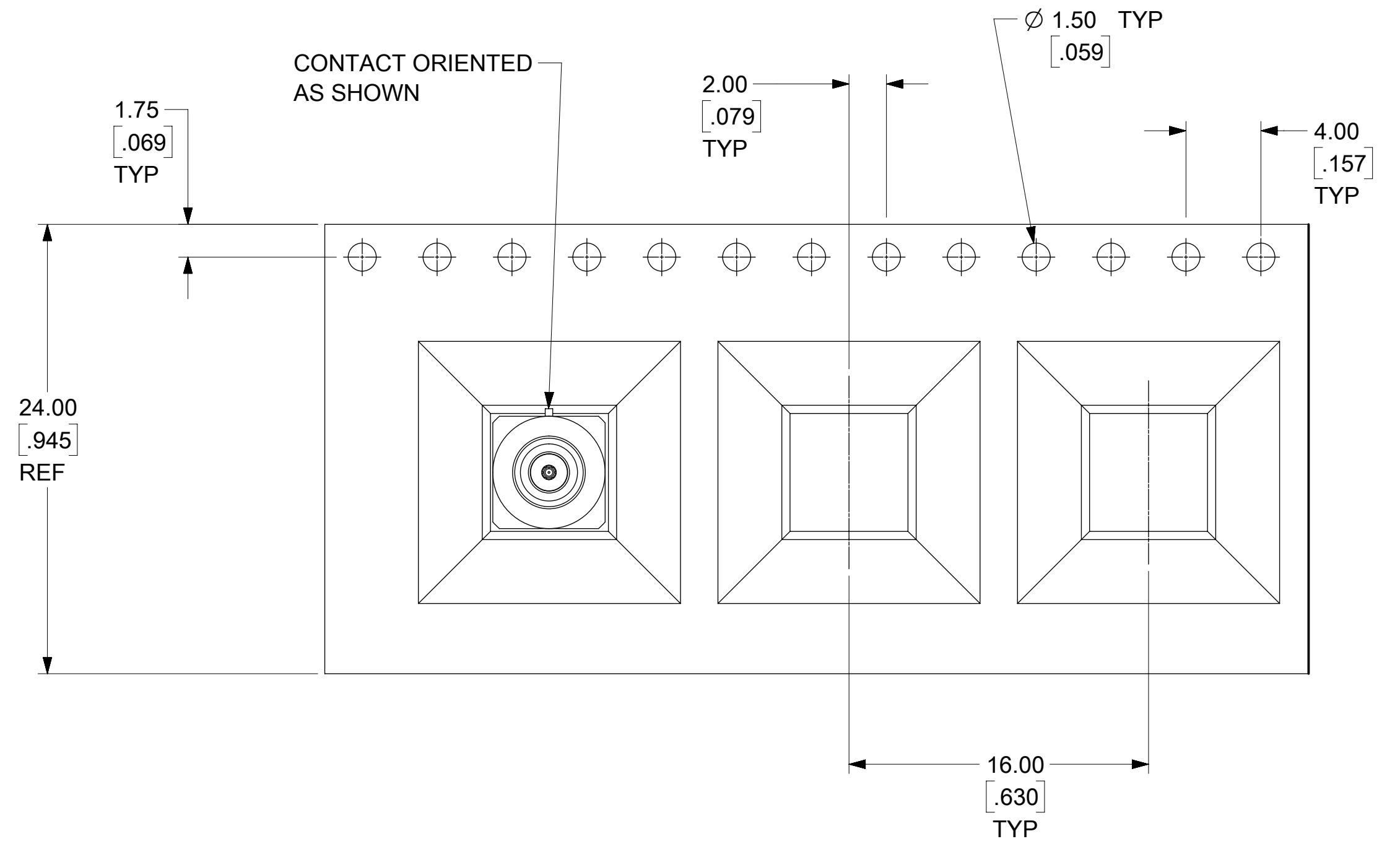
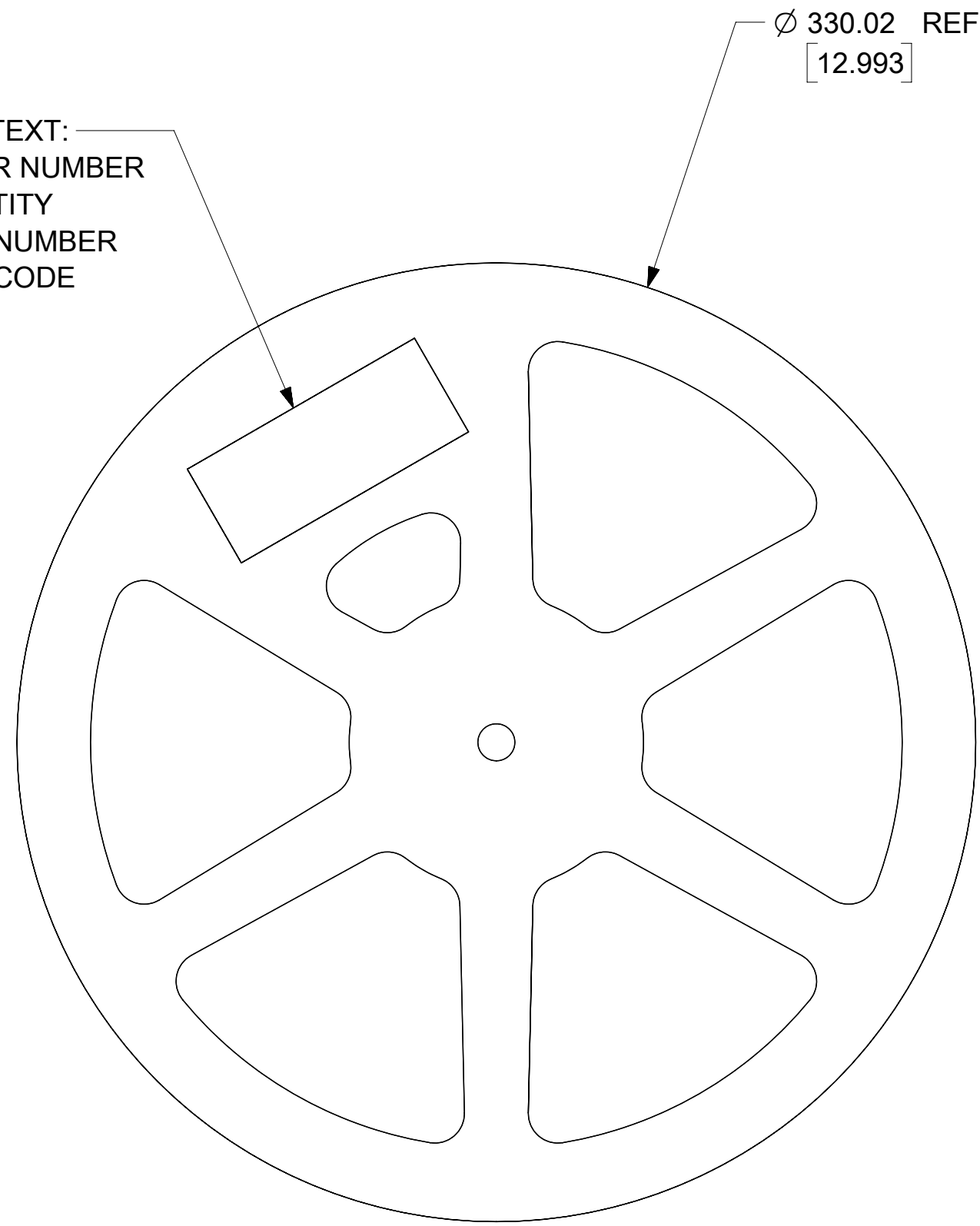
VARYING PCB STACKUPS AND PCB LAUNCH WILL RESULT IN VARYING RESULTS

CONTACT MOLEX RF / MICROWAVE FOR APPLICATION SPECIFIC ASSISTANCE

SYMBOLS	THIS DRAWING CONTAINS INFORMATION THAT IS PROPRIETARY TO MOLEX ELECTRONIC TECHNOLOGIES, LLC AND SHOULD NOT BE USED WITHOUT WRITTEN PERMISSION			
	DIMENSION UNITS		SCALE	
▽ = 0	MM/IN	NTS		CURRENT REV DESC:
▽ = 0	GENERAL TOLERANCES (UNLESS SPECIFIED)			
▽ = 0		MM	INCH	EC NO: 694071 DRWN: BSHAH 2022/01/28 CHK'D: SSSHAH 2022/02/04 APPR: KTAGAN 2022/02/04
▽ = 0	4 PLACES	±	±	
▽ = 0	3 PLACES	±	± 0.01	INITIAL REVISION: DRWN: SSHAH 2010/11/29 APPR: JWIENER 2010/12/16
▽ = 0	2 PLACES	±	± 0.25	
▽ = 0	1 PLACE	±	±	DRAFT WHERE APPLICABLE MUST REMAIN WITHIN DIMENSIONS
▽ = 0	0 PLACES	±	±	
▽ = 0	ANGULAR TOL ± 2.0°		THIRD ANGLE PROJECTION	DRAWING SERIES
▽ = 0				C-SIZE 73406

molex			
PRODUCT CUSTOMER DRAWING			
DOCUMENT NUMBER	DOC TYPE	DOC PART	REVISION
SD-73406-624	PSD	001	A4
MATERIAL NUMBER	CUSTOMER	SHEET NUMBER	
SEE SHEET1		2 OF 3	

LABEL TEXT:
 - ORDER NUMBER
 - QUANTITY
 - PART NUMBER
 - DATE CODE



SYMBOLS	THIS DRAWING CONTAINS INFORMATION THAT IS PROPRIETARY TO MOLEX ELECTRONIC TECHNOLOGIES, LLC AND SHOULD NOT BE USED WITHOUT WRITTEN PERMISSION													
	DIMENSION UNITS		SCALE		CURRENT REV DESC:									
∇ = 0	MM/IN	NTS		EC NO: 694071 DRWN: BSHAH 2022/01/28 CHK'D: SSSHAH 2022/02/04 APPR: KTAGAN 2022/02/04						SMP PLUG STR PCB 50 ? LIMITED DETENT EWR-13303, SMP-P/PCB				
∇ = 0	GENERAL TOLERANCES (UNLESS SPECIFIED)											INITIAL REVISION:		
∇ = 0				DRWN: SSHAH 2010/11/29						SD-73406-624		PSD	001	A4
∇ = 0				APPR: JWIENER 2010/12/16						SEE SHEET 1				SHEET NUMBER
∇ = 0				DRAFT WHERE APPLICABLE MUST REMAIN WITHIN DIMENSIONS						MATERIAL NUMBER		CUSTOMER		3 OF 3
∇ = 0				THIRD ANGLE PROJECTION		DRAWING		SERIES						
∇ = 0				C-SIZE		73406								

DOCUMENT STATUS	P1	RELEASE DATE	2022/02/04	20:20:31
-----------------	----	--------------	------------	----------