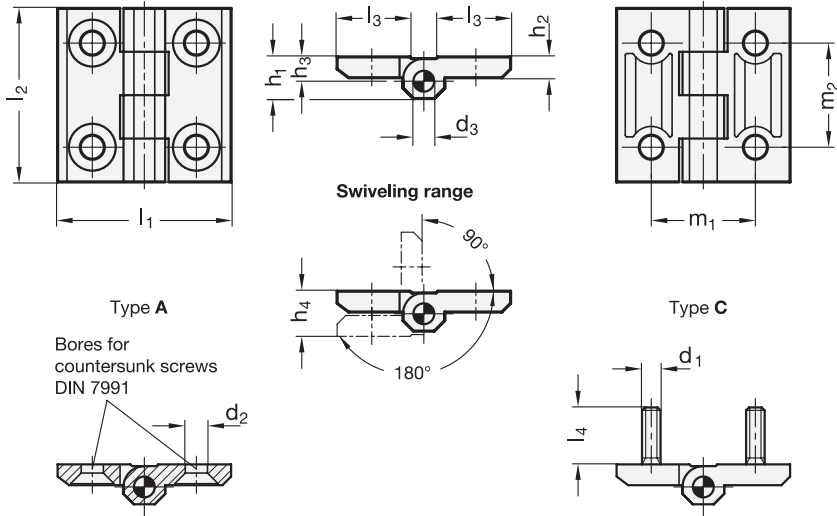


GN 237

Zinc Die-Cast / Stainless Steel / Aluminum

Hinges

with Countersunk Bores or Threaded Studs



SS Stainless Steel

4 Type

- A 2x2 bores for countersunk screws
- C 2x2 threaded studs

Metric table

Dimensions in: millimeters - inches

I ₁	I ₂	Material						d ₁ Thread	d ₂	d ₃	h ₁	h ₂	h ₃	h ₄ +0.5	I ₃	I ₄		m ₁	m ₂	
		Type A			Type C											ZD	NI			
30 1.18	30 1.18	ZD	NI	A4	AL	-	-	-	4.3 0.17	3 0.12	7.5 0.30	4 0.16	4.3 0.17	8.6 0.34	10.7 0.42	10.7 0.42	-	-	18 0.71	18 0.71
40 1.57	40 1.57	ZD	NI	A4	AL	ZD	NI	M 5	5.3 0.21	4 0.16	9 0.35	5 0.20	5.5 0.22	11 0.43	14 0.55	16 0.63	12 0.47	11 0.43	25 0.98	25 0.98
50 1.97	50 1.97	ZD	NI	A4	AL	ZD	NI	M 6	6.4 0.25	6 0.24	11.5 0.45	6 0.24	6.5 0.26	13 0.51	18.5 0.73	21 0.83	12 0.47	13 0.51	30 1.18	30 1.18
60 2.36	60 2.36	ZD	NI	A4	AL	ZD	NI	M 8	8.3 0.33	8 0.31	15 0.59	8 0.31	8.5 0.33	17 0.67	21.5 0.85	26 1.02	14 0.55	17 0.67	36 1.42	36 1.42

Specification

- Body
 - Zinc die-cast **ZD**
 - Powder coated
 - Black, RAL 9005, textured finish **SW**
 - Silver, RAL 9006, textured finish **SR**
 - Chrome plated finish **CR**
- Stainless steel
 - AISI CF-8 **NI**
 - AISI 316 **A4**
 - Matte shot-blasted finish **GS**
- Aluminum **AL**
 - Anodized finish, natural color **EL**
- Pin
 - Stainless steel AISI 303 (for ZD)
 - Stainless steel AISI 316Ti (for AL, NI, A4)
- Threaded studs (Type C)
 - Stainless steel AISI 316 (for ZD)
 - Stainless steel AISI CF-8 (for NI casted in "one piece")
- Load Rating Information → page 2088
- Stainless Steel Characteristics → page 2143
- RoHS compliant

Information

GN 237 hinges are characterized by their compact and stable design. The various material and surface choices in combination with two mounting types enable very specific applications.

see also...

- List of Hinge Types → page 1324
- Lift-Off Hinges GN 337 → page 1407
- Hinges GN 235 (Adjustable) → page 1405
- Hinges GN 238 (Technopolymer Plastic, Adjustable) → page 1402
- Hinges EN 237.1 (Technopolymer Plastic) → page 1334
- Spacer Plates GN 2370 (Stainless Steel) → page 1380
- Spacer Plates with Tapped Holes GN 2372 (Stainless Steel) → page 1381
- Limit Stops GN 2374 → page 1336

How to order

GN 237-ZD-60-60-A-SR

1	Material
2	Width I ₁
3	Length I ₂
4	Type
5	Finish