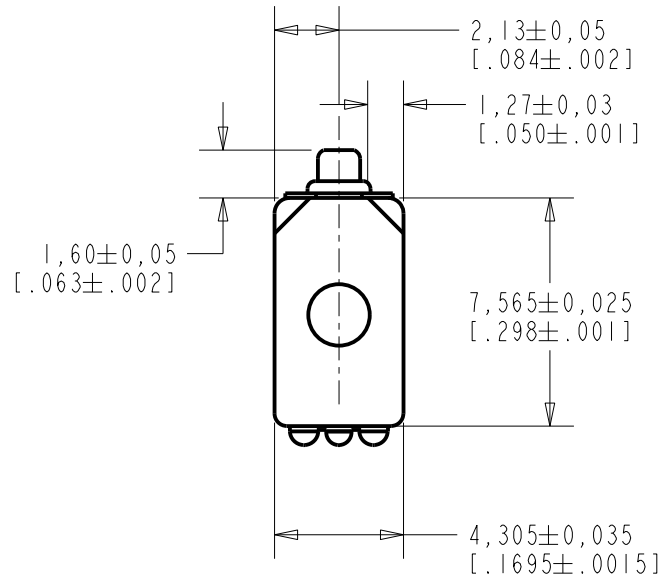
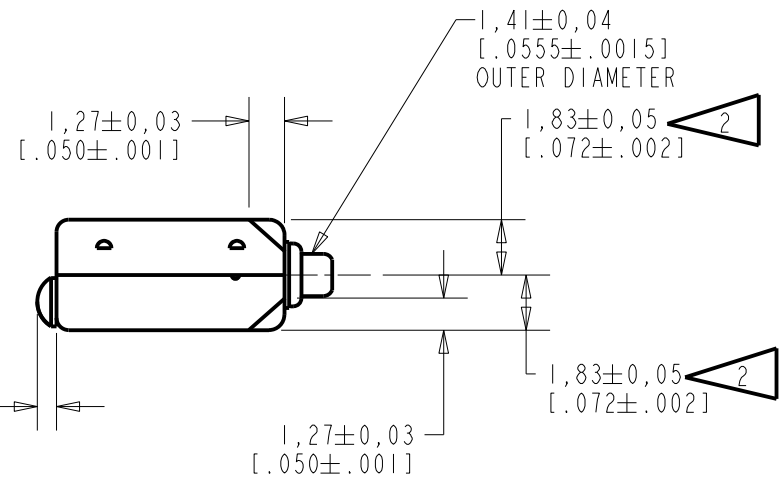
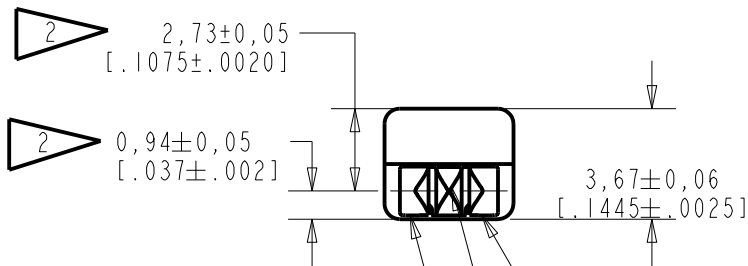


EC-23098-000
SHT 1.1

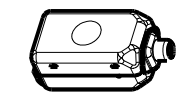


NOTES:

- 1 A POSITIVE GOING VOLTAGE AT TERMINAL 2, RELATIVE TO THE CENTER-TAP TERMINAL, OR A NEGATIVE GOING VOLTAGE AT TERMINAL 1, RELATIVE TO THE CENTER TAP TERMINAL, CAUSES A DECREASE IN PRESSURE AT THE SOUND OUTLET.
- 2 LOCATED FROM TWO SURFACES FOR CUSTOMER CONVENIENCE. ONLY APPLICABLE FROM ONE SURFACE, NOT TO BE USED TOGETHER.



0,635 [.025] MAXIMUM SOLDER BUILDUP



SCALE 2:1
NOMINAL WEIGHT
.42 GRAMS

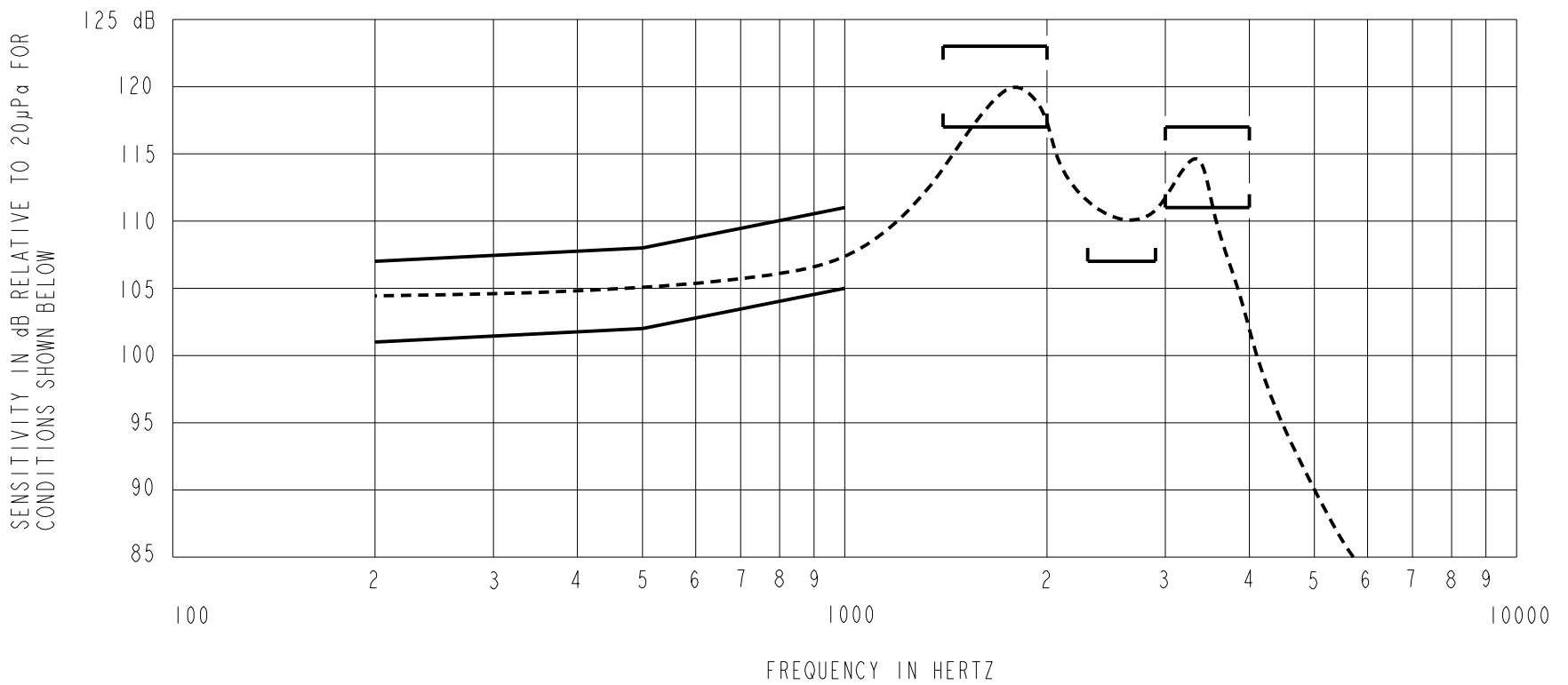
DIMENSIONS IN MILLIMETERS [INCHES]

TERMINAL 2 (POSITIVE)
CENTERTAP TERMINAL
TERMINAL 1 (NEGATIVE)

Revision	C.O. #	Implementation Date	RELEASE LEVEL	REVISION
C	CI0115009	7-11-13	Active	C
B	CI0106330	9-3-07		
A	CI0103421	11-14-05		

SCALE: 4:1		DR. BY	DATE
DO NOT SCALE DRAWING		CRG	11-14-05
TITLE: RECEIVER		EC-23098-000	GJP 11-22-05
OUTLINE DRAWING		SHT 1.1	APP. BY DATE GJP 11-22-05

KNOWLES ELECTRONICS
ITASCA, ILLINOIS U.S.A.



NOTES:

1. MEASUREMENTS MADE USING 10mm (.394") OF 1mm (.039") ID TUBE CONNECTED TO A SIMULATED ANSI S3.7 TYPE HA-3 COUPLER . (IEC 60318-5).

2. SENSITIVITY

FREQUENCY	MIN.	MAX.
200	101.0	107.0
500	102.0	108.0
1000	105.0	111.0
1400-2000	117.0	123.0
2300-2900	107.0	---
3000-4000	111.0	117.0

3. RESPONSE, IMPEDANCE, AND DISTORTION MEASUREMENTS MADE USING THE ELECTRICAL TEST CONDITIONS SHOWN BELOW.
 4. ELECTRICAL SOURCE IMPEDANCE MUST BE GREATER THAN 20 TIMES 1KHz IMPEDANCE FOR TEST CONDITIONS SHOWN BELOW.
 5. INDIVIDUAL SPECIFICATIONS:

PORT LOCATION	IMPEDANCE OHMS ±15%		DCR @20°C OHMS ±10%	DISTORTION		ELECTRICAL TEST CONDITIONS	
	1KHz	500Hz		MAX. %	FREQ Hz	AC mA RMS	DC mA
12S	840	425	196	10	800	0.77	0.00

Revision	C.O. #	Implementation Date	RELEASE LEVEL	REVISION
C	C10115009	7-11-13	Active	C
B	C10106330	9-3-07		
A	C10103421	11-14-05		

KNOWLES ELECTRONICS
 ITASCA, ILLINOIS U.S.A.

WHEN TEST LIMITS ARE USED TO ESTABLISH INCOMING INSPECTION ACCEPTANCE/REJECTION CRITERIA, CORRELATION OF TEST EQUIPMENT WITH KNOWLES IS ALSO REQUIRED FOR ELIMINATION OF EQUIPMENT AND TEST METHOD VARIATION

TITLE: **RECEIVER** **EC-23098-000**
 PERFORMANCE SPECIFICATION **SHT 2.1**

DR. BY	DATE
CRG	11-14-05
CK. BY	DATE
GJP	11-22-05
APP. BY	DATE
GJP	11-22-05