



# MS115T Series

Ø115mm Multi Function LED Signal Light

- Low body type (20mm)
- Wide light distribution with prism-cut lens
- Outstanding visibility at distance
- 2 flashing patterns (selectable by DIP Switch)
- IP65 rated



## Specifications

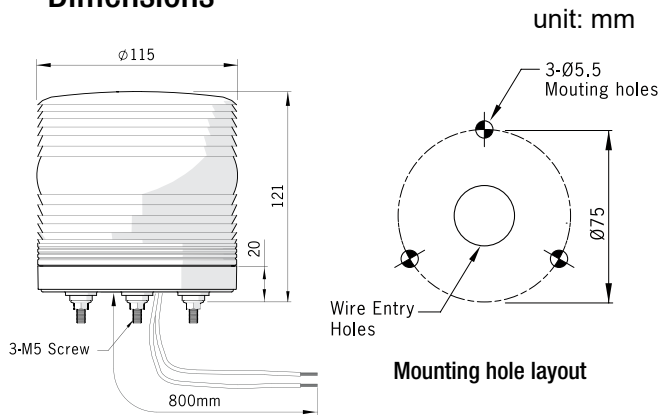
| Lighting type                 | Steady/Flashing/Rotating w/Buzzer   |   |
|-------------------------------|---|---|
| Power Supply                  | 12-24V AC/DC  | 90-240V AC                                      |
| Current Consumption           | Red   | 0.54A/ 0.69A(w/Buzzer) 0.08A/ 0.23A (w/Buzzer)  |
|                               | Yellow  | 0.53A/ 0.69A (w/Buzzer) 0.07A/ 0.23A (w/Buzzer) |
|                               | Green   | 0.25A/ 0.39A (w/Buzzer) 0.04A/ 0.19A (w/Buzzer) |
|                               | Blue  | 0.54A/ 0.69A (w/Buzzer) 0.08A/ 0.23A (w/Buzzer) |
|                               | Clear   | 0.24A/ 0.39A (w/Buzzer) 0.04A/ 0.19A (w/Buzzer) |
| Flash Rate(adjustable)        | F1: 80 ±10 flashes/minute<br>F3: 240 ±10 flashes/minute(Emergency signal) |   |
| Rotation Rate                 | 60 ~ 300±10 rpm (Clockwise)   |   |
| Alarm Sound Level(Adjustable) | 10 - 100dB±5 at 1m  |   |
| Vibration                     | 0.75mm at 10~55 Hz  |   |
| Ambient Temperature           | -20~40°C  |   |
| Storage Temperature           | -20~70°C  |   |
| Ambient Humidity              | 45~85% RH   |   |
| Degree of Protection          | IP65  |   |
| Recommended Wire Size         | UL1007/22AWG  |   |
| Weight                        | 360g  |   |
| Certificate/Compliance        | RoHS, UL  |   |

## Ordering Information

MS115T - R 00 - R  
 ① ② ③

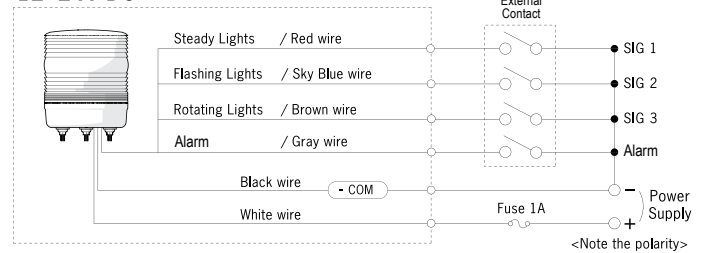
| ①<br>Light Style | F  | Steady/Flashing                |
|------------------|----|--------------------------------|
|                  | R  | Steady/Flashing/Rotating       |
|                  | B  | Steady/Flashing/Rotating+Alarm |
| ②<br>Power       | 00 | 12 - 24V AC/DC                 |
|                  | FF | 90 - 240V AC                   |
| ③<br>Lens Colors | R  | Red                            |
|                  | Y  | Yellow                         |
|                  | G  | Green                          |
|                  | B  | Blue                           |
|                  | C  | Clear                          |

## Dimensions

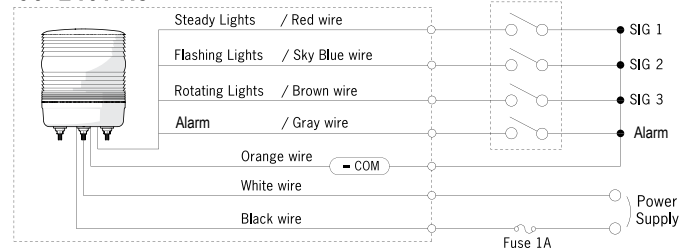


## Wiring Diagram

### 12-24V DC

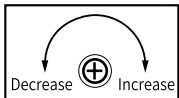


### 90-240V AC

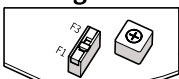


## Function Setting

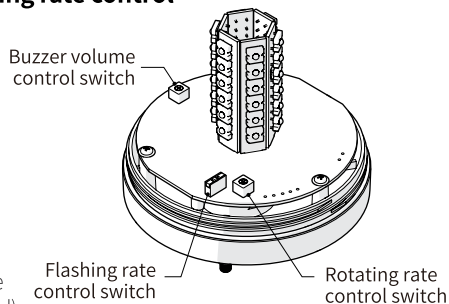
### Buzzer volume / Rotating rate control



### Flashing rate control



F1: 80 ±10 times per minute  
 F3: 240 ±10 times per minute  
 (when using emergency signal)



## Wall mounting options (for all MS115 Series)

