



4302F-5V, 4302F-12V Series Integrated Resistor 5 Volts 12 Volts T-1 (3mm)



Through-hole LEDs with Built-in 5V and 12V Resistor in the standard T-1 (3mm) size LED package. Available in 3 colors and 60° viewing angle

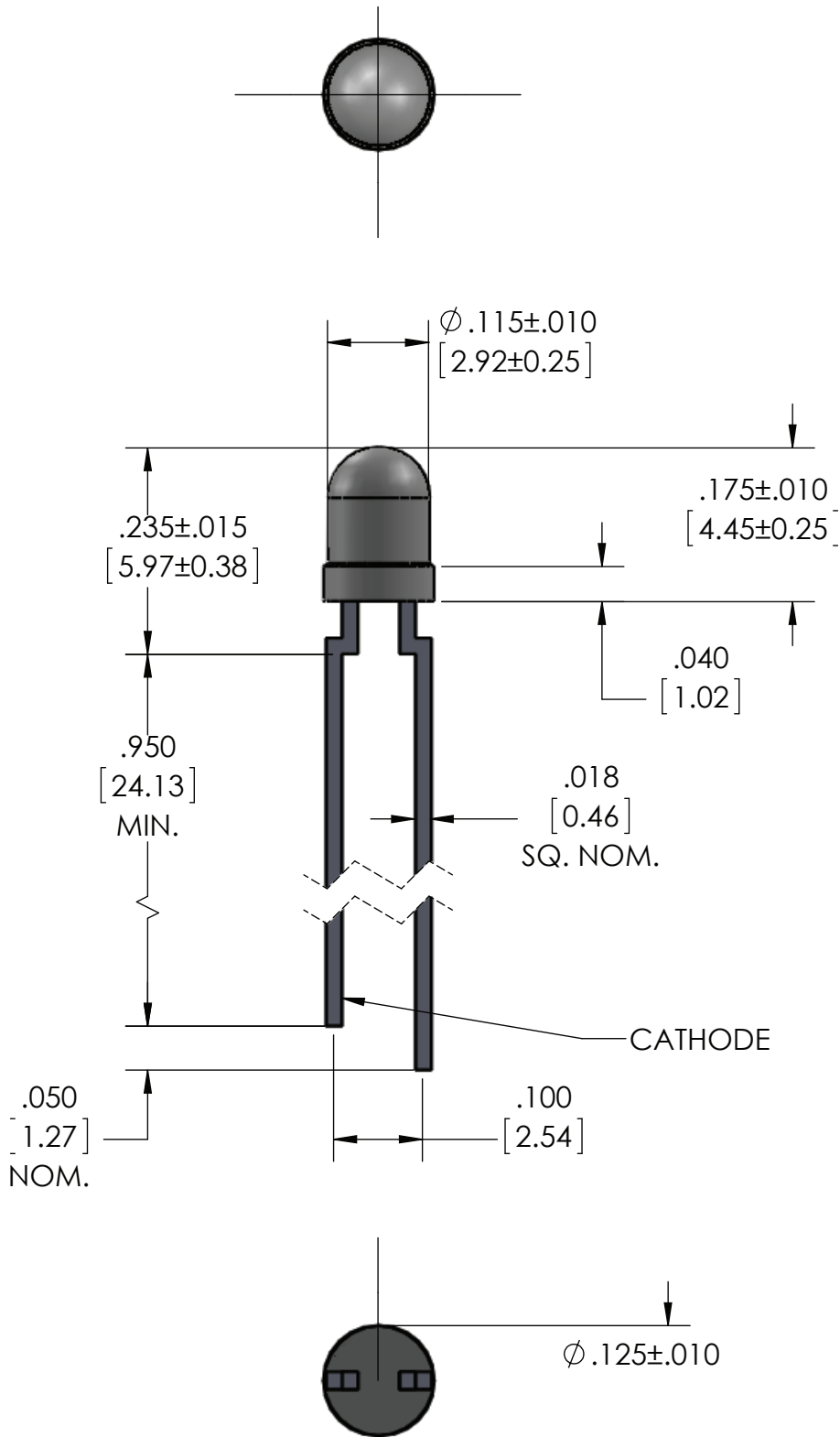
Key Features

- Integral current limiting resistor
- Wide viewing angle: 60°.
- TTL compatible requires no external current limiter with 5V or 12V supply.

Electro-Optical Characteristics and Ratings

PART NUMBER	4302F1-5V	4302F3-5V	4302F5-5V	4302F1-12V	4302F3-12V	4302F5-12V
Output Color	Red	Amber	Green	Red	Amber	Green
Diffusion	Diffused	Diffused	Diffused	Diffused	Diffused	Diffused
Package Color	Red	Amber	Green	Red	Amber	Green
Rated Current (mA)	10	10	10	13	13	13
Forward Voltage Typ. (V)	5	5	5	12	12	12
Forward Voltage Max. (V)	7.5	7.5	7.5	15	15	15
Luminous Intensity Min. (mcd)	2.0	2.0	2.0	2.1	2.0	2.0
Luminous Intensity Typ. (mcd)	8.0	8.0	8.0	8.0	8.0	8.0
Continuous Forward Current Max. (mA)	20	15	15	20	20	20
Peak Wavelength (nm)	635	583	565	635	583	565
Viewing Angle 2θ 1/2 (degrees)	60	60	60	60	60	60
Reverse Breakdown Voltage Min. (V)	5	5	5	5	5	5
Operating Temperature (°C)	-40 to +80	-40 to +85	-40 to +85	-40 to +85	-40 to +85	-20 to +85
Storage Temperature (°C)	-55 to +100	-55 to +100	-55 to +100	-55 to +100	-55 to +100	-55 to +100
Lead Solder Time at 260°C (sec.)	5	5	5	5	5	5

Product Dimensions



Dimensions in inches [mm]