

5

4

3

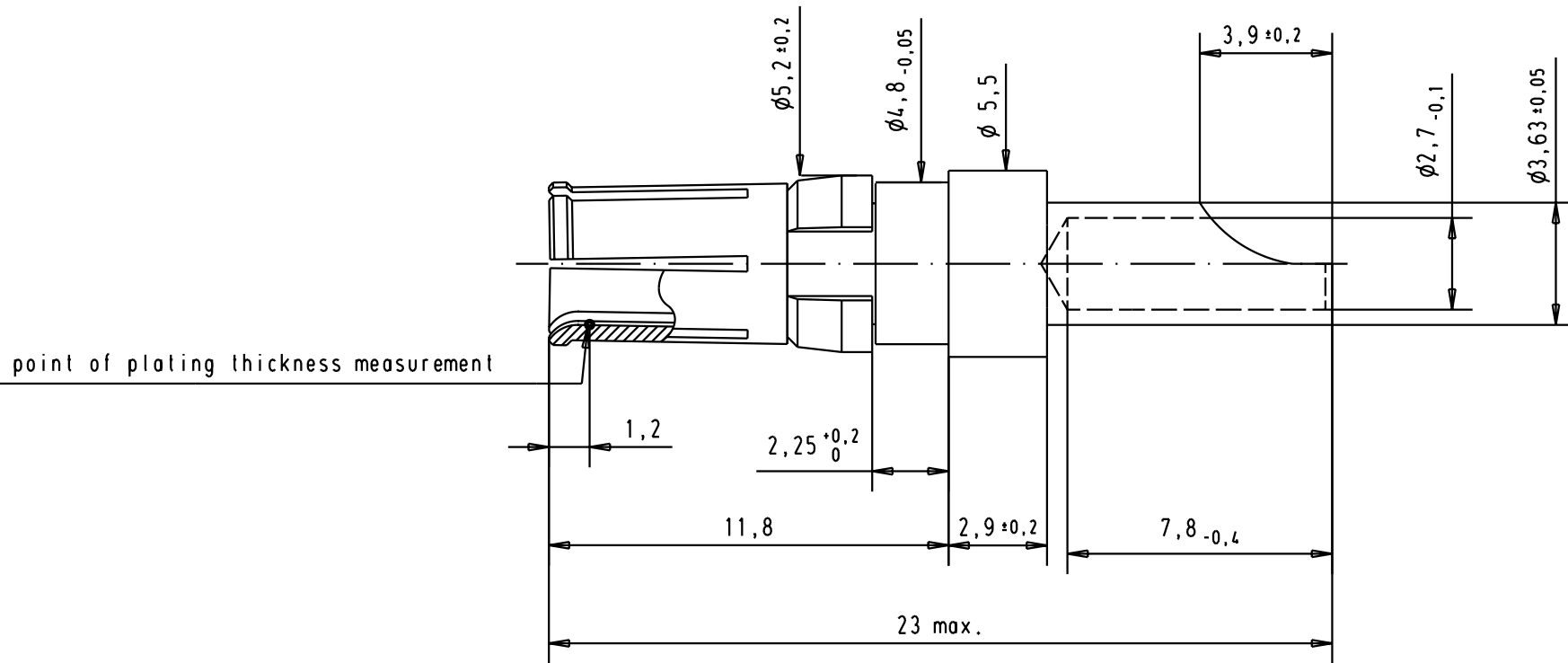
2



1

D

C

B



						Dat.		Name		 All Dim. in mm Orig. Size DIN A 4	Female High power contact, 20A, straight cable termination, solder	Maßstab/ Scale 5:1
						Detail.	21-JUN-02		CV			
						Insp.			Stand.			
09691817421	Mating area	0,2 µm Au									TB 09 69 181 x421	Blatt/ Page 1 / 1
	Termination area	5 µm Sn										
09691815421	Mating area	0,8 µm Au								HARTING EURL F-95972 Paris	Sub.	1 / 1
	Termination area	0,2 µm Au	31057	21-JUN-02	CV							
Part number	Plating		Mod.	Dat.	Name							