

THIS INFORMATION IS CONFIDENTIAL AND PROPRIETARY TO CW INDUSTRIES INCORPORATED AND ITS AFFILIATES. IT MAY NOT BE DISCLOSED TO ANYONE OTHER THAN CW INDUSTRIES PERSONNEL, WITHOUT WRITTEN AUTHORIZATION FROM CW INDUSTRIES INCORPORATED, SOUTHAMPTON, PENNSYLVANIA USA.

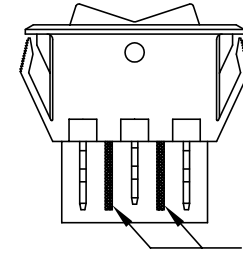
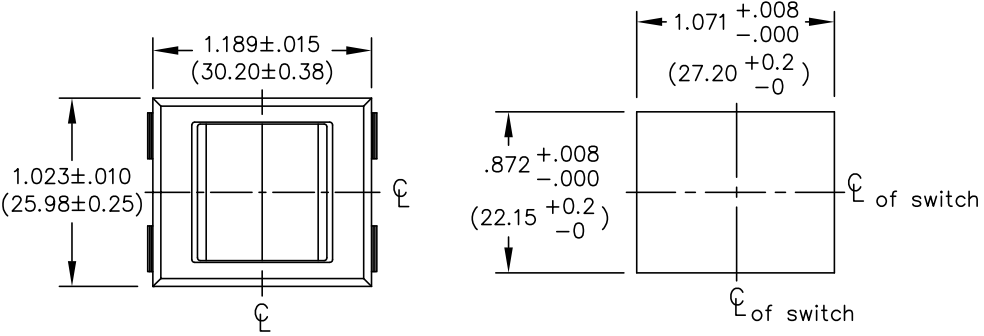
E  
D  
C  
B  
A

DIMENSIONS IN INCHES (MILLIMETERS)  
DO NOT SCALE DRAWING .....

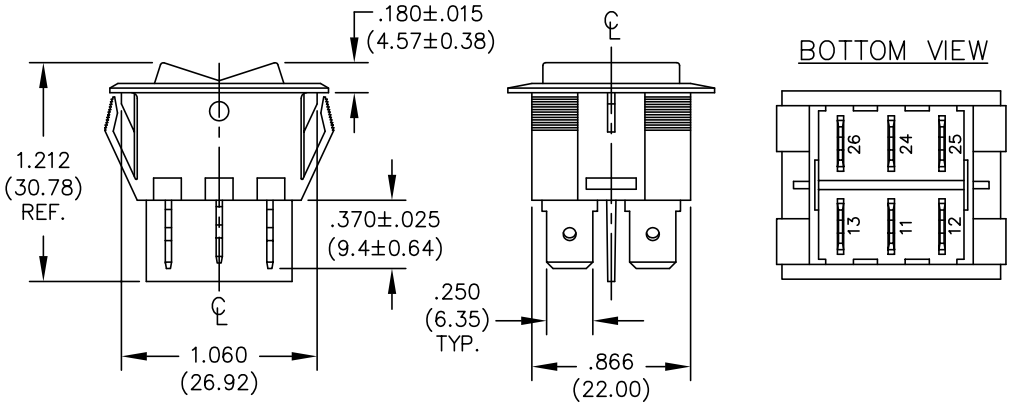
Dwg. No.  
GR-2023B-XXXX/2023C-XXXX

PANEL THICKNESS  
.025" to .150"  
(0.64mm to 3.81mm)

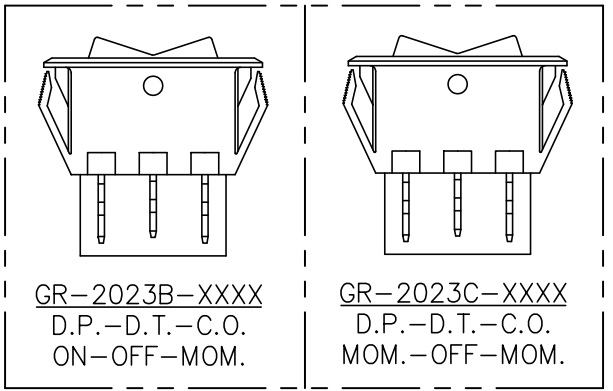
PANEL PIERCING



INSULATING BARRIERS BETWEEN TERMINALS  
OPTIONAL



BOTTOM VIEW



GR-2023B-XXXX  
D.P.-D.T.-C.O.  
ON-OFF-MOM.

GR-2023C-XXXX  
D.P.-D.T.-C.O.  
MOM.-OFF-MOM.

1 2 3 4 5 6 7 8 9 10

B-FORMAT 2002  
REVISIONS

PDF FILE MADE	<b>CW INDUSTRIES</b> Southampton, Pa. 18966		Title: PANEL MOUNT ROCKER SWITCH D.P.-D.T./MOMENTARY WITH OPTIONS
	TOLERANCES UNLESS OTHERWISE SPECIFIED		
	2 Place Decimal ±.010	METRIC	Division: SWITCH
	3 Place Decimal ±.005	1 Place Dec. ±.25mm	
	Angles ..... ±1°	2 Place Dec. ±.13mm	
Made for:	CW IND.	Dwg. No. GR-2023B-XXXX/2023C-XXXX	
Drawn by:	DGW 8-03-2010		
Checked by:			
Approval:			