

- 1
- 2
- 3
- 4
- 5
- 6
- 7
- 8
- 9
- 10
- 11
- 12
- 13
- 14
- 15
- 16
- 17
- 18

**CLAMP**

Acetal resin based (POM) technopolymer.

**BALL**

Glass-fibre reinforced polyamide based (PA) technopolymer, black colour, matte finish.

**MOUNTING**

Self-tapping screw Ø 4.8 mm. UNI 7981 B or M5 cylindrical head screw with hexagon socket DIN 912.

**FEATURES AND APPLICATIONS**

BPS ball-shaped door lock (ELESA patent) consists of a clamp to be fixed to a frame and a ball to be fixed to a door.

The clamp, in which the ball fixed to the closing door is inserted, is a mechanical stop device also to the door movement, thanks to its shape. The screws, that fix the clamp and the ball respectively to the frame and to the door, are identical. Thus, making the assembly easier.

In appositi test la pinza ha mantenuto sempre prestazioni invariate per oltre 20000 cicli.

The ball-shaped door lock has been conceived for use with both shutter doors and sliding doors.

The minimum thickness for the profile suitable for use is 15 mm, while the distance between door and frame must be within 2.5 mm and 3.5 mm (fig.1).

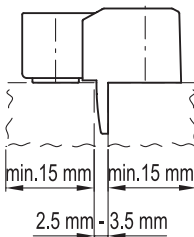
**ACCESSORIES ON REQUEST**

BPS.30-SP: acetal based (POM) technopolymer spacers kit 5, 10, 15 mm (sold separately), black colour in order to compensate possible differences in width between frame and door.

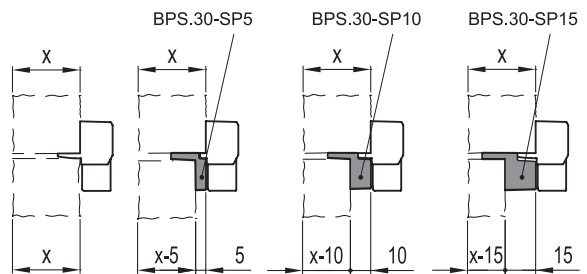


ELESA Original design

Fig.1

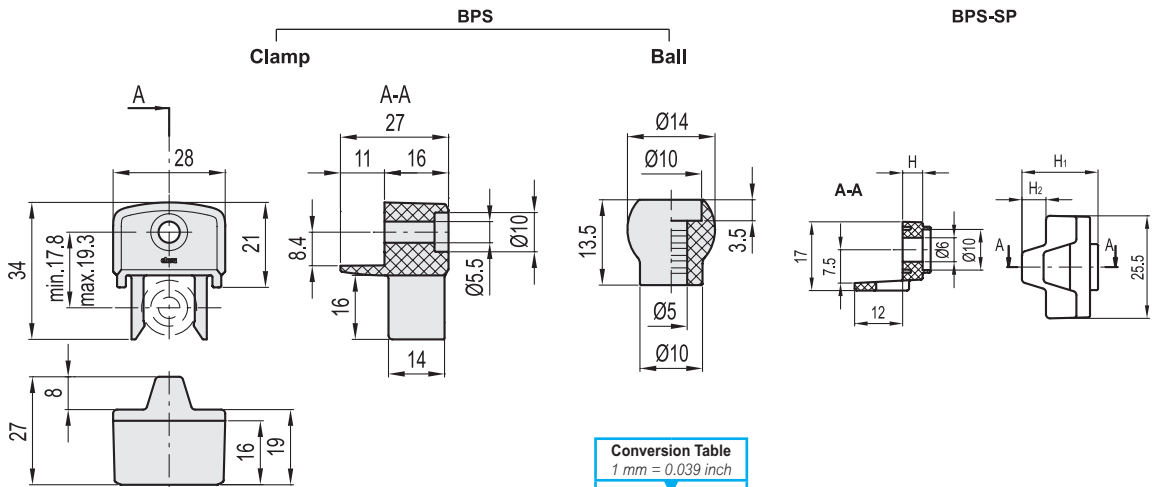
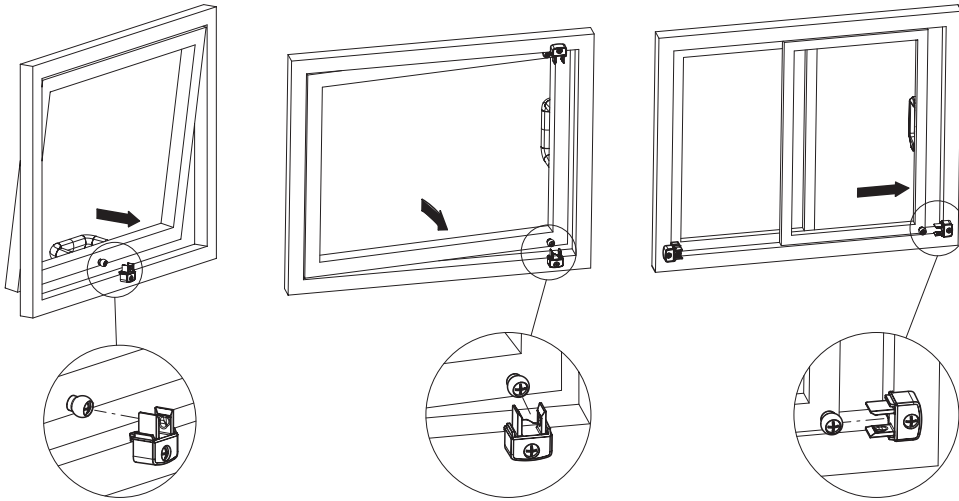


Examples of BPS.30-SP spacers assembly



Thickness differences between frame and door	Spacer to be used	Description
0	-	-
5 mm	5 mm	BPS.30-SP5
10 mm	10 mm	BPS.30-SP10
BPS.30-SP15	BPS.30-SP15	BPS.30-SP15
20 mm	10 mm + 10 mm	BPS.30-SP10 + BPS.30-SP10
25 mm	10 mm + 15 mm	BPS.30-SP10 + BPS.30-SP15
30 mm	15 mm + 15 mm	BPS.30-SP15 + BPS.30-SP15

Application examples



BPS			
Code	Description	Opening release strength [N]	⚖️
6251	BPS.30	30	10

BPS-SP					
METRIC					
Code	Description	H	H1	H2	⚖️
6253	BPS.30-SP5	5	19	6	3
6254	BPS.30-SP10	10	23	8	4
6255	BPS.30-SP15	15	28	9	5

