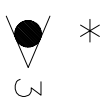
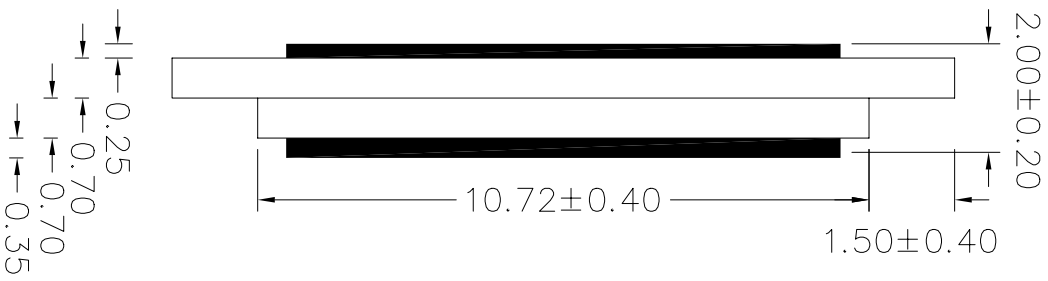


REMARK : * - REFER TO COVER PAGE

| | | | | | |
|---------------------|--|--------------------------|--|----------------------------------|--|
| DRAWING : VARI-4510 | | TDL : 4/4 IF NOT SPECIFY | | 3 rd ANGLE PROJECTION | |
| REV : 10 | | DD NOT SCALE DRAWING | | | |
| DROWN by : SUY | | SIGN : | | | |
| Checked by : MAKD | | Date : 98-05-25 | | | |
| | | Date : | | | |



NC

DWG.NO. : VI-451 (REV.0)

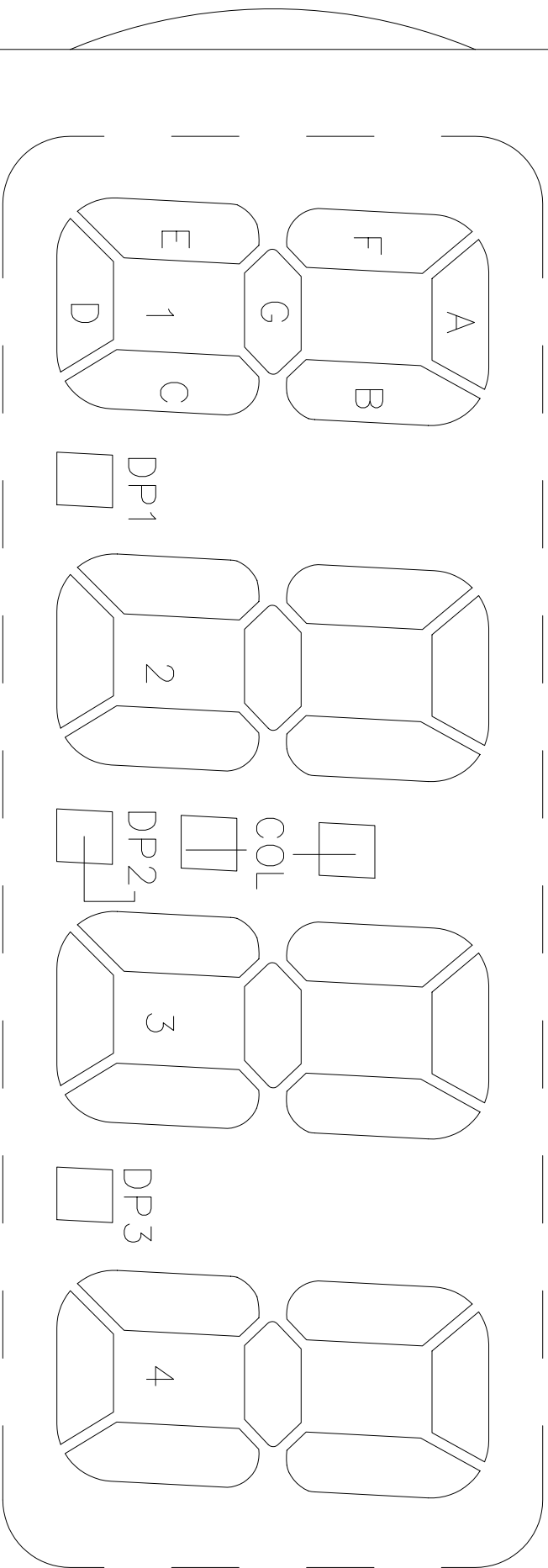
PIN36

PIN19

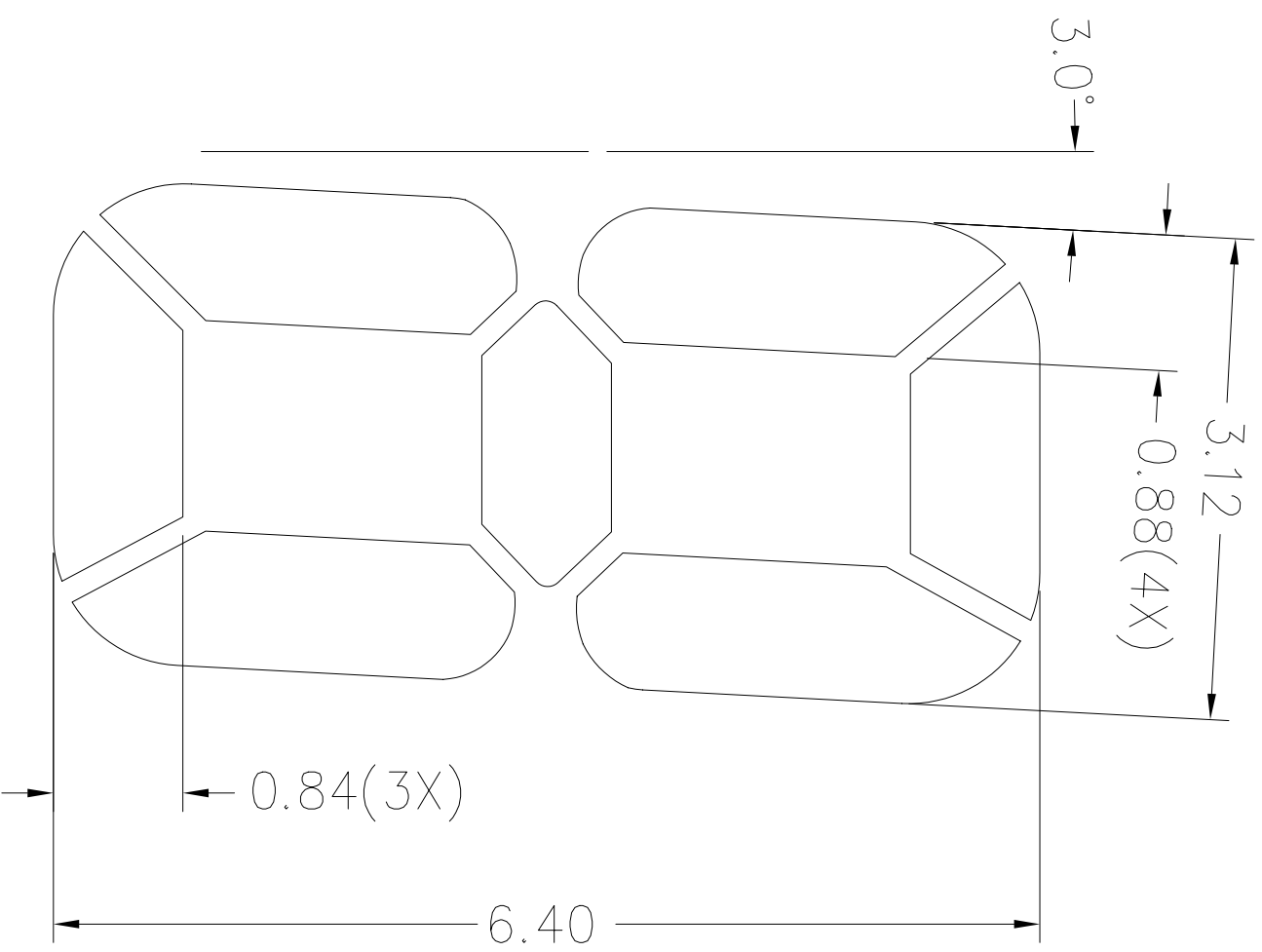
PIN1

PIN18

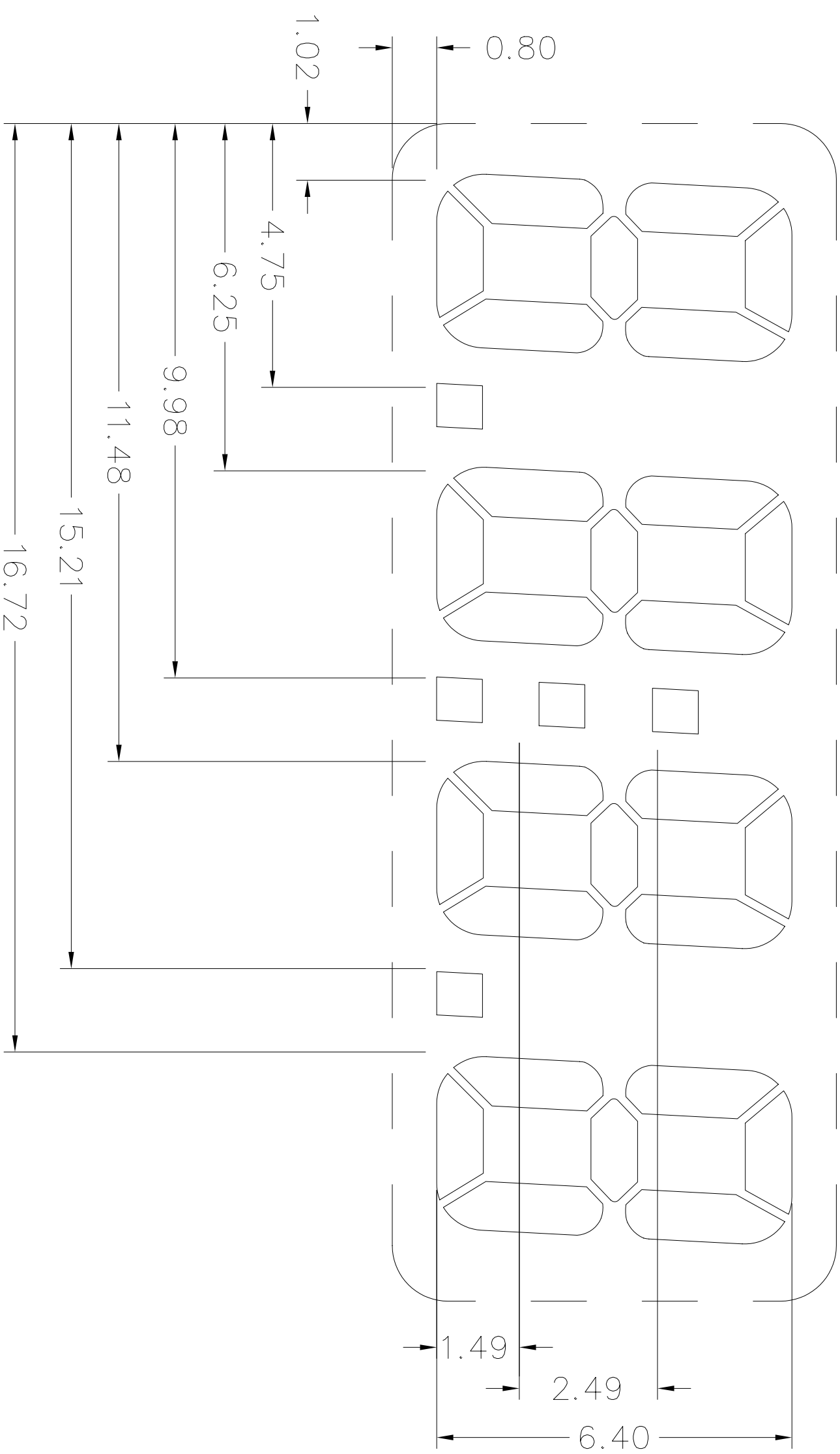
NC



DWG. NO. : VI-451 (REV. 0)

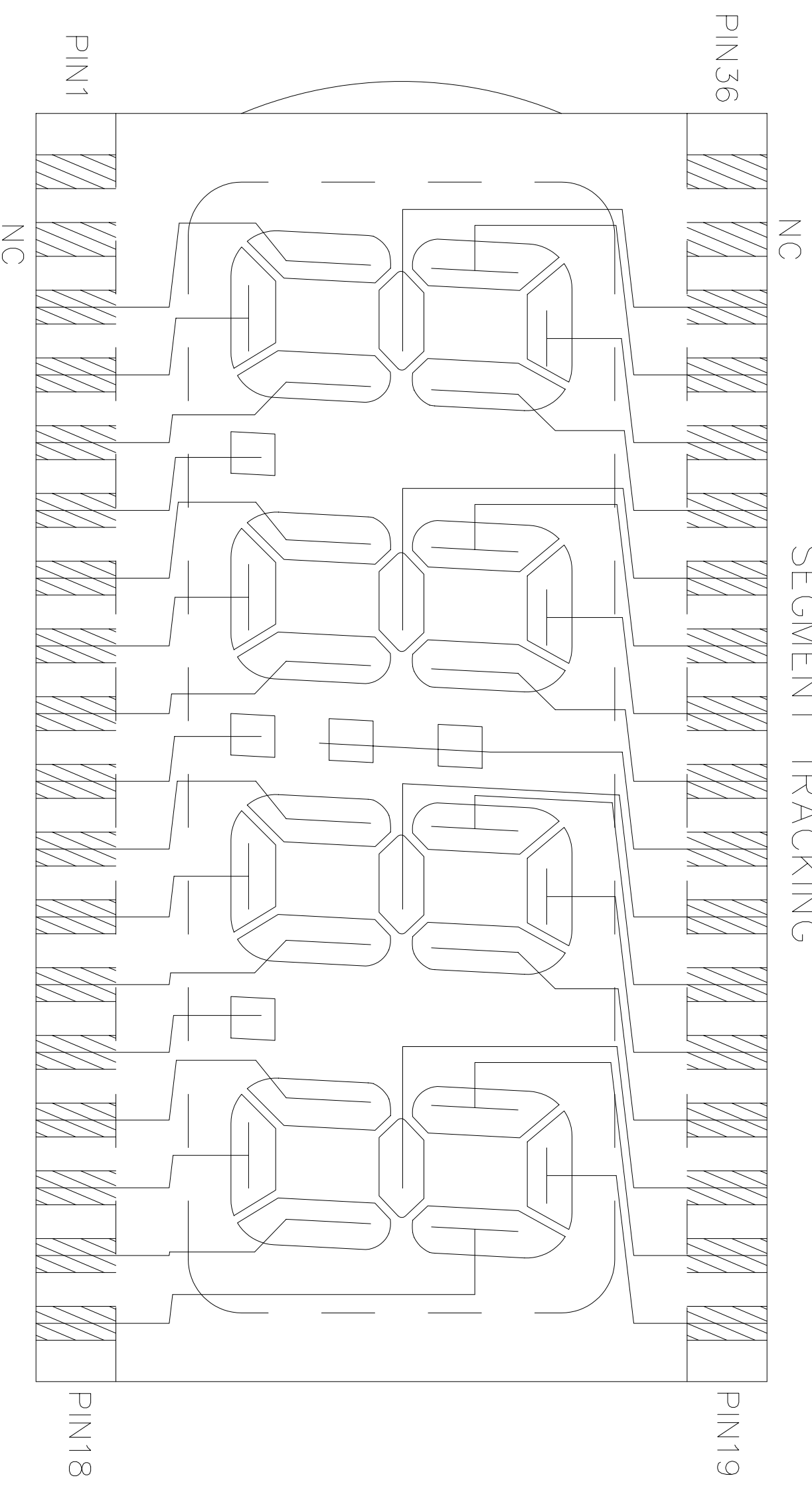


DWG.NO. : VI-451 (REV.0)

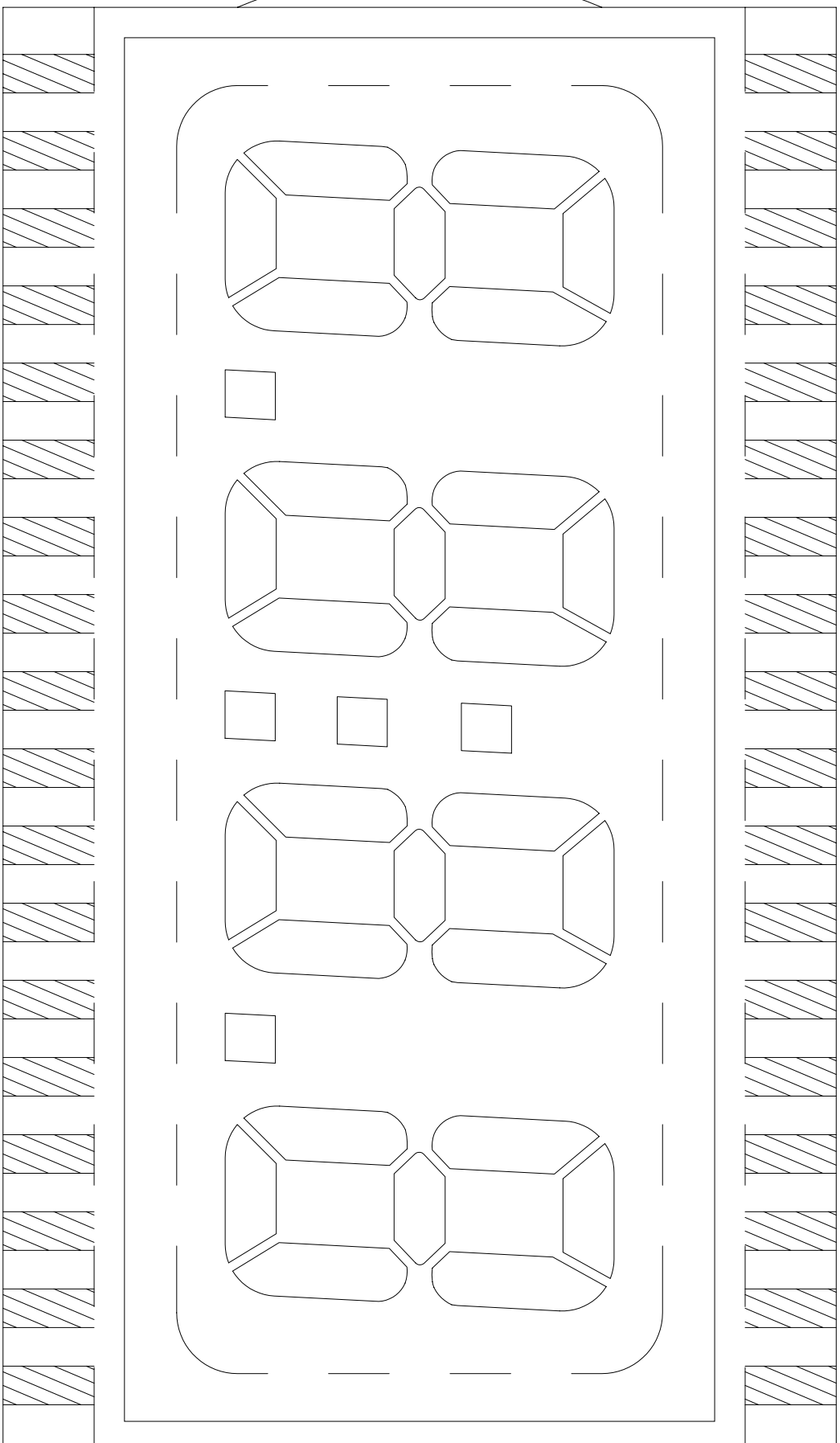


DWG. NO. : VI-451 (REV.0)

SEGMENT TRACKING



DWG. NO. : VI-451 (REV.0)

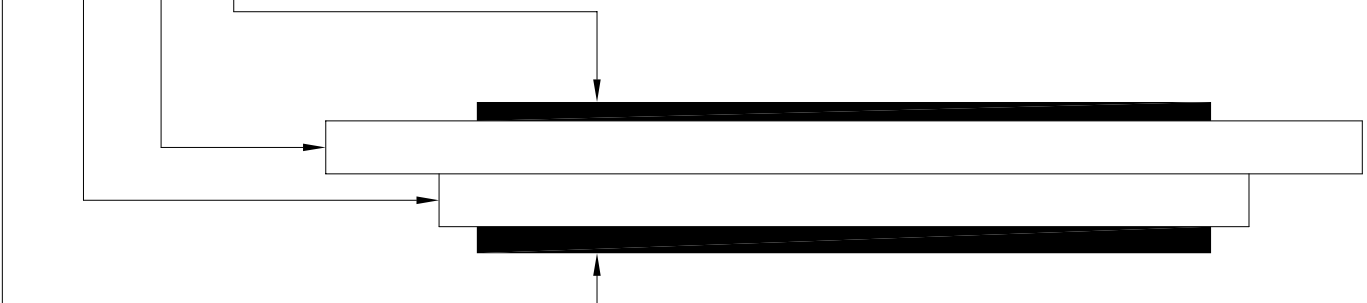


FRONT POLARIZER

FRONT GLASS

BACK GLASS

BACK POLARIZER



DWG.NO. : VI-451 (REV.0)

| PIN | COM | PIN | COM |
|-----|-----|-----|-----|
| 1 | COM | 19 | 4A |
| 2 | NC | 20 | 4F |
| 3 | 1E | 21 | 4G |
| 4 | 1D | 22 | 3B |
| 5 | 1C | 23 | 3A |
| 6 | DP1 | 24 | 3F |
| 7 | 2E | 25 | 3G |
| 8 | 2D | 26 | COL |
| 9 | 2C | 27 | 2B |
| 10 | DP2 | 28 | 2A |
| 11 | 3E | 29 | 2F |
| 12 | 3D | 30 | 2G |
| 13 | 3C | 31 | 1B |
| 14 | DP3 | 32 | 1A |
| 15 | 4E | 33 | 1F |
| 16 | 4D | 34 | 1G |
| 17 | 4C | 35 | NC |
| 18 | 4B | 36 | COM |

REMARKS :

1) NC = NO CONNECTION

2) PCB LINKAGE : PIN1 & PIN36