

DTMF receiver for telephones

BU8874 / BU8874F

The BU8874 and BU8874F are DTMF receiver ICs developed for use in telephone answering machines, and convert 16 different types of DTMF signals into 4-bit binary serial data. In addition to a compact 8-pin DIP (BU8874) package, these receivers feature a wide dynamic range, eliminating the need for an external input amplifier. Expertise from a number of companies has been incorporated into these products to enable guard time control through a host microcontroller.

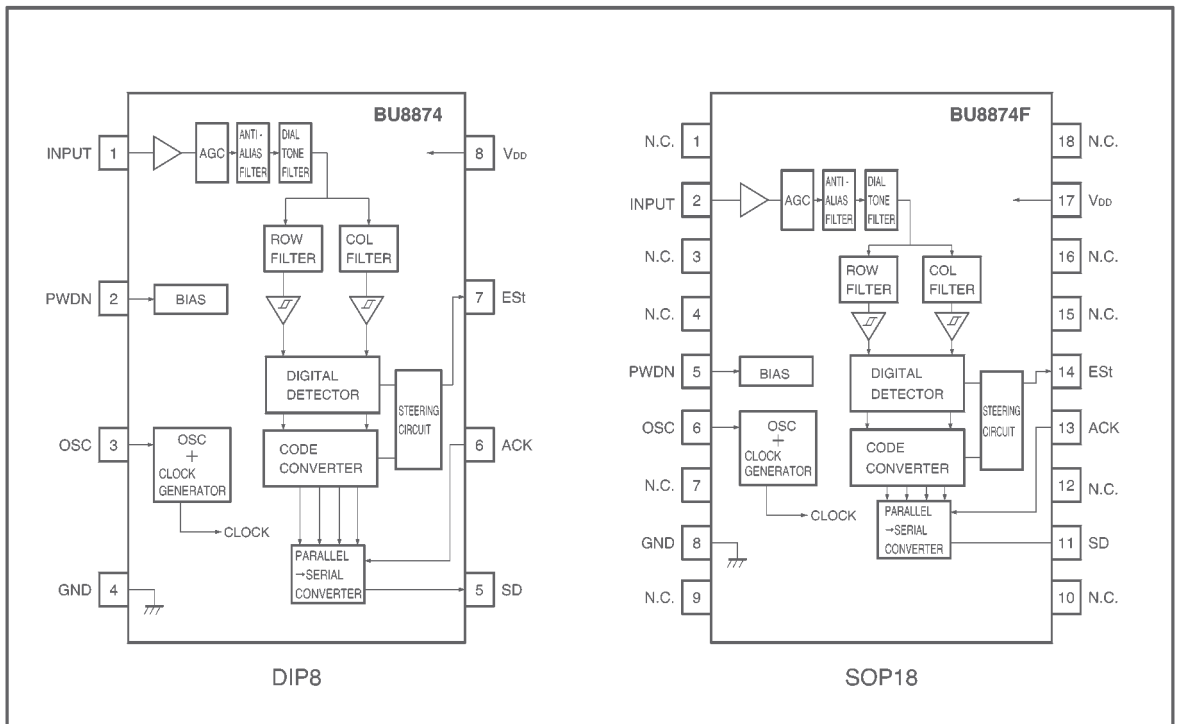
●Applications

Telephone answering machines

●Features

- 1) Dynamic range of 45dB. (internal AGC)
- 2) Power down mode.
- 3) 4-bit binary serial data output.
- 4) Guard time can be controlled through host microcontroller.
- 5) Input pins equipped with hysteresis. (ACK pin)
- 6) 4.19MHz crystal resonator can be used.
- 7) 8-pin DIP package. (BU8874)

●Block diagram



● Absolute maximum ratings (Ta=25°C)

| Parameter | Symbol | Limits | Unit |
|-----------------------|------------------|------------------------------|------|
| Power supply voltage | V _{DD} | 7 | V |
| Input voltage | V _{IN} | GND-0.3~V _{DD} +0.3 | V |
| Output voltage | V _{OUT} | GND-0.3~V _{DD} +0.3 | V |
| Power dissipation | BU8874 | 500*1 | mW |
| | BU8874F | 550*2 | |
| Operating temperature | Topr | -10~+70 | °C |
| Storage temperature | Tstg | -55~+125 | °C |

*1 Reduced by 5mW for each increase in Ta of 1°C over 25°C.

*2 Reduced by 5.5mW for each increase in Ta of 1°C over 25°C.

● Recommended operating conditions (Ta=25°C)

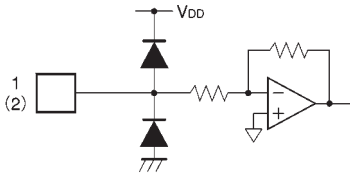
| Parameter | Symbol | Limits | Unit |
|---------------------------------|-----------------|-----------|------|
| Power supply voltage | V _{DD} | 4.75~5.25 | V |
| Oscillation frequency | fosc | 4.194304 | MHz |
| Oscillation frequency deviation | Δ fosc | -0.1~+0.1 | % |

● Pin descriptions

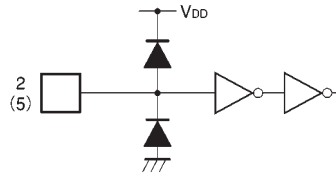
| Pin No. BU8874 | Pin No. BU8874F | Pin name | Function |
|-------------------|--------------------------------|-----------------|---|
| 1 | 2 | INPUT | This is the audio signal input pin, and should be coupled. |
| 2 | 5 | PWDN | Power down signal input pin. "L" level is the normal operation mode. "H" level enters the power down mode and lowers power consumption. When setting this pin to the "H" level, first set the ACK pin to the "L" level. |
| 3 | 6 | OSC | This is the input pin for the internal oscillator. Connect a 4.194304 MHz crystal resonator between this pin and GND, or use input from an external oscillator. |
| 4 | 8 | GND | This is the ground pin. |
| 5 | 11 | SD | This is the serial data output pin. If a series of pulses is input to the ACK pin while the EST pin is HIGH, the SD output pin outputs a 4-bit binary code corresponding to the DTMF signal shown in Table 1. |
| 6 | 13 | ACK | This is the acknowledgement pulse input pin. It is equipped with hysteresis. After the EST pin goes HIGH, the four consecutive pulses input to the ACK pin cause the 4-bit data corresponding to the DTMF signal of the SD pin output to be output. The rising edge of the first pulse is latched before the data is shifted. |
| 7 | 14 | EST | This is the steering signal output pin. When there is a valid DTMF signal, this pin goes HIGH. |
| 8 | 17 | V _{DD} | This is the power supply pin. |
| | 1,3,4,7 9,10,12 15,16,18 | N.C. | This is the N.C. pin. It is not connected inside the IC. |

● Input / output circuits

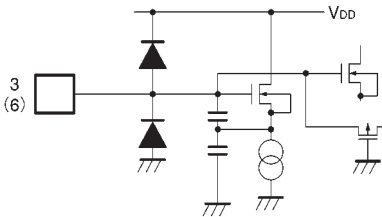
INPUT



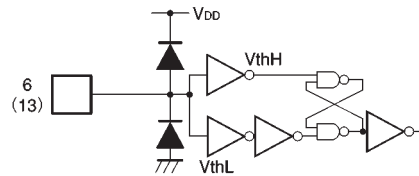
PWDN



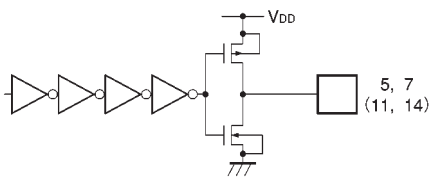
OSC



ACK



SD ESt



●Electrical characteristics (unless otherwise noted, Ta=25°C, V_{DD}=5.0V)

| Parameter | Symbol | Min. | Typ. | Max. | Unit | Conditions | ν in (dBm) | |
|--------------------------------------|------------------|----------------------|------|-----------------|------|---------------------------|----------------|-----|
| Supply current | I _{DD} | 1.0 | 2.2 | 3.4 | mA | PWDN=GND operation | — | |
| PWDN pin input high level voltage | V _{IH2} | V _{DD} +1.0 | — | V _{DD} | V | — | — | |
| PWDN pin input low level voltage | V _{IL2} | GND | — | GND+1.0 | V | — | — | |
| ACK pin input high level voltage | V _{IH6} | V _{DD} −0.8 | — | V _{DD} | V | — | — | |
| ACK pin input low level voltage | V _{IL6} | GND | — | GND+0.8 | V | — | — | |
| Input high level current | I _{IH} | — | 0.1 | 1.0 | μA | *1 | — | |
| Input low level current | I _{IL} | — | 0.1 | 1.0 | μA | *1 | — | |
| Pin 1 input impedance | Z _{IN} | 10 | 30 | 50 | kΩ | ν in=0dBm, fin=1kHz | — | |
| Output saturation high level voltage | V _{OH} | 4.6 | — | — | V | I _{OH} =0.4mA *2 | — | |
| Output saturation low level voltage | V _{OL} | — | — | 0.4 | V | I _{OL} =1mA *2 | — | |
| Valid input level | V _{IV} | −42 | — | 3 | dBm | *3, 4, 5 | — | |
| Dual tone level difference | Positive | VTWP | — | — | 6 | dB | *4 | −15 |
| | Negative | VTWN | — | — | 6 | dB | *4 | −15 |
| Frequency detection | BWA | ±1.5%±2Hz | — | — | — | *5 | −27 | |
| Frequency rejection | BWR | — | — | ±4 | % | *5 | −27 | |
| 3rd tone tolerance | TTT | — | — | −16 | dB | *5, 6 | −27 | |
| Noise tolerance | TN | — | −12 | — | dB | — | −27 | |
| Dial tone tolerance | TDT | — | 14 | 7 | dB | *7 | −27 | |
| Signal presence detection time | t _{DP} | 5 | 12 | 20 | ms | — | −27 | |
| Signal absence detection time | t _{DA} | 0.5 | 5 | 15 | ms | — | −27 | |
| Data shift rate | f _{DS} | — | — | 1 | MHz | ACK Duty 40%~60% | — | |
| Output delay time | t _{PAD} | — | 70 | 150 | ns | ACK→SD | — | |
| Setup time | t _{DL} | 0 | — | — | ns | — | — | |
| Hold time | t _{DH} | 30 | 60 | — | ns | — | — | |

*1 Applies to ACK pin and PWDN pin.

*2 Applies to EST pin and SD pin.

*3 A DTMF signal is input, and the voltage level of the single tone component is set as V_{IV}.

*4 Specified for a DTMF signal with a frequency deviation at the maximum standard frequency ±0.73%.

*5 No difference in level between the two tones.

*6 Composite signal consisting of DTMF signals and the third harmonics of each input.

*7 Specified for signals of 350 Hz and 440 Hz (±2%).

● Circuit operation

(1) An overview of operation

A DTMF signal is supplied to the INPUT pin and applied to a pair of 6th-order bandpass filters, which separate the DTMF signal into its high (COL) and low (ROW) frequencies. The separated tones are converted into square waves and fed to a DIGITAL DETECTOR. The DIGITAL DETECTOR checks the two tones to see if they are within the valid DTMF frequency bands. If they are, it sends a DETECT signal to the STEERING CIRCUIT, and sends the appropriate COLUMN and ROW address signals to a CODE CONVERTER.

The CODE CONVERTER encodes the received and detected DTMF signal, and outputs an ENABLE signal to the STEERING CIRCUIT.

Based on the DETECT and ENABLE signals, the STEERING CIRCUIT outputs an Early Steering (ESt) signal, which sets the ESt pin to HIGH, indicating that a valid DTMF signal has been detected.

If a series of pulses is input at the ACK pin while ESt is HIGH, a decoded DTMF signal is output to the SD pin as a binary code. (See Figure 4 for the overall timing.)

If a pulse sequence is input at the ACK pin, the data is latched at the rising edge of the first pulse by a PARALLEL→SERIAL CONVERTER, and at the same time, the LSB is output from the SD pin. Following this, three bits of data are output from the SD pin for each bit of each pulse in the pulse sequence input from the ACK pin. As a result, a total of four bits of data are output for the four pulses. (See Figure 5 for the ACK and SD timing.)

If the pulse sequence input to the ACK pin consists of three or fewer pulses, the next DTMF input cannot be decoded properly. Any ACK pulses in excess of four are ignored until ESt goes HIGH again. Table 1 shows the format of serial data output from the SD pin.

(2) Power down interface

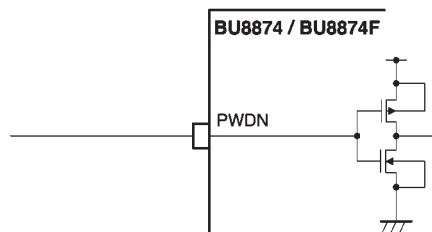


Fig. 1 PWDN input circuit

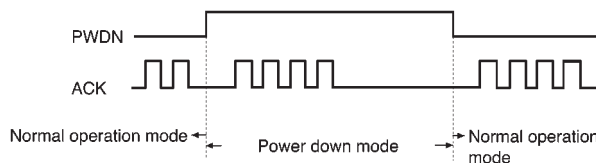


Fig. 2 Power down timing chart

The power down mode is activated by applying a rising edge at the PWDN pin when the ACK pin is LOW. The ACK pin may be taken from LOW to HIGH and back to LOW again while the circuit is in the power down mode. To return to the normal operation mode, set PWDN to LOW. After returning from the power down mode to the normal operation mode, if a valid DTMF signal is still being held (from prior to entering the power down mode), a second reading of the data can be performed (the first reading following recovery to the normal operation mode) by inputting the ACK pulse sequence. Figure 3 shows this status.

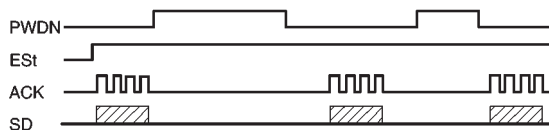


Fig. 3 SD multiple reading operation

If the circuit enters the power down mode n times, data can be read $(n + 1)$ times (while ESt is HIGH), as long as input of the DTMF signal continues.

(3) Overall timing chart

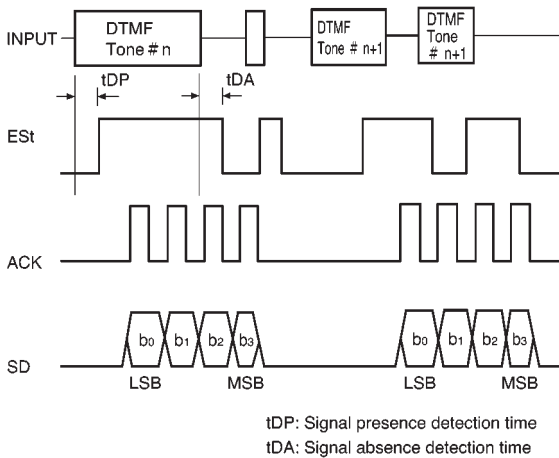


Fig. 4 Overall timing chart

(4) Serial data correspondence table

Table 1. Serial data correspondence table

| ROW [Hz] | COL [Hz] | No. | b ₃ (MSB) | b ₂ | b ₁ | b ₀ (LSB) |
|----------|----------|-----|----------------------|----------------|----------------|----------------------|
| 697 | 1209 | 1 | 0 | 0 | 0 | 1 |
| 697 | 1336 | 2 | 0 | 0 | 1 | 0 |
| 697 | 1477 | 3 | 0 | 0 | 1 | 1 |
| 770 | 1209 | 4 | 0 | 1 | 0 | 0 |
| 770 | 1336 | 5 | 0 | 1 | 0 | 1 |
| 770 | 1477 | 6 | 0 | 1 | 1 | 0 |
| 852 | 1209 | 7 | 0 | 1 | 1 | 1 |
| 852 | 1336 | 8 | 1 | 0 | 0 | 0 |
| 852 | 1477 | 9 | 1 | 0 | 0 | 1 |
| 941 | 1336 | 0 | 1 | 0 | 1 | 0 |
| 941 | 1209 | * | 1 | 0 | 1 | 1 |
| 941 | 1477 | # | 1 | 1 | 0 | 0 |
| 697 | 1633 | A | 1 | 1 | 0 | 1 |
| 770 | 1633 | B | 1 | 1 | 1 | 0 |
| 852 | 1633 | C | 1 | 1 | 1 | 1 |
| 941 | 1633 | D | 0 | 0 | 0 | 0 |

0 = "L" level , 1 = "H" level

(5) ACK and SD timing

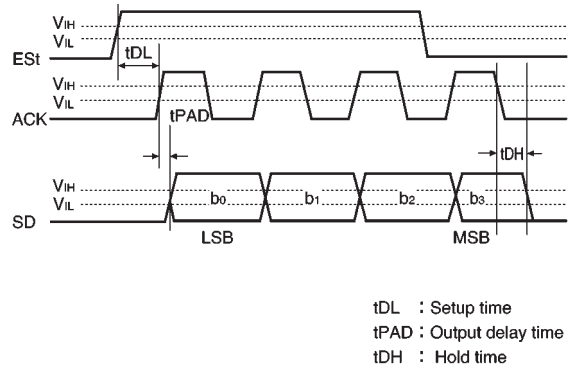


Fig. 5 ACK and SD timing

(6) Operation mode input logic

Table 2. Operation mode input logic

| ACK | PWDN | ACK PWDN Status |
|-----|--------------|-----------------------|
| X | L | Normal operation mode |
| L | \uparrow H | Power down mode |
| H | H | Not defined |

X=don't care

\uparrow = After an "L" level has been applied to the ACK pin, the power down mode is entered at the rising edge.

●Application example

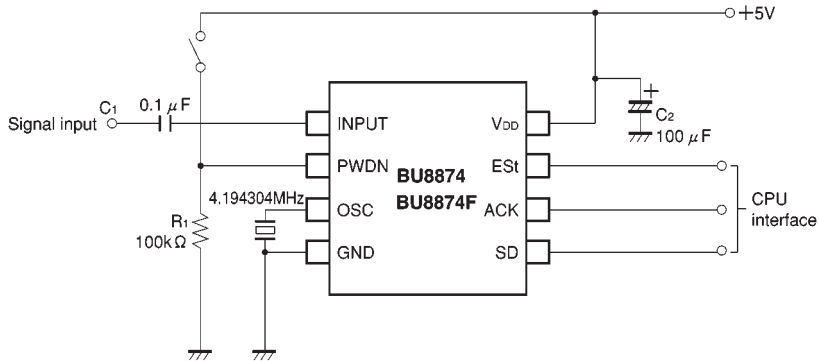


Fig.6

●Selecting attachment components

(1) Power supply components

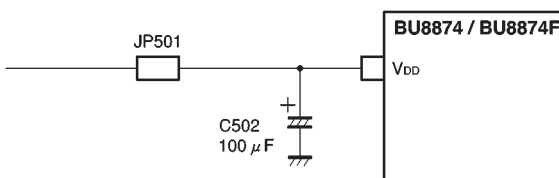


Fig.7 Power supply circuit

C502 : This is the V_{DD} bypass capacitor, and is normally 100μF.

JP501 : This is normally shorted. To test the current consumption of the IC (at the point where the power down mode is entered), insert a DC ammeter in place of JP501.

(2) Oscillation components

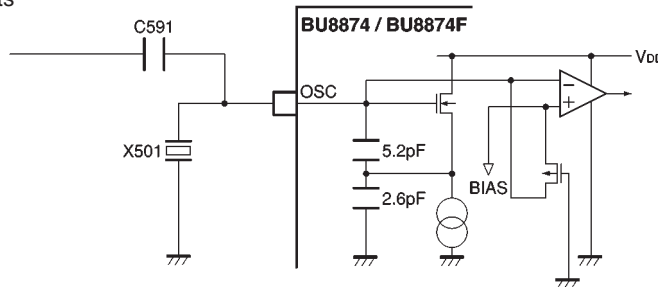


Fig.8 Oscillation circuit

X501 : Use a crystal or ceramic resonator with an oscillation frequency of 4.194304MHz. If using a ceramic resonator, there may be problems with the precision of the oscillation frequency, so we recommend using one of the ceramic resonators listed below.

C591 : If you are using a dedicated resonator X501 designed for DTMF receivers, capacitor C591 should be left open. If you are injecting an external clock, X501 should be omitted and DC blocking capacitor C591 used in its place. Typically, this capacitor should be 47μnF.

(3) DTMF input

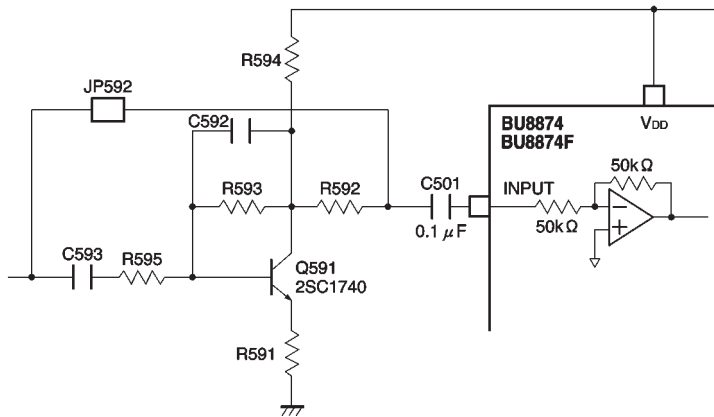


Fig.9 DTMF input circuit

C501 : This is the DC blocking capacitor. Select a capacitor that will pass DTMF signals (greater than 697Hz) without significantly attenuating the signals.

JP592 : If DTMF signals are being input directly, both ends should be shorted.

Q591
R591 ~ R595 } Use these to increase the sensitivity of the DTMF receiver.
C592, C593 }

(4) ESt output

The ESt guard time is determined by the CPU of the host computer, but to reduce the load on the host computer, the guard time can be set using an external circuit, as shown in Figure 10.

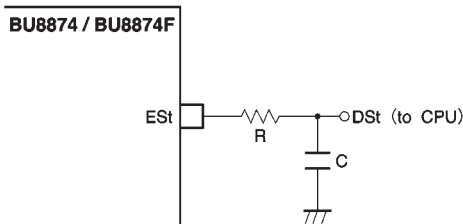


Fig. 10 Guard time setting circuit

The relation between a momentary falter in the ESt guard time (t_{GL}), a momentary HIGH level in the ESt guard time (t_{GH}), and the time constant is shown below. Figure 12 shows a timing diagram for guard times.

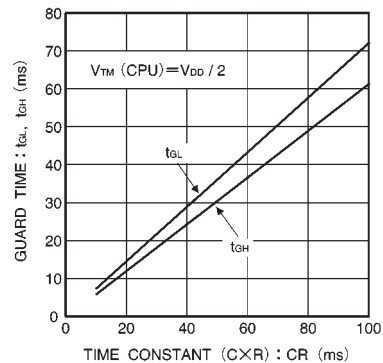


Fig. 11 Guard time vs. constant (C × R)

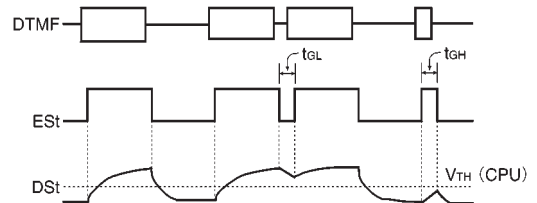


Fig. 12 Timing indicating guard times

● Operation notes

(1) Power down

When ACK is LOW, the power down mode can be entered by applying a rising edge to the PWDN pin. Current consumption drops from several seconds to several tens of seconds after the power down mode has been specified.

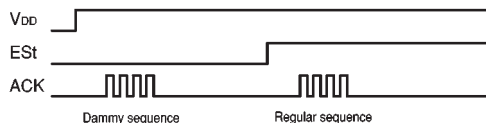
Operation with SD multiple reading is recommended.

(2) Oscillation

Oscillation frequency precision can be a problem with ceramic resonators. Before including a ceramic resonator in your design, please consult the resonator manufacturer to make sure this will not be a problem.

Also, if an external clock is being injected, a DC blocking capacitor must be inserted. Select a capacitor that will neither attenuate the frequency components or put an excessive load on the drive side.

This LSI is not equipped with the power-on reset function. Also, since the internal circuit (flip-flop circuit) becomes unstable at the rising edge of the power supply, the internal circuit is initialized as shown below by the first DTMF sequence received after the rising edge of the power supply. Therefore, input four dummy ACK pulses before the DTMF reception.



● Electrical characteristic curves

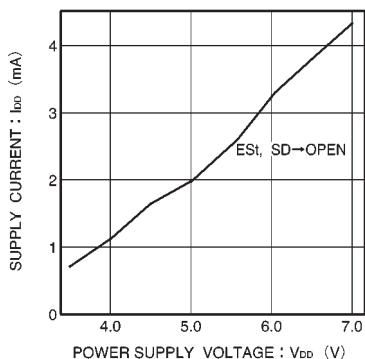


Fig. 13 Supply current vs. power supply voltage

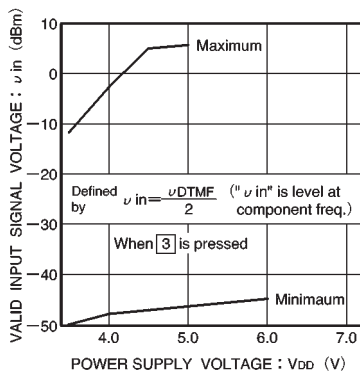


Fig. 14 Valid input level range vs. power supply voltage

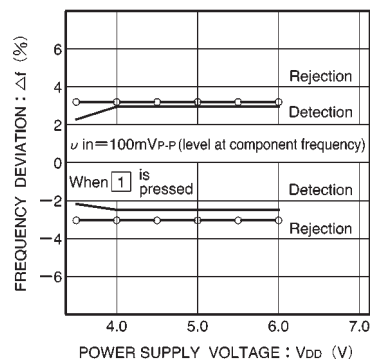


Fig. 15 Frequency detection/rejection ranges vs. power supply voltage

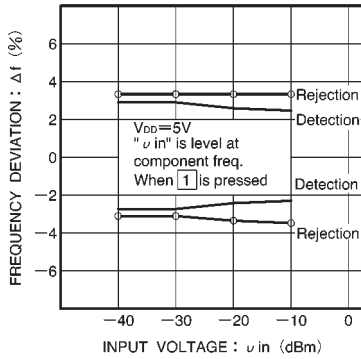


Fig. 16 Frequency detection/rejection ranges vs. input voltage

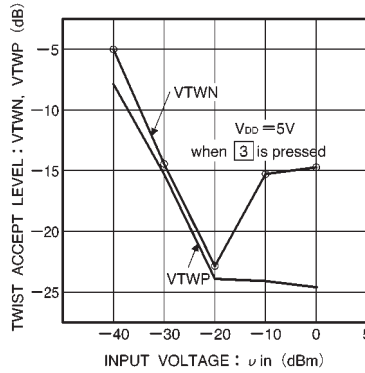


Fig. 17 2-frequency level vs. input voltage

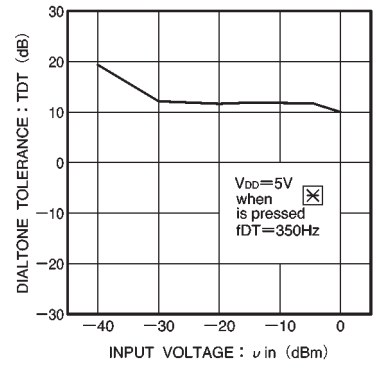


Fig. 18 Dial tone tolerance range vs. input voltage

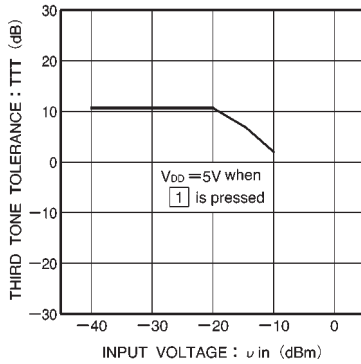


Fig. 19 3rd tone tolerance range vs. input voltage

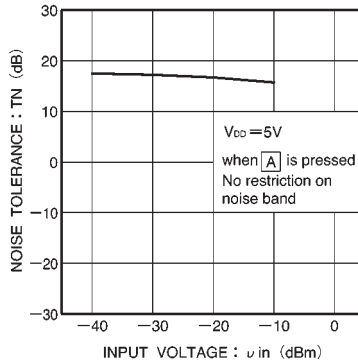


Fig. 20 Noise tolerance range vs. input voltage

● External dimensions (Units: mm)

