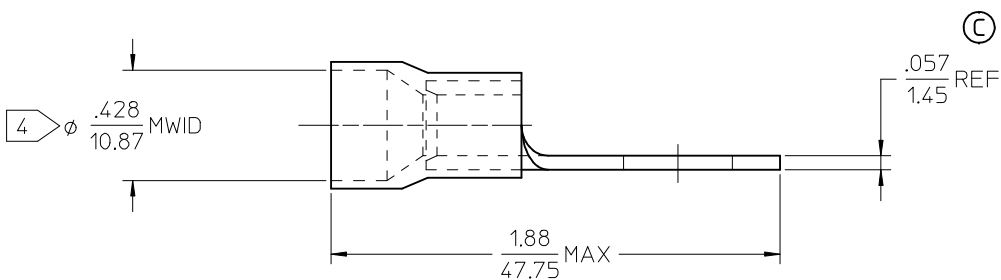
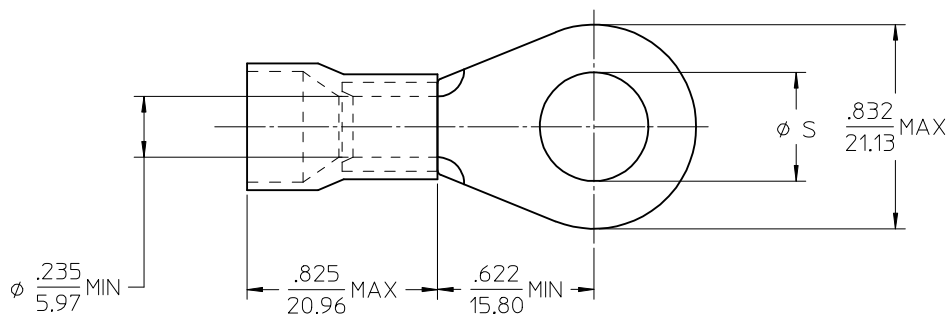


MATERIAL NO.	ENG. NO.	STUD SIZE	$\phi S \pm .005/0.13$
190670061	E-958-12	1/2	.515/13.08
190670062	E-958-14	1/4	.265/6.73
190670063	E-958-38	3/8	.390/9.91
190670064	E-958-58	5/8	.656/16.66
190670065	E-958-76	7/16	.453/11.51



NOTE(S):

1. TERMINAL MATERIAL: COPPER ALLOY.
2. TERMINAL FINISH: ELECTRO TIN PLATE.
3. INSULATION MATERIAL: NYLON, COLOR CODED BLUE.
4. MWID = MAXIMUM WIRE INSULATION DIAMETER.
5. ALL COMPONENTS ARE ROHS COMPLIANT.

INCREASED MATL THKNS	EC NO: 2006/12/08	DRW: EHILE	CHKD: JMACNEIL	APPR:	DESCRIPTION	QUALITY SYMBOLS	GENERAL TOLERANCES (UNLESS SPECIFIED)		DIMENSION STYLE		SCALE	DESIGN UNITS	THIRD ANGLE PROJECTION
						▽=0	mm	INCH	IN/MM	4:1	INCH	RING TONGUE TERMINAL, FUNNEL ENTRY, 6 AWG, NYLAKRIMP	
						▽=0	4 PLACES ±---	±---	DRAWN BY DATE	Molex MOLEX INCORPORATED			
							3 PLACES ±---	±---	EHILE 2006/10/16				
	2 PLACES ±---	±---	CHECKED BY DATE										
	1 PLACE ±---	±---	JMACNEIL 2006/10/16										
		ANGULAR ±---°	APPROVED BY DATE	JMACNEIL 2006/10/16	DOCUMENT NO.	SHEET NO.							
		DRAFT WHERE APPLICABLE MUST REMAIN WITHIN DIMENSIONS	MATERIAL NO.	SEE CHART	SD-19067-014	1 OF 1							
			SIZE B	THIS DRAWING CONTAINS INFORMATION THAT IS PROPRIETARY TO MOLEX INCORPORATED AND SHOULD NOT BE USED WITHOUT WRITTEN PERMISSION									