

LIGHTOWL® PIR AND ACOUSTIC WALL MOUNT SENSOR

CEILING AND WALL MOUNT OCCUPANCY SENSORS

FEATURES

- IntelliDAPT® self-adaptive technology—no manual adjustment required
- All-digital dual technology passive infrared (PIR) and acoustic sensor
- Non-volatile memory for sensor settings
- 1,600 square-foot coverage area
- Optional relay and photocell control
- Low voltage device: 24VDC
- 5 year warranty



RELATED PRODUCTS

- Ø [Occupancy Sensor Accessories](#)
- Ø [Universal Voltage Power Packs](#)
- Ø [Heavy Duty Universal Voltage Power Packs](#)
- Ø [MPSHD Pack](#)
- Ø [MP347A Power Pack](#)

SPECIFICATIONS

CONSTRUCTION

- Casing - Rugged, high-impact, injection-molded plastic KJB ABS Cyclic (UL-945VA) flam class rating, UV inhibitors
- Color-coded leads are 6" long (152.4mm)
- 5.0 oz. (142g)
- Off-white
- Red-Infrared motion
- Green-acoustic detection
- Dual-element pyrometer and 12-element cylindrical rugged lens

MOUNTING

- Mounting base provided
- Recommended MAX mounting height: 12ft. (3.66m)

ELECTRICAL

- 24VDC, 33 mA (uses UVPP and MP-Series power pack—not included)
- 24VDC active high-logic control signal with short circuit protection and optional dry contact output

OPERATIONS

- IntelliDAPT
 - Auto reset from test setting
 - Self-adjusting timer
 - Self-adjusting passive infrared and acoustic thresholds
 - Automatic false-ON/false-OFF corrections certifications
- Coverage
 - 1,600 square feet coverage PR Option
- Time Settings
 - Automatic mode: 8–30 minutes (self-adjusts based on occupancy)
 - Test mode: 8 seconds (for an easy check at installation)
- RP Option
 - Relay and photocell included
 - Relay: N/O + N/C contacts; SPDT; 500 mA rated @ 24 VDC; three-wire isolated relay
 - Photocell: adjustable natural-light override ranges from 0 to 100 foot-candles (0–1,000 lux)

OPERATING ENVIRONMENT

- Indoor use only
- Operating temperature: 32° to 104°F (0° to 40°C)
- Relative humidity (non-condensing): 0% to 95%

CERTIFICATIONS

- Listed UL and cUL

WARRANTY

- 5 year warranty
- See [HLI Standard Warranty](#) for additional information

ORDERING GUIDE

Example: LODIA

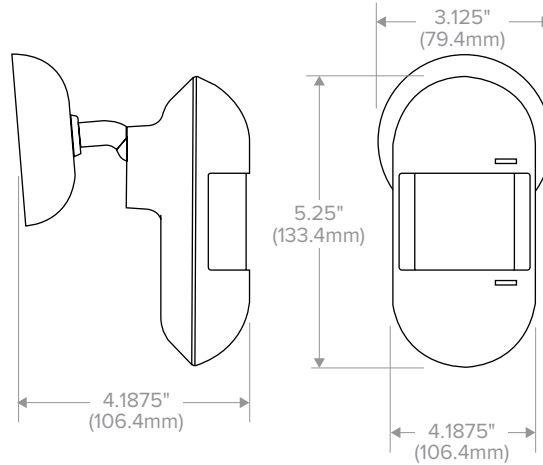
CATALOG #

LO	DIA	-	
Series	Technology		Relay/Photocell Option
LO	DIA	Passive Infrared and Acoustic	RP Relay Photocell Blank No Relay Photocell

LIGHTOWL® PIR AND ACOUSTIC WALL MOUNT SENSOR

CEILING AND WALL MOUNT OCCUPANCY SENSORS

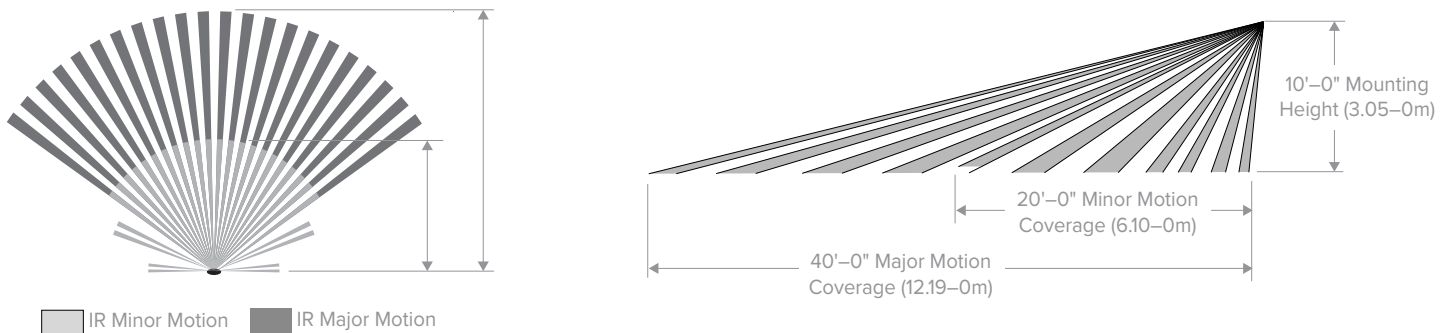
DIMENSIONS



ACOUSTIC LOCATED BEHIND COVER

ADDITIONAL INFORMATION

Coverage Patterns

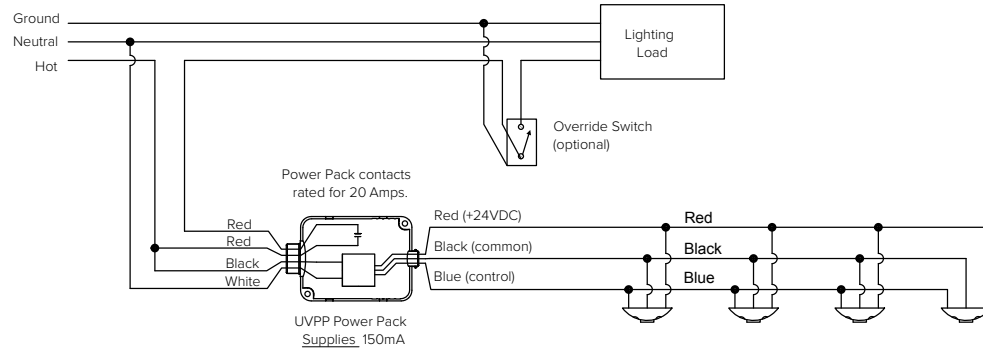


LIGHTOWL® PIR AND ACOUSTIC WALL MOUNT SENSOR

CEILING AND WALL MOUNT OCCUPANCY SENSORS

ADDITIONAL INFORMATION (CONTINUED)

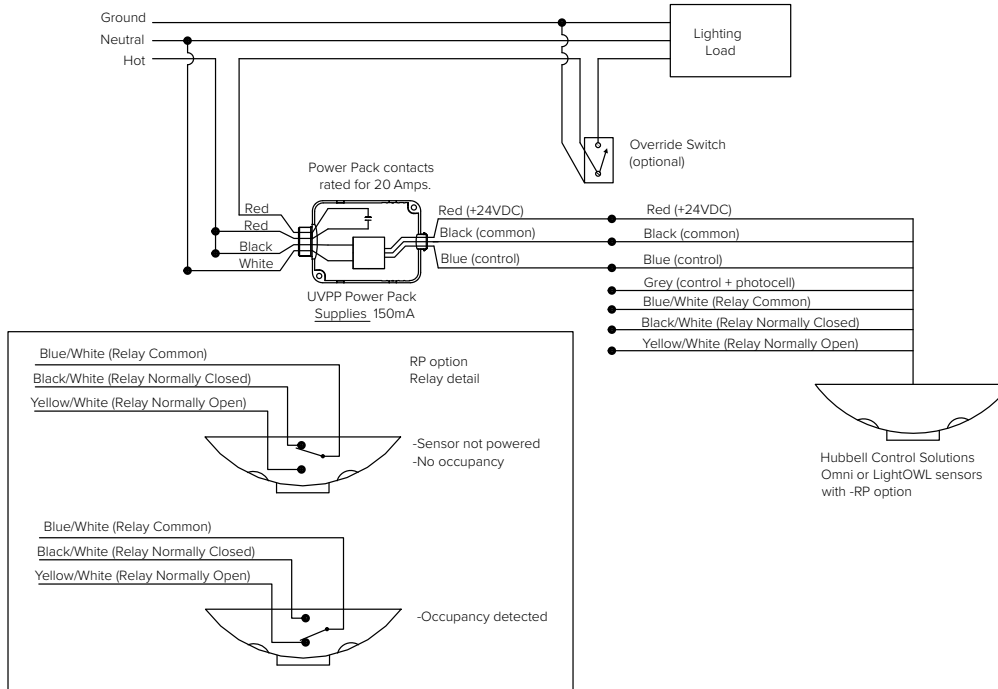
Wiring Diagrams



NOTE:

- DO NOT attempt to power more than 4 devices, be it sensors or slave packs, from a single power pack.

1 Circuit with up to 4 Sensors and UVPP



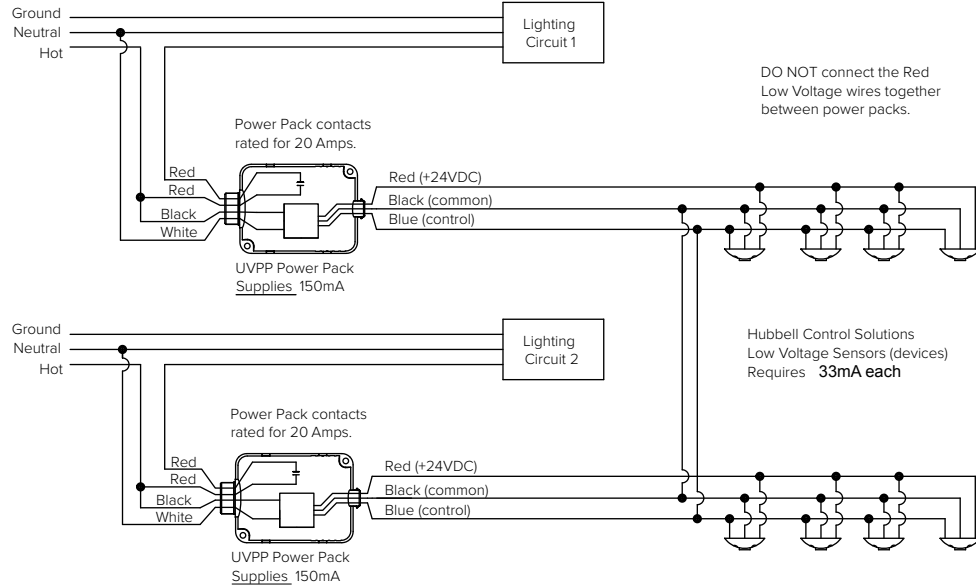
1 Circuit with up to 4 Sensors and UVPP

LIGHTOWL® PIR AND ACOUSTIC WALL MOUNT SENSOR

CEILING AND WALL MOUNT OCCUPANCY SENSORS

ADDITIONAL INFORMATION (CONTINUED)

Wiring Diagrams



NOTES:

1. Lighting load turns on when at least one sensor detects motion
2. DO NOT attempt to power more than 4 devices, be it sensors or slave packs, from a single power pack
3. No more than 4 power packs should be connected in this way

1 Circuit with RP Option Wiring