

# PA-SOD-2808-xx Data Sheet

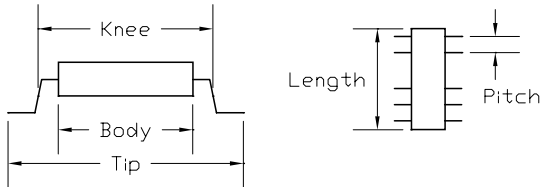
8-28 pin SO socket/28 pin SO receptacle  
(SO-Plugs NOT included)

## Supported Device/Footprints

Using this adapter, various pin count SO packages with a body width of 7.4mm - 7.9mm and lead pitch of 1.27mm can be socketed over their PCB footprints.

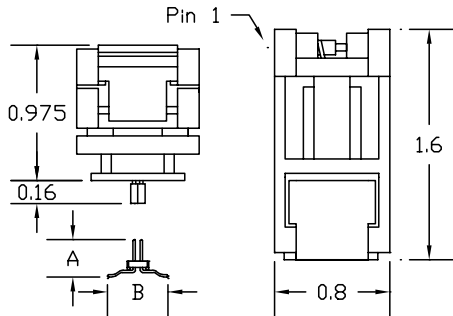
## Device Dimensions

This socket accepts devices with the following dimensions:



Body mm (inches)			Knee mm (inches)		
min.	typ.	max.	min.	typ.	max.
7.4	7.8	7.9	n/a	9.3	9.4
(0.291)	(0.307)	(0.311)		(0.366)	(0.370)
Tip mm (inches)			Body Length	Lead Pitch	
min.	typ.	max.	n/a	1.27	
10.0	11.6	n/a		(0.050)	
(0.394)	(0.457)				

## Adapter Dimensions



## SO Plugs

SO Plugs are required to connect this adapter to the prototype. They are available separately. The two most common plugs are shown in the following chart. Other SO-Plugs will also mate with this adapter, contact us if you want assistance matching plugs to this adapter.

Plug Kit	A	B
PA-SOF-D420-xx	0.260"	0.420"
PA-SOF-D470-xx	0.240"	0.470"

## Adapter Construction

The adapter is made up of 2 sub-assemblies. They assemble via connectors making the adapter modular. This way the sub-assemblies can be replaced when they wear out.

When disassembling the adapter take care not to bend the pins. When reassembling the adapter note the pin 1 indicators to align the parts correctly.

The following chart lists the adapters described by this datasheet and their subassemblies.

Adapter	Socket	Board
PA-SOD-2808-28	28SD-08	2808SOD
PA-SOD-2808-24	24(28H)SD-08	2808SOD
PA-SOD-2808-20	20(28H)SD-08	2808SOD
PA-SOD-2808-18	18(28H)SD-08	2808SOD
PA-SOD-2808-16	16(28H)SD-08	2808SOD
PA-SOD-2808-14	14(28H)SD-08	2808SOD
PA-SOD-2808-08	08(28H)SD-08	2808SOD

## Test Sockets

LSC #	Style	Mfgr/Pn
28SD-08	Lidded ZIF	Enplas FP-28-1.27.08
xx(28H)SD-08	Lidded ZIF	Enplas FP-xx(28H)-1.27.08

## Notes

- The xx(28)SD-08 sockets are depopulated 28SD-08 sockets. A "dam" is added to prevent incorrect alignment of the device.
- The 28 pin test socket can be used for the reduced pin counts. The test socket has divider fingers that keep the device leads on their contacts. With modest care a reduced pin count device can be correctly aligned in the test socket.
- For all versions of the adapter, the board provides 28 positions to receive the SO-Plug. When using plugs with less than 28 pins orient the plug and the device, **away** from the pin 1 end of the board.

## Wiring

Wiring is 1 to 1. Pin 1 of the SO device is wired to pin 1 of the plug. Pin 2 to pin 2 and so on around the adapter.



Logical Systems Corporation  
PO Box 6184, Syracuse, NY 13217-6184 USA  
Tel (315) 478-0722, FAX (315) 479-6753  
www.logicalsyst.com, Email: info@logicalsyst.com

PA-SOD-2808-xx Data Sheet  
Doc: SOD2808.DOC  
Rev 09/28/01  
Page 1 of 1