

ESP32-C3 Series

Datasheet

Ultra-Low-Power SoC with RISC-V Single-Core CPU

Supporting IEEE 802.11b/g/n (2.4 GHz Wi-Fi) and Bluetooth[®] 5 (LE)

Including:

ESP32-C3

ESP32-C3FN4

ESP32-C3FH4

ESP32-C3FH4AZ



Version 1.4
Espressif Systems
Copyright © 2023

Product Overview

ESP32-C3 series of SoCs is an ultra-low-power and highly-integrated MCU-based solution that supports 2.4 GHz Wi-Fi and Bluetooth® Low Energy (Bluetooth LE). The block diagram of ESP32-C3 is shown below.

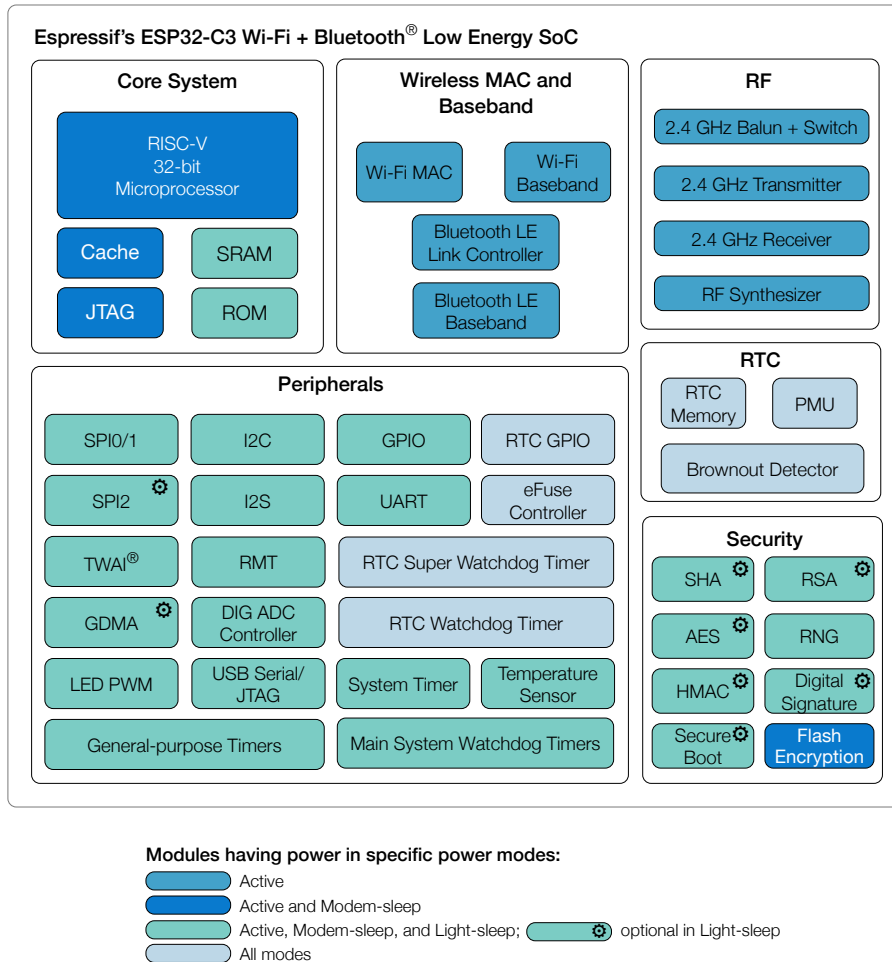


Figure 1: Block Diagram of ESP32-C3

Solution Highlights

- **A complete Wi-Fi subsystem** that complies with IEEE 802.11b/g/n protocol and supports Station mode, SoftAP mode, SoftAP + Station mode, and promiscuous mode
- **A Bluetooth LE subsystem** that supports features of Bluetooth 5 and Bluetooth mesh
- **32-bit RISC-V single-core processor** with a four-stage pipeline that operates at up to 160 MHz
- **State-of-the-art power and RF performance**
- **Storage capacities** ensured by 400 KB of SRAM (16 KB for cache) and 384 KB of ROM on the chip, and SPI, Dual SPI, Quad SPI, and QPI interfaces that allow connection to external flash
- **Reliable security features** ensured by
 - Cryptographic hardware accelerators that support AES-128/256, Hash, RSA, HMAC, digital signature and secure boot
 - Random number generator
 - Permission control on accessing internal

- memory, external memory, and peripherals
- External memory encryption and decryption

- **Rich set of peripheral interfaces and GPIOs**, ideal for various scenarios and complex applications

Features

Wi-Fi

- IEEE 802.11 b/g/n-compliant
 - Supports 20 MHz, 40 MHz bandwidth in 2.4 GHz band
 - 1T1R mode with data rate up to 150 Mbps
 - Wi-Fi Multimedia (WMM)
 - TX/RX A-MPDU, TX/RX A-MSDU
 - Immediate Block ACK
 - Fragmentation and defragmentation
 - Transmit opportunity (TXOP)
 - Automatic Beacon monitoring (hardware TSF)
 - 4 × virtual Wi-Fi interfaces
 - Simultaneous support for Infrastructure BSS in Station mode, SoftAP mode, Station + SoftAP mode, and promiscuous mode
- Note that when ESP32-C3 scans in Station mode, the SoftAP channel will change along with the Station channel*
- Antenna diversity
 - 802.11mc FTM

Bluetooth

- Bluetooth LE: Bluetooth 5, Bluetooth mesh
- High power mode (21 dBm)
- Speed: 125 Kbps, 500 Kbps, 1 Mbps, 2 Mbps
- Advertising extensions
- Multiple advertisement sets
- Channel selection algorithm #2
- Internal co-existence mechanism between Wi-Fi and Bluetooth to share the same antenna

CPU and Memory

- 32-bit RISC-V single-core processor, up to 160 MHz
- CoreMark[®] score:
 - 1 core at 160 MHz: 407.22 CoreMark; 2.55 CoreMark/MHz
- 384 KB ROM
- 400 KB SRAM (16 KB for cache)
- 8 KB SRAM in RTC
- Embedded flash (see details in Chapter 1 [ESP32-C3 Series Comparison](#))
- SPI, Dual SPI, Quad SPI, and QPI interfaces that allow connection to multiple external flash
- Access to flash accelerated by cache
- Supports flash in-Circuit Programming (ICP)

Advanced Peripheral Interfaces

- 22 or 16 programmable GPIOs
- Digital interfaces:
 - 3 × SPI
 - 2 × UART
 - 1 × I2C
 - 1 × I2S
 - Remote control peripheral, with 2 transmit channels and 2 receive channels
 - LED PWM controller, with up to 6 channels
 - Full-speed USB Serial/JTAG controller
 - General DMA controller (GDMA), with 3 transmit channels and 3 receive channels
 - 1 × TWAI[®] controller compatible with ISO 11898-1 (CAN Specification 2.0)
- Analog interfaces:

- 2 × 12-bit SAR ADCs, up to 6 channels
- 1 × temperature sensor
- Timers:
 - 2 × 54-bit general-purpose timers
 - 3 × digital watchdog timers
 - 1 × analog watchdog timer
 - 1 × 52-bit system timer

Low Power Management

- Power Management Unit with four power modes

Security

- Secure boot
- Flash encryption
- 4096-bit OTP, up to 1792 bits for use
- Cryptographic hardware acceleration:
 - AES-128/256 (FIPS PUB 197)
- Permission Control
- SHA Accelerator (FIPS PUB 180-4)
- RSA Accelerator
- Random Number Generator (RNG)
- HMAC
- Digital signature

Applications (A Non-exhaustive List)

With ultra-low power consumption, ESP32-C3 is an ideal choice for IoT devices in the following areas:

- [Smart Home](#)
 - Light control
 - Smart button
 - Smart plug
 - Indoor positioning
- [Industrial Automation](#)
 - Industrial robot
 - Mesh network
 - Human machine interface (HMI)
 - Industrial field bus
- [Health Care](#)
 - Health monitor
 - Baby monitor
- [Consumer Electronics](#)
 - Smart watch and bracelet
 - Over-the-top (OTT) devices
- Wi-Fi speaker
- Logger toys and proximity sensing toys
- Smart Agriculture
 - Smart greenhouse
 - Smart irrigation
 - Agriculture robot
- Retail and Catering
 - POS machines
 - Service robot
- Audio Device
 - Internet music players
 - Live streaming devices
 - Internet radio players
- Generic Low-power IoT Sensor Hubs
- Generic Low-power IoT Data Loggers

Contents

| | |
|--|----|
| Product Overview | 2 |
| Solution Highlights | 2 |
| Features | 3 |
| Applications | 4 |
| 1 ESP32-C3 Series Comparison | 9 |
| 1.1 ESP32-C3 Series Nomenclature | 9 |
| 1.2 Comparison | 9 |
| 2 Pin Definition | 10 |
| 2.1 Pin Layout | 10 |
| 2.2 Pin Description | 11 |
| 2.3 Power Scheme | 13 |
| 2.4 Strapping Pins | 14 |
| 3 Functional Description | 17 |
| 3.1 CPU and Memory | 17 |
| 3.1.1 CPU | 17 |
| 3.1.2 Internal Memory | 17 |
| 3.1.3 External Flash | 17 |
| 3.1.4 Address Mapping Structure | 18 |
| 3.1.5 Cache | 18 |
| 3.2 System Clocks | 19 |
| 3.2.1 CPU Clock | 19 |
| 3.2.2 RTC Clock | 19 |
| 3.3 Analog Peripherals | 19 |
| 3.3.1 Analog-to-Digital Converter (ADC) | 19 |
| 3.3.2 Temperature Sensor | 20 |
| 3.4 Digital Peripherals | 20 |
| 3.4.1 General Purpose Input / Output Interface (GPIO) | 20 |
| 3.4.2 Serial Peripheral Interface (SPI) | 22 |
| 3.4.3 Universal Asynchronous Receiver Transmitter (UART) | 23 |
| 3.4.4 I2C Interface | 23 |
| 3.4.5 I2S Interface | 24 |
| 3.4.6 Remote Control Peripheral | 24 |
| 3.4.7 LED PWM Controller | 24 |
| 3.4.8 General DMA Controller | 24 |
| 3.4.9 USB Serial/JTAG Controller | 25 |
| 3.4.10 TWAI [®] Controller | 25 |
| 3.5 Radio and Wi-Fi | 25 |
| 3.5.1 2.4 GHz Receiver | 26 |
| 3.5.2 2.4 GHz Transmitter | 26 |
| 3.5.3 Clock Generator | 26 |

| | | |
|----------|---|-----------|
| 3.5.4 | Wi-Fi Radio and Baseband | 26 |
| 3.5.5 | Wi-Fi MAC | 27 |
| 3.5.6 | Networking Features | 27 |
| 3.6 | Bluetooth LE | 27 |
| 3.6.1 | Bluetooth LE Radio and PHY | 27 |
| 3.6.2 | Bluetooth LE Link Layer Controller | 27 |
| 3.7 | Low Power Management | 28 |
| 3.8 | Timers | 28 |
| 3.8.1 | General Purpose Timers | 28 |
| 3.8.2 | System Timer | 29 |
| 3.8.3 | Watchdog Timers | 29 |
| 3.9 | Cryptographic Hardware Accelerators | 30 |
| 3.10 | Physical Security Features | 30 |
| 3.11 | Peripheral Pin Configurations | 30 |
| 4 | Electrical Characteristics | 33 |
| 4.1 | Absolute Maximum Ratings | 33 |
| 4.2 | Recommended Operating Conditions | 33 |
| 4.3 | VDD_SPI Output Characteristics | 33 |
| 4.4 | DC Characteristics (3.3 V, 25 °C) | 34 |
| 4.5 | ADC Characteristics | 34 |
| 4.6 | Current Consumption | 35 |
| 4.6.1 | RF Current Consumption in Active Mode | 35 |
| 4.6.2 | Current Consumption in Other Modes | 35 |
| 4.7 | Reliability | 36 |
| 4.8 | Wi-Fi Radio | 36 |
| 4.8.1 | Wi-Fi RF Transmitter (TX) Specifications | 37 |
| 4.8.2 | Wi-Fi RF Receiver (RX) Specifications | 37 |
| 4.9 | Bluetooth LE Radio | 39 |
| 4.9.1 | Bluetooth LE RF Transmitter (TX) Specifications | 39 |
| 4.9.2 | Bluetooth LE RF Receiver (RX) Specifications | 40 |
| 5 | Package Information | 43 |
| 6 | Related Documentation and Resources | 44 |
| | Revision History | 45 |

List of Tables

| | | |
|----|---|----|
| 1 | ESP32-C3 Series Comparison | 9 |
| 2 | Pin Description | 11 |
| 3 | Description of ESP32-C3 Power-up and Reset Timing Parameters | 14 |
| 4 | Strapping Pins | 15 |
| 5 | Parameter Descriptions of Setup and Hold Times for the Strapping Pins | 16 |
| 6 | IO MUX Pin Functions | 20 |
| 7 | Power-Up Glitches on Pins | 22 |
| 8 | Mapping of SPI Signals and Chip Pins | 23 |
| 9 | Connection Between ESP32-C3 and External Flash | 23 |
| 10 | Peripheral Pin Configurations | 30 |
| 11 | Absolute Maximum Ratings | 33 |
| 12 | Recommended Operating Conditions | 33 |
| 13 | VDD_SPI Output Characteristics | 33 |
| 14 | DC Characteristics (3.3 V, 25 °C) | 34 |
| 15 | ADC Characteristics | 34 |
| 16 | ADC Calibration Results | 35 |
| 17 | Current Consumption Depending on RF Modes | 35 |
| 18 | Current Consumption in Modem-sleep Mode | 35 |
| 19 | Current Consumption in Low-Power Modes | 36 |
| 20 | Reliability Qualifications | 36 |
| 21 | Wi-Fi Frequency | 36 |
| 22 | TX Power with Spectral Mask and EVM Meeting 802.11 Standards | 37 |
| 23 | TX EVM Test | 37 |
| 24 | RX Sensitivity | 37 |
| 25 | Maximum RX Level | 38 |
| 26 | RX Adjacent Channel Rejection | 38 |
| 27 | Bluetooth LE Frequency | 39 |
| 28 | Transmitter Characteristics - Bluetooth LE 1 Mbps | 39 |
| 29 | Transmitter Characteristics - Bluetooth LE 2 Mbps | 39 |
| 30 | Transmitter Characteristics - Bluetooth LE 125 Kbps | 40 |
| 31 | Transmitter Characteristics - Bluetooth LE 500 Kbps | 40 |
| 32 | Receiver Characteristics - Bluetooth LE 1 Mbps | 41 |
| 33 | Receiver Characteristics - Bluetooth LE 2 Mbps | 41 |
| 34 | Receiver Characteristics - Bluetooth LE 125 Kbps | 42 |
| 35 | Receiver Characteristics - Bluetooth LE 500 Kbps | 42 |

List of Figures

| | | |
|---|---|----|
| 1 | Block Diagram of ESP32-C3 | 2 |
| 2 | ESP32-C3 Series Nomenclature | 9 |
| 3 | ESP32-C3 Pin Layout (Top View, Excluding ESP32-C3FH4AZ) | 10 |
| 4 | ESP32-C3FH4AZ Pin Layout (Top View) | 11 |
| 5 | ESP32-C3 Power Scheme | 13 |
| 6 | ESP32-C3 Power-up and Reset Timing | 14 |
| 7 | Setup and Hold Times for the Strapping Pins | 15 |
| 8 | Address Mapping Structure | 18 |
| 9 | QFN32 (5×5 mm) Package | 43 |

1. ESP32-C3 Series Comparison

1.1 ESP32-C3 Series Nomenclature

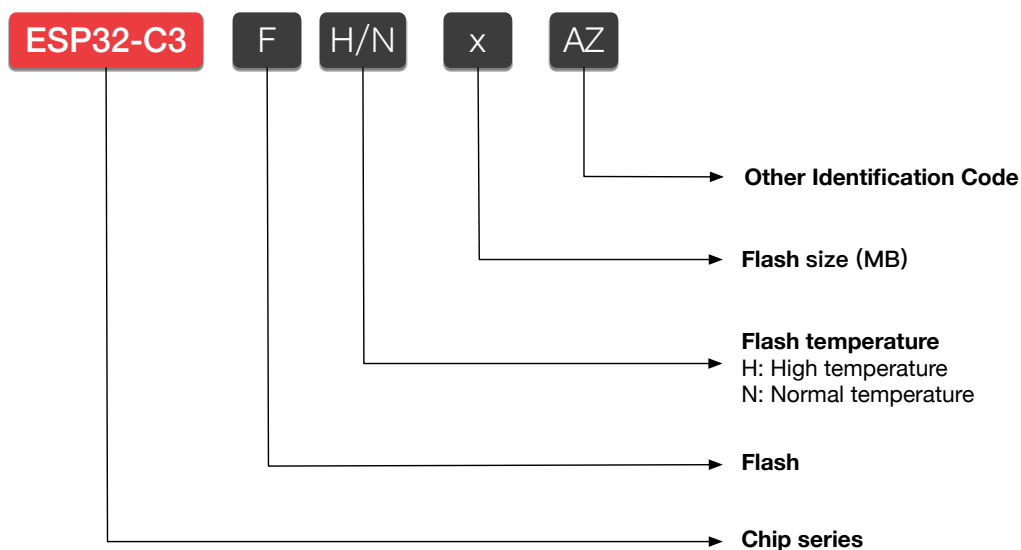


Figure 2: ESP32-C3 Series Nomenclature

1.2 Comparison

Table 1: ESP32-C3 Series Comparison

| Ordering Code | Embedded Flash | Ambient Temperature (°C) | Package (mm) | GPIO No. |
|----------------------------|----------------|--------------------------|--------------|----------|
| ESP32-C3 ¹ | — | -40 ~ 105 | QFN32 (5*5) | 22 |
| ESP32-C3FN4 | 4 MB | -40 ~ 85 | QFN32 (5*5) | 22 |
| ESP32-C3FH4 | 4 MB | -40 ~ 105 | QFN32 (5*5) | 22 |
| ESP32-C3FH4AZ ² | 4 MB | -40 ~ 105 | QFN32 (5*5) | 16 |

¹ ESP32-C3 requires an external SPI flash.

² For ESP32-C3FH4AZ, SPI0/SPI1 pins for flash connection are not bonded. For details, see Note 7 under Table 2 [Pin Description](#).

2. Pin Definition

2.1 Pin Layout

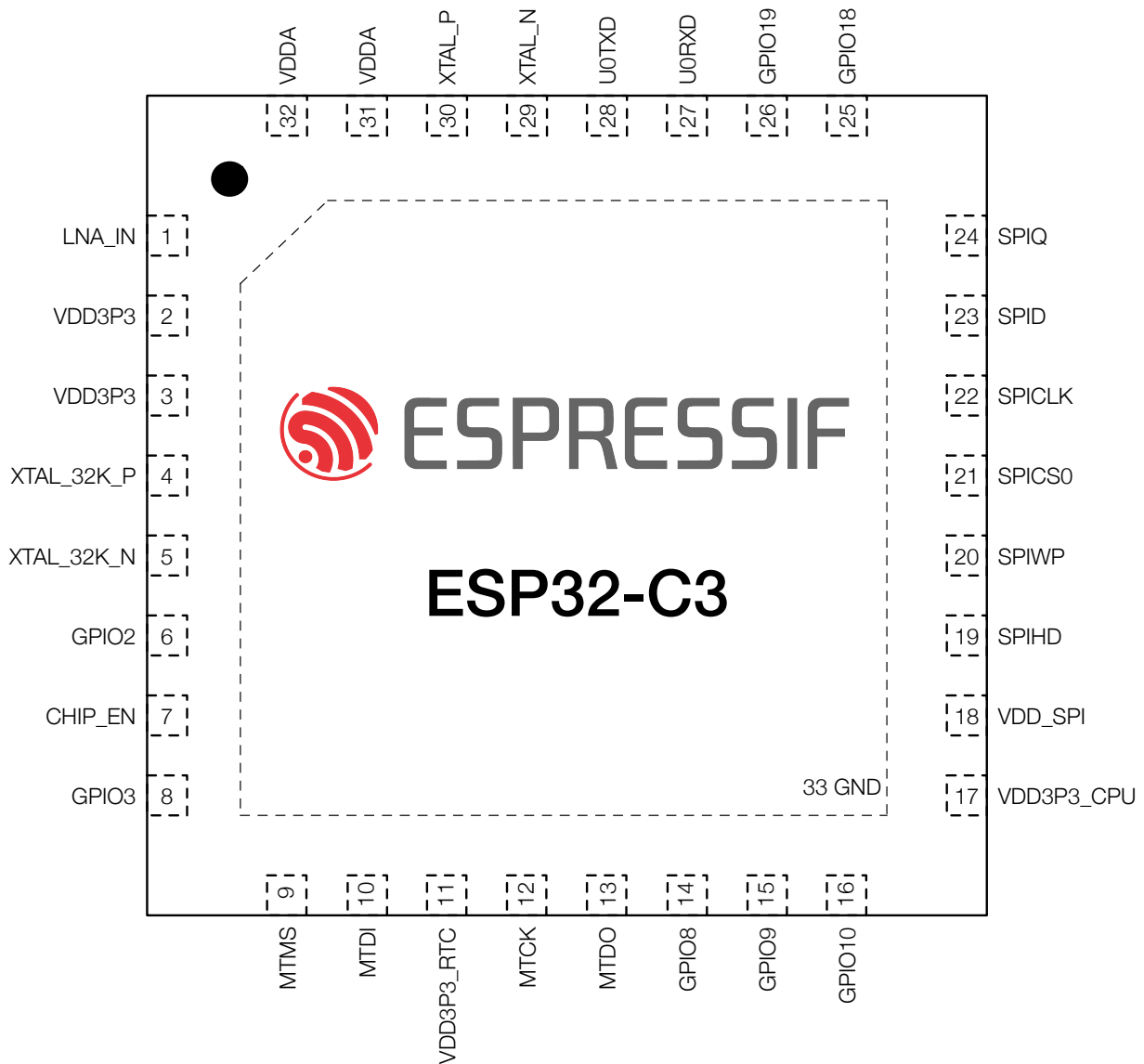


Figure 3: ESP32-C3 Pin Layout (Top View, Excluding ESP32-C3FH4AZ)

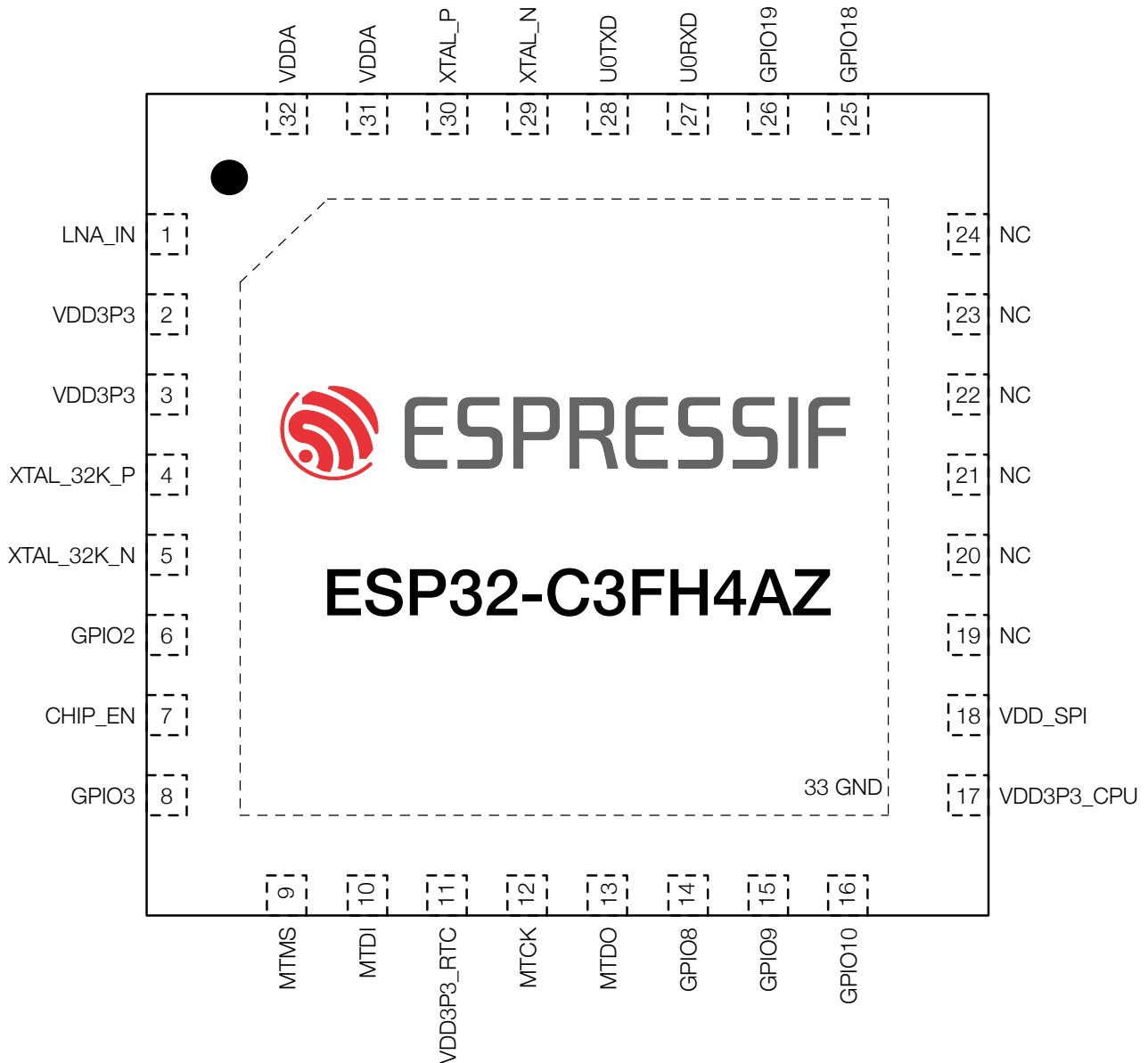


Figure 4: ESP32-C3FH4AZ Pin Layout (Top View)

2.2 Pin Description

Table 2: Pin Description

| Name | No. | Type | Power Domain | Function |
|------------|-----|----------------|--------------|---|
| LNA_IN | 1 | I/O | — | RF input and output |
| VDD3P3 | 2 | P _A | — | Analog power supply |
| VDD3P3 | 3 | P _A | — | Analog power supply |
| XTAL_32K_P | 4 | I/O/T | VDD3P3_RTC | GPIO0 , ADC1_CH0, XTAL_32K_P |
| XTAL_32K_N | 5 | I/O/T | VDD3P3_RTC | GPIO1 , ADC1_CH1, XTAL_32K_N |
| GPIO2 | 6 | I/O/T | VDD3P3_RTC | GPIO2 , ADC1_CH2, FSPIQ |
| CHIP_EN | 7 | I | VDD3P3_RTC | High: on, enables the chip. Low: off, the chip powers off. Note: Do not leave the CHIP_EN pin floating. |

| Name | No. | Type | Power Domain | Function |
|----------------------|-----|----------------------|--------------|--|
| GPIO3 | 8 | I/O/T | VDD3P3_RTC | GPIO3 , ADC1_CH3 |
| MTMS | 9 | I/O/T | VDD3P3_RTC | GPIO4, ADC1_CH4, FSPiHD, MTMS |
| MTDI | 10 | I/O/T | VDD3P3_RTC | GPIO5, ADC2_CH0, FSPiWP, MTDI |
| VDD3P3_RTC | 11 | P _D | — | Input power supply for RTC |
| MTCK | 12 | I/O/T | VDD3P3_CPU | GPIO6, FSPiCLK, MTCK |
| MTDO | 13 | I/O/T | VDD3P3_CPU | GPIO7, FSPiD, MTDO |
| GPIO8 | 14 | I/O/T | VDD3P3_CPU | GPIO8 |
| GPIO9 | 15 | I/O/T | VDD3P3_CPU | GPIO9 |
| GPIO10 | 16 | I/O/T | VDD3P3_CPU | GPIO10 , FSPiCS0 |
| VDD3P3_CPU | 17 | P _D | — | Input power supply for CPU IO |
| VDD_SPI ₇ | 18 | I/O/T/P _D | VDD3P3_CPU | GPIO11, output power supply for flash⁶ |
| SPIHD | 19 | I/O/T | VDD3P3_CPU | GPIO12 , SPIHD |
| SPIWP | 20 | I/O/T | VDD3P3_CPU | GPIO13 , SPIWP |
| SPICS0 | 21 | I/O/T | VDD3P3_CPU | GPIO14, SPICS0 |
| SPiCLK | 22 | I/O/T | VDD3P3_CPU | GPIO15, SPiCLK |
| SPiD | 23 | I/O/T | VDD3P3_CPU | GPIO16, SPiD |
| SPIQ | 24 | I/O/T | VDD3P3_CPU | GPIO17, SPIQ |
| GPIO18 | 25 | I/O/T | VDD3P3_CPU | GPIO18, USB_D- |
| GPIO19 | 26 | I/O/T | VDD3P3_CPU | GPIO19, USB_D+ |
| U0RXD | 27 | I/O/T | VDD3P3_CPU | GPIO20, U0RXD |
| U0TXD | 28 | I/O/T | VDD3P3_CPU | GPIO21, U0TXD |
| XTAL_N | 29 | — | — | External crystal output |
| XTAL_P | 30 | — | — | External crystal input |
| VDDA | 31 | P _A | — | Analog power supply |
| VDDA | 32 | P _A | — | Analog power supply |
| GND | 33 | G | — | Ground |

¹ P_A: analog power supply; P_D: power supply for RTC IO; I: input; O: output; T: high impedance.

² Pin functions in bold font are the default pin functions in SPI boot mode.

³ Ports of embedded flash correspond to pins of ESP32-C3FN4 and ESP32-C3FH4 as follows:

- CS# = SPICS0
- IO0/DI = SPiD
- IO1/DO = SPIQ
- CLK = SPiCLK
- IO2/WP# = SPIWP
- IO3/HOLD# = SPIHD

These pins are not recommended for other uses.

⁴ For the data port connection between ESP32-C3 and external flash please refer to Section 3.4.2 *Serial Peripheral Interface (SPI)*.

⁵ The pin function in this table refers only to some fixed settings and do not cover all cases for signals that can be input and output through the GPIO matrix. For more information on the GPIO matrix, please refer to Chapter IO MUX and GPIO Matrix (GPIO, IO_MUX) in *ESP32-C3 Technical Reference Manual*.

⁶ By default VDD_SPI is the power supply pin for embedded flash or external flash. It can only be used as GPIO11 only when the chip is connected to an external flash, and this flash is powered by an external power supply.

⁷ For ESP32-C3FH4AZ, pins within the frame (namely pin 19 ~ pin 24) are not bonded, and are labelled as "not connected".

2.3 Power Scheme

ESP32-C3 has four input power pins:

- VDDA1
- VDDA2
- VDD3P3_RTC
- VDD3P3_CPU

And one input/output power pin:

- VDD_SPI

VDDA1 and VDDA2 are the input power supply for the analog domain.

When working as an output power supply, VDD_SPI can be powered by VDD3P3_CPU via R_{SPI} (nominal 3.3 V).

VDD_SPI can be powered off via software to minimize the current leakage of flash in Deep-sleep mode.

RTC IO is powered from VDD3P3_RTC.

The RTC domain is powered from Low Power Voltage Regulator, which is powered from VDD3P3_RTC.

The Digital System domain is powered from Digital System Voltage Regulator, which is powered from VDD3P3_CPU and VDD3P3_RTC at the same time.

Digital IO is powered from VDD3P3_CPU.

The power scheme diagram is shown in Figure 5.

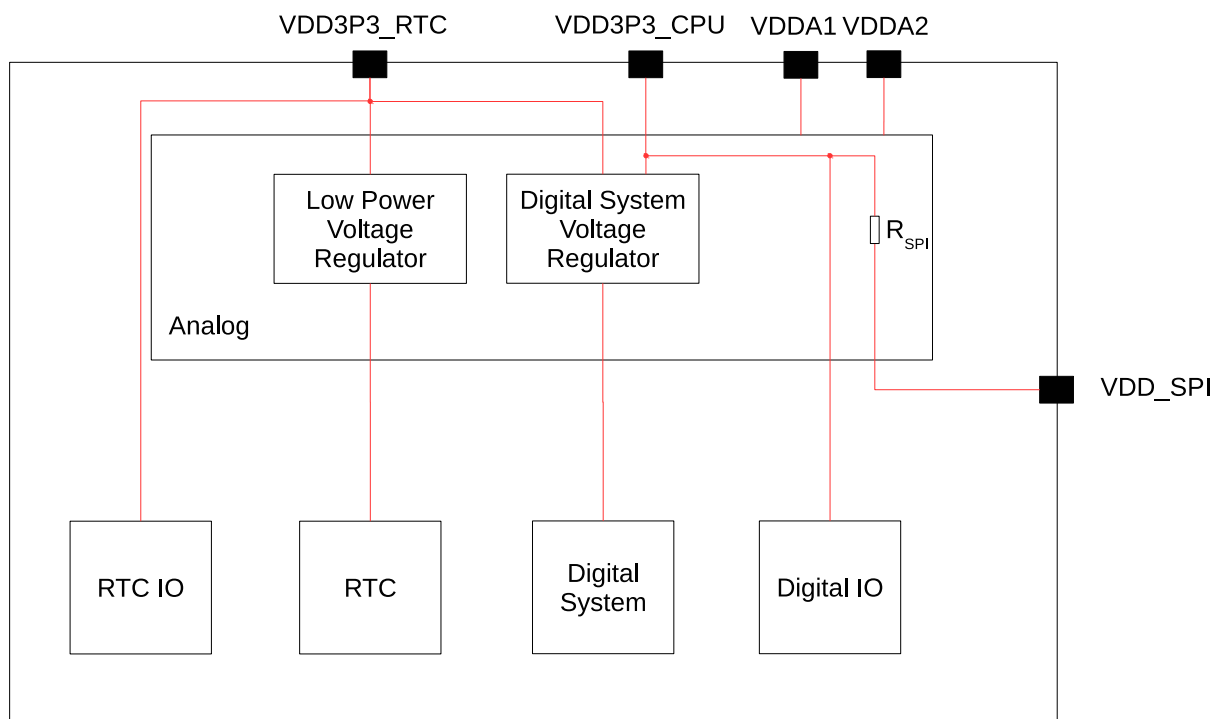


Figure 5: ESP32-C3 Power Scheme

Notes on CHIP_EN:

Figure 6 shows the power-up and reset timing of ESP32-C3. Details about the parameters are listed in Table 3.

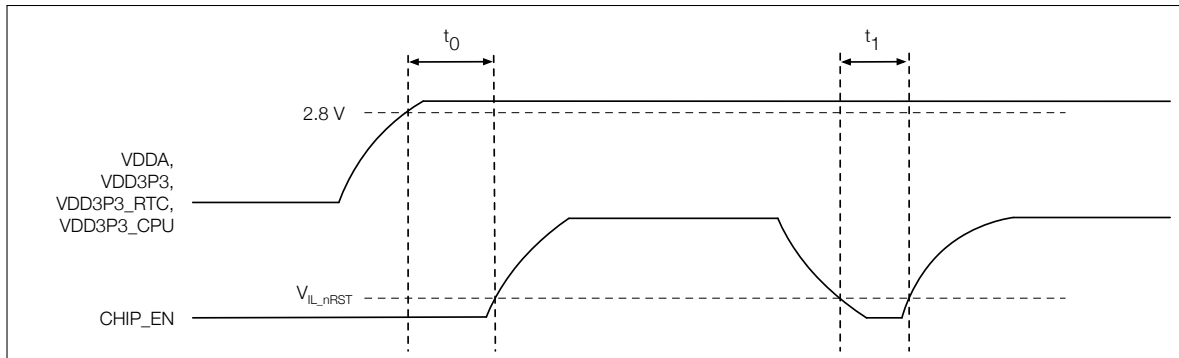


Figure 6: ESP32-C3 Power-up and Reset Timing

Table 3: Description of ESP32-C3 Power-up and Reset Timing Parameters

| Parameter | Description | Min (μs) |
|----------------|--|----------|
| t ₀ | Time between bringing up the VDDA, VDD3P3, VDD3P3_RTC, and VDD3P3_CPU rails, and activating CHIP_EN | 50 |
| t ₁ | Duration of CHIP_EN signal level < V _{IL_nRST} (refer to its value in Table 14) to reset the chip | 50 |

2.4 Strapping Pins

ESP32-C3 has three strapping pins:

- GPIO2
- GPIO8
- GPIO9

Software can read the values of GPIO2, GPIO8 and GPIO9 from GPIO_STRAPPING field in GPIO_STRAP_REG register. For register description, please refer to Section GPIO Matrix Register Summary in

[ESP32-C3 Technical Reference Manual](#).

During the chip's system reset, the latches of the strapping pins sample the voltage level as strapping bits of "0" or "1", and hold these bits until the chip is powered down or shut down.

Types of system reset include:

- power-on reset
- RTC watchdog reset
- brownout reset
- analog super watchdog reset
- crystal clock glitch detection reset

By default, GPIO9 is connected to the internal weak pull-up resistor. If GPIO9 is not connected or connected to an external high-impedance circuit, the latched bit value will be "1"

To change the strapping bit values, you can apply the external pull-down/pull-up resistances, or use the host MCU's GPIOs to control the voltage level of these pins when powering on ESP32-C3.

After reset, the strapping pins work as normal-function pins.

Table 4 lists detailed booting configurations of the strapping pins.

Table 4: Strapping Pins

| Booting Mode ¹ | | | |
|--|-----------------------|---|---------------|
| Pin | Default | SPI Boot | Download Boot |
| GPIO2 | N/A | 1 | 1 |
| GPIO8 | N/A | Don't care | 1 |
| GPIO9 | Internal weak pull-up | 1 | 0 |
| Enabling/Disabling ROM Messages Print in SPI Boot Mode | | | |
| Pin | Default | Functionality | |
| GPIO8 | N/A | When the value of eFuse field EFUSE_UART_PRINT_CONTROL is 0 (default), print is enabled and not controlled by GPIO8. 1, if GPIO8 is 0, print is enabled; if GPIO8 is 1, it is disabled. 2, if GPIO8 is 0, print is disabled; if GPIO8 is 1, it is enabled. 3, print is disabled and not controlled by GPIO8. | |

¹ The strapping combination of GPIO8 = 0 and GPIO9 = 0 is invalid and will trigger unexpected behavior.

Figure 7 shows the setup and hold times for the strapping pins before and after the CHIP_EN signal goes high. Details about the parameters are listed in Table 5.

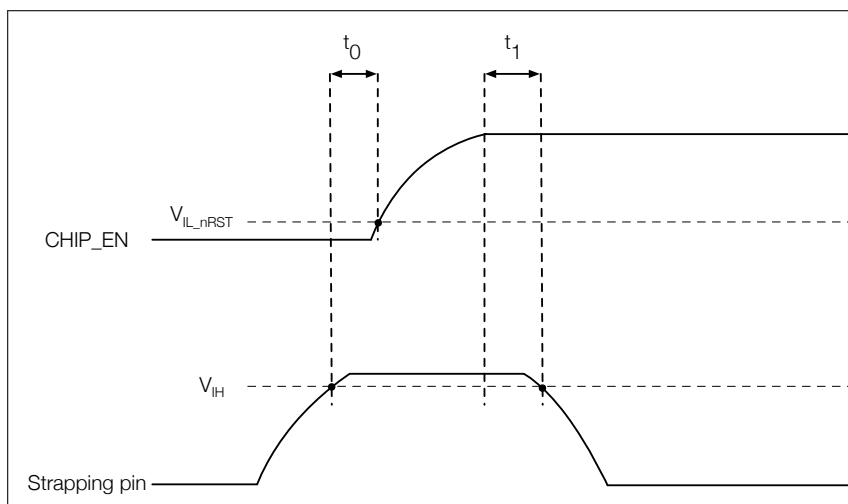


Figure 7: Setup and Hold Times for the Strapping Pins

Table 5: Parameter Descriptions of Setup and Hold Times for the Strapping Pins

| Parameter | Description | Min (ms) |
|------------------|---|-----------------|
| t_0 | Setup time before CHIP_EN goes from low to high | 0 |
| t_1 | Hold time after CHIP_EN goes high | 3 |

3. Functional Description

This chapter describes the functions of ESP32-C3.

3.1 CPU and Memory

3.1.1 CPU

ESP32-C3 has a low-power 32-bit RISC-V single-core microprocessor with the following features:

- four-stage pipeline that supports a clock frequency of up to 160 MHz
- RV32IMC ISA
- 32-bit multiplier and 32-bit divider
- up to 32 vectored interrupts at seven priority levels
- up to 8 hardware breakpoints/watchpoints
- up to 16 PMP regions
- JTAG for debugging

For more information, please refer to Chapter [ESP-RISC-V CPU](#) in *ESP32-C3 Technical Reference Manual*.

3.1.2 Internal Memory

ESP32-C3's internal memory includes:

- **384 KB of ROM:** for booting and core functions.
- **400 KB of on-chip SRAM:** for data and instructions, running at a configurable frequency of up to 160 MHz. Of the 400 KB SRAM, 16 KB is configured for cache.
- **RTC FAST memory:** 8 KB of SRAM that can be accessed by the main CPU. It can retain data in Deep-sleep mode.
- **4 Kbit of eFuse:** 1792 bits are reserved for your data, such as encryption key and device ID.
- **Embedded flash :** See details in Chapter [1 ESP32-C3 Series Comparison](#).

For more information, please refer to Chapter [System and Memory](#) in *ESP32-C3 Technical Reference Manual*.

3.1.3 External Flash

ESP32-C3 supports SPI, Dual SPI, Quad SPI, and QPI interfaces that allow connection to multiple external flash.

CPU's instruction memory space and read-only data memory space can map into external flash of ESP32-C3, whose size can be 16 MB at most. ESP32-C3 supports hardware encryption/decryption based on XTS-AES to protect developers' programs and data in flash.

Through high-speed caches, ESP32-C3 can support at a time up to:

- 8 MB of instruction memory space which can map into flash as individual blocks of 64 KB. 8-bit, 16-bit and 32-bit reads are supported.
- 8 MB of data memory space which can map into flash as individual blocks of 64 KB. 8-bit, 16-bit and 32-bit reads are supported.

Note:

After ESP32-C3 is initialized, software can customize the mapping of external flash into the CPU address space.

For more information, please refer to Chapter [System and Memory](#) in *ESP32-C3 Technical Reference Manual*.

3.1.4 Address Mapping Structure

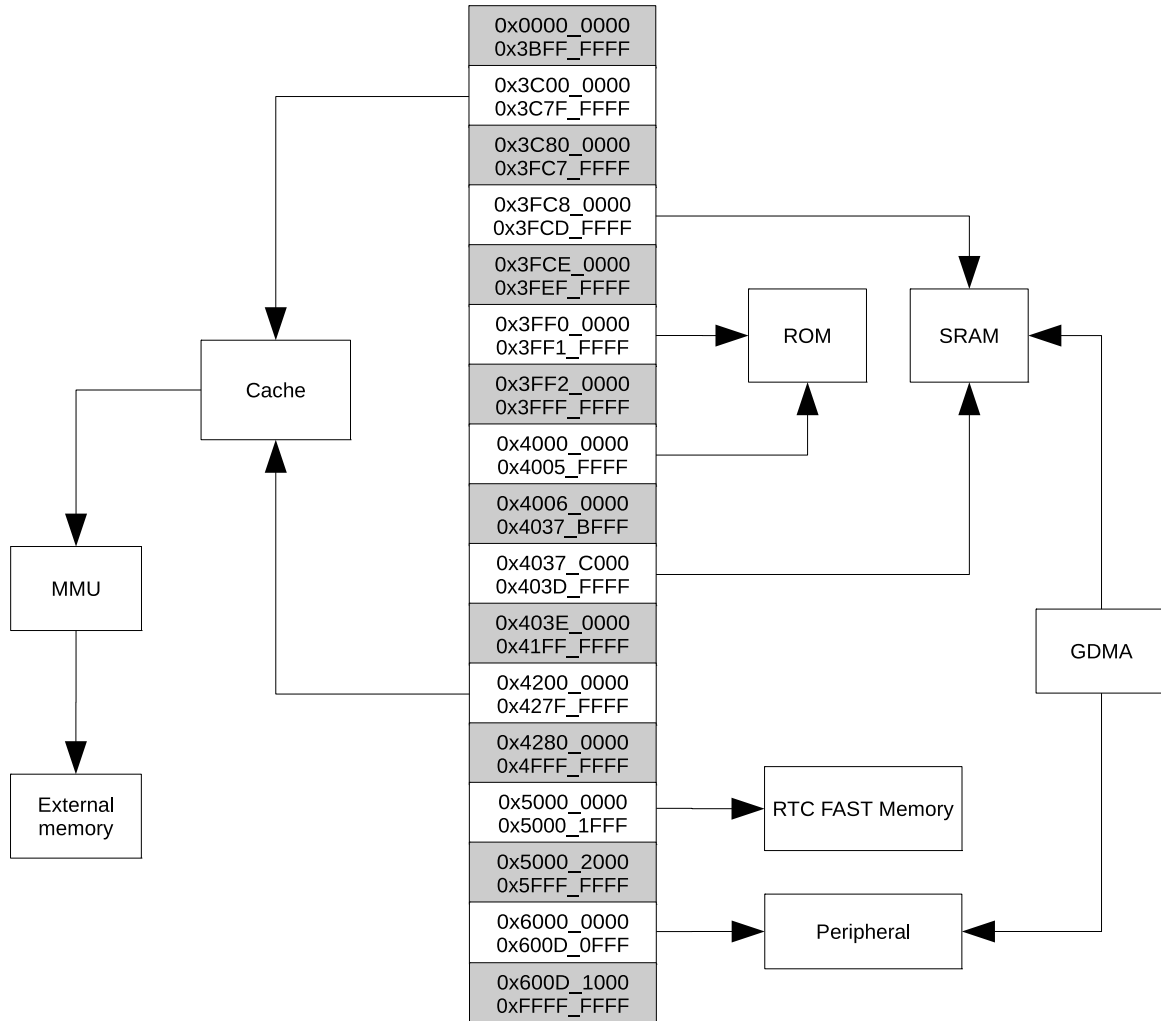


Figure 8: Address Mapping Structure

Note:

The memory space with gray background is not available for use.

3.1.5 Cache

ESP32-C3 has an eight-way set associative cache. This cache is read-only and has the following features:

- size: 16 KB
- block size: 32 bytes
- pre-load function
- lock function

- critical word first and early restart

3.2 System Clocks

For more information, please refer to Chapter [Reset and Clock](#) in *ESP32-C3 Technical Reference Manual*.

3.2.1 CPU Clock

The CPU clock has three possible sources:

- external main crystal clock
- fast RC oscillator (typically about 17.5 MHz, and adjustable)
- PLL clock

The application can select the clock source from the three clocks above. The selected clock source drives the CPU clock directly, or after division, depending on the application. Once the CPU is reset, the default clock source would be the external main crystal clock divided by 2.

Note:

ESP32-C3 is unable to operate without an external main crystal clock.

3.2.2 RTC Clock

The RTC slow clock is used for RTC counter, RTC watchdog and low-power controller. It has three possible sources:

- external low-speed (32 kHz) crystal clock
- internal slow RC oscillator (typically about 136 kHz, and adjustable)
- internal fast RC oscillator divided clock (derived from the fast RC oscillator divided by 256)

The RTC fast clock is used for RTC peripherals and sensor controllers. It has two possible sources:

- external main crystal clock divided by 2
- internal fast RC oscillator divide-by-N clock (typically about 17.5 MHz, and adjustable)

3.3 Analog Peripherals

For more information, please refer to Chapter [On-Chip Sensors and Analog Signal Processing](#) in *ESP32-C3 Technical Reference Manual*.

3.3.1 Analog-to-Digital Converter (ADC)

ESP32-C3 integrates two 12-bit SAR ADCs.

- ADC1 supports measurements on 5 channels, and is factory-calibrated.
- ADC2 supports measurements on 1 channel, and is not factory-calibrated.

Note:

ADC2 of some chip revisions is not operable. For details, please refer to [ESP32-C3 Series SoC Errata](#).

For ADC characteristics, please refer to Table 15.

For GPIOs assigned to ADC, please refer to Table 10.

3.3.2 Temperature Sensor

The temperature sensor generates a voltage that varies with temperature. The voltage is internally converted via an ADC into a digital value.

The temperature sensor has a range of $-40\text{ }^{\circ}\text{C}$ to $125\text{ }^{\circ}\text{C}$. It is designed primarily to sense the temperature changes inside the chip. The temperature value depends on factors like microcontroller clock frequency or I/O load. Generally, the chip's internal temperature is higher than the operating ambient temperature.

3.4 Digital Peripherals

3.4.1 General Purpose Input / Output Interface (GPIO)

ESP32-C3 has 22 or 16 GPIO pins which can be assigned various functions by configuring corresponding registers. Besides digital signals, some GPIOs can be also used for analog functions, such as ADC.

All GPIOs have selectable internal pull-up or pull-down, or can be set to high impedance. When these GPIOs are configured as an input, the input value can be read by software through the register. Input GPIOs can also be set to generate edge-triggered or level-triggered CPU interrupts. All digital IO pins are bi-directional, non-inverting and tristate, including input and output buffers with tristate control. These pins can be multiplexed with other functions, such as the UART, SPI, etc. For low-power operations, the GPIOs can be set to holding state.

The IO MUX and the GPIO matrix are used to route signals from peripherals to GPIO pins. Together they provide highly configurable I/O. Using GPIO Matrix, peripheral input signals can be configured from any IO pins while peripheral output signals can be configured to any IO pins. Table 6 shows the IO MUX functions of each pin.

Table 6: IO MUX Pin Functions

| Name | No. | Function 0 | Function 1 | Function 2 | Reset | Notes |
|------------|-----|------------|------------|------------|-------|-------|
| XTAL_32K_P | 4 | GPIO0 | GPIO0 | — | 0 | R |
| XTAL_32K_N | 5 | GPIO1 | GPIO1 | — | 0 | R |
| GPIO2 | 6 | GPIO2 | GPIO2 | FSPIQ | 1 | R |
| GPIO3 | 8 | GPIO3 | GPIO3 | — | 1 | R |
| MTMS | 9 | MTMS | GPIO4 | FSPIHD | 1 | R |
| MTDI | 10 | MTDI | GPIO5 | FSPIWP | 1 | R |
| MTCK | 12 | MTCK | GPIO6 | FSPICLK | 1* | G |
| MTDO | 13 | MTDO | GPIO7 | FSPID | 1 | G |
| GPIO8 | 14 | GPIO8 | GPIO8 | — | 1 | — |
| GPIO9 | 15 | GPIO9 | GPIO9 | — | 3 | — |
| GPIO10 | 16 | GPIO10 | GPIO10 | FSPICS0 | 1 | G |

| Name | No. | Function 0 | Function 1 | Function 2 | Reset | Notes |
|----------------------|-----|------------|------------|------------|-------|--------|
| VDD_SPI ¹ | 18 | GPIO11 | GPIO11 | — | 0 | — |
| SPIHD | 19 | SPIHD | GPIO12 | — | 3 | — |
| SPIWP | 20 | SPIWP | GPIO13 | — | 3 | — |
| SPICS0 | 21 | SPICS0 | GPIO14 | — | 3 | — |
| SPICLK | 22 | SPICLK | GPIO15 | — | 3 | — |
| SPID | 23 | SPID | GPIO16 | — | 3 | — |
| SPIQ | 24 | SPIQ | GPIO17 | — | 3 | — |
| GPIO18 | 25 | GPIO18 | GPIO18 | — | 0 | USB, G |
| GPIO19 | 26 | GPIO19 | GPIO19 | — | 0* | USB |
| U0RXD | 27 | U0RXD | GPIO20 | — | 3 | G |
| U0TXD | 28 | U0TXD | GPIO21 | — | 4 | — |

¹ For ESP32-C3FH4AZ, pins within the frame (namely pin 19 ~ pin 24) are not bonded, and are labelled as "not connected".

Reset

The default configuration of each pin after reset:

- **0** - input disabled, in high impedance state (IE = 0)
- **1** - input enabled, in high impedance state (IE = 1)
- **2** - input enabled, pull-down resistor enabled (IE = 1, WPD = 1)
- **3** - input enabled, pull-up resistor enabled (IE = 1, WPU = 1)
- **4** - output enabled, pull-up resistor enabled (OE = 1, WPU = 1)
- **0*** - input disabled, pull-up resistor enabled (IE = 0, WPU = 0, USB_WPU = 1). See details in Notes
- **1*** - When the value of eFuse bit EFUSE_DIS_PAD_JTAG is
 - 0, input enabled, pull-up resistor enabled (IE = 1, WPU = 1)
 - 1, input enabled, in high impedance state (IE = 1)

We recommend pulling high or low GPIO pins in high impedance state to avoid unnecessary power consumption. You may add pull-up and pull-down resistors in your PCB design referring to Table 14, or enable internal pull-up and pull-down resistors during software initialization.

Notes

- **R** - These pins have analog functions.
- **USB** - GPIO18 and GPIO19 are USB pins. The pull-up value of a USB pin is controlled by the pin's pull-up value together with USB pull-up value. If any of the two pull-up values is 1, the pin's pull-up resistor will be enabled. The pull-up resistors of USB pins are controlled by USB_SERIAL_JTAG_DP_PULLUP bit.
- **G** - These pins have glitches during power-up. See details in Table 7.

Table 7: Power-Up Glitches on Pins

| Pin | Glitch ¹ | Typical Time Period (ns) |
|--------|---------------------|--------------------------|
| MTCK | Low-level glitch | 5 |
| MTDO | Low-level glitch | 5 |
| GPIO10 | Low-level glitch | 5 |
| U0RXD | Low-level glitch | 5 |
| GPIO18 | High-level glitch | 50000 |

¹ Low-level glitch: the pin is at a low level output status during the time period;

High-level glitch: the pin is at a high level output status during the time period;

Pull-down glitch: the pin is at an internal weak pulled-down status during the time period;

Pull-up glitch: the pin is at an internal weak pulled-up status during the time period.

Please refer to Table 14 for detailed parameters about low/high-level and pull-down/up.

For more information, please refer to Chapter [IO MUX and GPIO Matrix \(GPIO, IO_MUX\)](#) in *ESP32-C3 Technical Reference Manual*.

3.4.2 Serial Peripheral Interface (SPI)

ESP32-C3 features three SPI interfaces (SPI0, SPI1, and SPI2). SPI0 and SPI1 can be configured to operate in SPI memory mode, while SPI2 can be configured to operate in general-purpose SPI modes.

- **SPI Memory mode**

In SPI memory mode, SPI0 and SPI1 interface with SPI memory. Data are transferred in unit of byte. Up to four-line STR reads and writes are supported. The clock frequency is configurable to a maximum of 120 MHz in STR mode.

- **SPI2 General-purpose SPI (GP-SPI) mode**

When SPI2 acts as a general-purpose SPI, it can operate in master and slave modes. SPI2 supports two-line full-duplex communication and single-/two-/four-line half-duplex communication in both master and slave modes. The host's clock frequency is configurable. Data are transferred in unit of byte. The clock polarity (CPOL) and phase (CPHA) are also configurable. The SPI2 interface can connect to GDMA.

- In master mode, the clock frequency is 80 MHz at most, and the four modes of SPI transfer format are supported.
- In slave mode, the clock frequency is 60 MHz at most, and the four modes of SPI transfer format are also supported.

The mapping between SPI bus signals and GPIO pins is shown in Table 8:

Table 8: Mapping of SPI Signals and Chip Pins

| Full-Duplex SPI Signal | Half-Duplex SPI Signal | Chip Pin Signal | |
|---------------------------|---------------------------|-----------------|--------------|
| | | Pin Function | FSPI Signals |
| MOSI | MOSI | D | FSPID |
| MISO | (MISO) | Q | FSPIQ |
| CS | CS | CS | FSPICS0 ~ 5 |
| CLK | CLK | CLK | FSPICLK |
| — | — | WP | FSPIWP |
| — | — | HD | FSPIHD |

In most cases, the data port connection between ESP32-C3 and external flash is as follows:

Table 9: Connection Between ESP32-C3 and External Flash

| Chip Pin | External Flash Data Port | | |
|---------------|--------------------------|-------------------|--------------------|
| | SPI Single-Line Mode | SPI Two-Line Mode | SPI Four-Line Mode |
| SPID (SPID) | DI | IO0 | IO0 |
| SPIQ (SPIQ) | DO | IO1 | IO1 |
| SPIWP (SPIWP) | WP# | — | IO2 |
| SPIHD (SPIHD) | HOLD# | — | IO3 |

For GPIOs assigned to SPI, please refer to Table 10.

For more information, please refer to Chapter [SPI Controller \(SPI\)](#) in *ESP32-C3 Technical Reference Manual*.

3.4.3 Universal Asynchronous Receiver Transmitter (UART)

ESP32-C3 has two UART interfaces, i.e. UART0 and UART1, which support IrDA and asynchronous communication (RS232 and RS485) at a speed of up to 5 Mbps. The UART controller provides hardware flow control (CTS and RTS signals) and software flow control (XON and XOFF). Both UART interfaces connect to GDMA via UHCI0, and can be accessed by the GDMA controller or directly by the CPU.

For GPIOs assigned to UART, please refer to Table 10.

For more information, please refer to Chapter [UART Controller \(UART\)](#) in *ESP32-C3 Technical Reference Manual*.

3.4.4 I2C Interface

ESP32-C3 has an I2C bus interface which is used for I2C master mode or slave mode, depending on your configuration. The I2C interface supports:

- standard mode (100 Kbit/s)
- fast mode (400 Kbit/s)
- up to 800 Kbit/s (constrained by SCL and SDA pull-up strength)
- 7-bit and 10-bit addressing mode
- double addressing mode
- 7-bit broadcast address

You can configure instruction registers to control the I2C interface for more flexibility.

For GPIOs assigned to I2C, please refer to Table 10.

For more information, please refer to Chapter [I2C Controller \(I2C\)](#) in *ESP32-C3 Technical Reference Manual*.

3.4.5 I2S Interface

ESP32-C3 includes a standard I2S interface. This interface can operate as a master or a slave in full-duplex mode or half-duplex mode, and can be configured for 8-bit, 16-bit, 24-bit, or 32-bit serial communication. BCK clock frequency, from 10 kHz up to 40 MHz, is supported.

The I2S interface connects to the GDMA controller. The interface supports TDM PCM, TDM MSB alignment, TDM standard, and PDM standard.

For GPIOs assigned to I2S, please refer to Table 10.

For more information, please refer to Chapter [I2S Controller \(I2S\)](#) in *ESP32-C3 Technical Reference Manual*.

3.4.6 Remote Control Peripheral

The Remote Control Peripheral (RMT) supports two channels of infrared remote transmission and two channels of infrared remote reception. By controlling pulse waveform through software, it supports various infrared and other single wire protocols. All four channels share a 192 × 32-bit memory block to store transmit or receive waveform.

For GPIOs assigned to the Remote Control Peripheral, please refer to Table 10.

For more information, please refer to Chapter [Remote Control Peripheral \(RMT\)](#) in *ESP32-C3 Technical Reference Manual*.

3.4.7 LED PWM Controller

The LED PWM controller can generate independent digital waveform on six channels. The LED PWM controller:

- can generate digital waveform with configurable periods and duty cycle. The accuracy of duty cycle can be up to 18 bits.
- has multiple clock sources, including APB clock and external main crystal clock.
- can operate when the CPU is in Light-sleep mode.
- supports gradual increase or decrease of duty cycle, which is useful for the LED RGB color-gradient generator.

For GPIOs assigned to LED PWM, please refer to Table 10.

For more information, please refer to Chapter [LED PWM Controller \(LEDC\)](#) in *ESP32-C3 Technical Reference Manual*.

3.4.8 General DMA Controller

ESP32-C3 has a general DMA controller (GDMA) with six independent channels, i.e. three transmit channels and three receive channels. These six channels are shared by peripherals with DMA feature. The GDMA controller implements a fixed-priority scheme among these channels, whose priority can be configured.

The GDMA controller controls data transfer using linked lists. It allows peripheral-to-memory and memory-to-memory data transfer at a high speed. All channels can access internal RAM.

Peripherals on ESP32-C3 with DMA feature are SPI2, UHCI0, I2S, AES, SHA, and ADC.

For more information, please refer to Chapter [GDMA Controller \(GDMA\)](#) in *ESP32-C3 Technical Reference Manual*.

3.4.9 USB Serial/JTAG Controller

ESP32-C3 integrates a USB Serial/JTAG controller. This controller has the following features:

- CDC-ACM virtual serial port and JTAG adapter functionality
- USB 2.0 full speed compliant, capable of up to 12 Mbit/s transfer speed (Note that this controller does not support the faster 480 Mbit/s high-speed transfer mode)
- programming embedded/external flash
- CPU debugging with compact JTAG instructions
- a full-speed USB PHY integrated in the chip

For GPIOs assigned to USB Serial/JTAG, please refer to Table 10.

For more information, please refer to Chapter [USB Serial/JTAG Controller \(USB_SERIAL_JTAG\)](#) in *ESP32-C3 Technical Reference Manual*.

3.4.10 TWAI[®] Controller

ESP32-C3 has a TWAI[®] controller with the following features:

- compatible with ISO 11898-1 protocol (CAN Specification 2.0)
- standard frame format (11-bit ID) and extended frame format (29-bit ID)
- bit rates from 1 Kbit/s to 1 Mbit/s
- multiple modes of operation: Normal, Listen Only, and Self-Test (no acknowledgment required)
- 64-byte receive FIFO
- acceptance filter (single and dual filter modes)
- error detection and handling: error counters, configurable error interrupt threshold, error code capture, arbitration lost capture

For GPIOs assigned to TWAI, please refer to Table 10.

For more information, please refer to Chapter [Two-wire Automotive Interface \(TWAI\)](#) in *ESP32-C3 Technical Reference Manual*.

3.5 Radio and Wi-Fi

ESP32-C3 radio consists of the following blocks:

- 2.4 GHz receiver
- 2.4 GHz transmitter
- bias and regulators
- balun and transmit-receive switch
- clock generator

3.5.1 2.4 GHz Receiver

The 2.4 GHz receiver demodulates the 2.4 GHz RF signal to quadrature baseband signals and converts them to the digital domain with two high-resolution, high-speed ADCs. To adapt to varying signal channel conditions, ESP32-C3 integrates RF filters, Automatic Gain Control (AGC), DC offset cancelation circuits, and baseband filters.

3.5.2 2.4 GHz Transmitter

The 2.4 GHz transmitter modulates the quadrature baseband signals to the 2.4 GHz RF signal, and drives the antenna with a high-powered CMOS power amplifier. The use of digital calibration further improves the linearity of the power amplifier.

Additional calibrations are integrated to cancel any radio imperfections, such as:

- carrier leakage
- I/Q amplitude/phase matching
- baseband nonlinearities
- RF nonlinearities
- antenna matching

These built-in calibration routines reduce the cost, time, and specialized equipment required for product testing.

3.5.3 Clock Generator

The clock generator produces quadrature clock signals of 2.4 GHz for both the receiver and the transmitter. All components of the clock generator are integrated into the chip, including inductors, varactors, filters, regulators and dividers.

The clock generator has built-in calibration and self-test circuits. Quadrature clock phases and phase noise are optimized on chip with patented calibration algorithms which ensure the best performance of the receiver and the transmitter.

3.5.4 Wi-Fi Radio and Baseband

ESP32-C3 Wi-Fi radio and baseband support the following features:

- 802.11b/g/n
- 802.11n MCS0-7 that supports 20 MHz and 40 MHz bandwidth
- 802.11n MCS32
- 802.11n 0.4 μ s guard interval
- data rate up to 150 Mbps
- RX STBC (single spatial stream)
- adjustable transmitting power
- antenna diversity

ESP32-C3 supports antenna diversity with an external RF switch. This switch is controlled by one or more GPIOs, and used to select the best antenna to minimize the effects of channel imperfections.

3.5.5 Wi-Fi MAC

ESP32-C3 implements the full 802.11 b/g/n Wi-Fi MAC protocol. It supports the Basic Service Set (BSS) STA and SoftAP operations under the Distributed Control Function (DCF). Power management is handled automatically with minimal host interaction to minimize the active duty period.

ESP32-C3 Wi-Fi MAC applies the following low-level protocol functions automatically:

- 4 × virtual Wi-Fi interfaces
- infrastructure BSS in Station mode, SoftAP mode, Station + SoftAP mode, and promiscuous mode
- RTS protection, CTS protection, Immediate Block ACK
- fragmentation and defragmentation
- TX/RX A-MPDU, TX/RX A-MSDU
- transmit opportunity (TXOP)
- Wi-Fi multimedia (WMM)
- GCMP, CCMP, TKIP, WAPI, WEP, BIP, WPA2-PSK/WPA2-Enterprise, and WPA3-PSK/WPA3-Enterprise
- automatic beacon monitoring (hardware TSF)
- 802.11mc FTM

3.5.6 Networking Features

Espressif provides libraries for TCP/IP networking, ESP-WIFI-MESH networking, and other networking protocols over Wi-Fi. TLS 1.0, 1.1 and 1.2 is also supported.

3.6 Bluetooth LE

ESP32-C3 includes a Bluetooth Low Energy subsystem that integrates a hardware link layer controller, an RF/modem block and a feature-rich software protocol stack. It supports the core features of Bluetooth 5 and Bluetooth mesh.

3.6.1 Bluetooth LE Radio and PHY

Bluetooth Low Energy radio and PHY in ESP32-C3 support:

- 1 Mbps PHY
- 2 Mbps PHY for higher data rates
- coded PHY for longer range (125 Kbps and 500 Kbps)
- HW Listen before talk (LBT)

3.6.2 Bluetooth LE Link Layer Controller

Bluetooth Low Energy Link Layer Controller in ESP32-C3 supports:

- LE advertising extensions, to enhance broadcasting capacity and broadcast more intelligent data
- multiple advertisement sets
- simultaneous advertising and scanning
- multiple connections in simultaneous central and peripheral roles
- adaptive frequency hopping and channel assessment

- LE channel selection algorithm #2
- connection parameter update
- high duty cycle non-connectable advertising
- LE privacy 1.2
- LE data packet length extension
- link layer extended scanner filter policies
- low duty cycle directed advertising
- link layer encryption
- LE Ping

3.7 Low Power Management

With the use of advanced power-management technologies, ESP32-C3 can switch between different power modes.

- Active mode: CPU and chip radio are powered on. The chip can receive, transmit, or listen.
- Modem-sleep mode: The CPU is operational and the clock speed can be reduced. Wi-Fi base band, Bluetooth LE base band, and radio are disabled, but Wi-Fi and Bluetooth LE connection can remain active.
- Light-sleep mode: The CPU is paused. Any wake-up events (MAC, host, RTC timer, or external interrupts) will wake up the chip. Wi-Fi and Bluetooth LE connection can remain active.
- Deep-sleep mode: CPU and most peripherals are powered down. Only the RTC memory is powered on. Wi-Fi connection data are stored in the RTC memory. The RTC timer or the RTC GPIOs can wake up the chip from the Deep-sleep mode.

For power consumption in different power modes, please refer to Section 4.6.

3.8 Timers

3.8.1 General Purpose Timers

ESP32-C3 is embedded with two 54-bit general-purpose timers, which are based on 16-bit prescalers and 54-bit auto-reload-capable up/down-timers.

The timers' features are summarized as follows:

- a 16-bit clock prescaler, from 1 to 65536
- a 54-bit time-base counter programmable to be incrementing or decrementing
- able to read real-time value of the time-base counter
- halting and resuming the time-base counter
- programmable alarm generation
- level interrupt generation

For more information, please refer to Chapter [Timer Group \(TIMG\)](#) in *ESP32-C3 Technical Reference Manual*.

3.8.2 System Timer

ESP32-C3 integrates a 52-bit system timer, which has two 52-bit counters and three comparators. The system timer has the following features:

- counters with a fixed clock frequency of 16 MHz
- three types of independent interrupts generated according to alarm value
- two alarm modes: target mode and period mode
- 52-bit target alarm value and 26-bit periodic alarm value
- automatic reload of counter value
- counters can be stalled if the CPU is stalled or in OCD mode

For more information, please refer to Chapter [System Timer \(SYSTIMER\)](#) in *ESP32-C3 Technical Reference Manual*.

3.8.3 Watchdog Timers

For more information, please refer to Chapter [Watchdog Timers \(WDT\)](#) in *ESP32-C3 Technical Reference Manual*.

Digital Watchdog Timers

ESP32-C3 contains three digital watchdog timers: one in each of the two timer groups (called Main System Watchdog Timers, or MWDT) and one in the RTC module (called the RTC Watchdog Timer, or RWDT).

During the flash boot process, RWDT and the MWDT in timer group 0 (TIMG0) are enabled automatically in order to detect and recover from booting errors.

Digital watchdog timers have the following features:

- four stages, each with a programmable timeout value. Each stage can be configured, enabled and disabled separately
- interrupt, CPU reset, or core reset for MWDT upon expiry of each stage; interrupt, CPU reset, core reset, or system reset for RWDT upon expiry of each stage
- 32-bit expiry counter
- write protection, to prevent RWDT and MWDT configuration from being altered inadvertently
- flash boot protection

If the boot process from an SPI flash does not complete within a predetermined period of time, the watchdog will reboot the entire main system.

Analog Watchdog Timer

ESP32-C3 also has one analog watchdog timer: RTC super watchdog timer (SWD). It is an ultra-low-power circuit in analog domain that helps to prevent the system from operating in a sub-optimal state and resets the system if required.

SWD has the following features:

- Ultra-low power
- Interrupt to indicate that the SWD timeout period is close to expiring

- Various dedicated methods for software to feed SWD, which enables SWD to monitor the working state of the whole operating system

3.9 Cryptographic Hardware Accelerators

ESP32-C3 is equipped with hardware accelerators of general algorithms, such as AES-128/AES-256 (FIPS PUB 197), ECB/CBC/OFB/CFB/CTR (NIST SP 800-38A), SHA1/SHA224/SHA256 (FIPS PUB 180-4), and RSA3072. The chip also supports independent arithmetic, such as Big Integer Multiplication and Big Integer Modular Multiplication. The maximum operation length for RSA and Big Integer Modular Multiplication is 3072 bits. The maximum factor length for Big Integer Multiplication is 1536 bits.

3.10 Physical Security Features

- Transparent external flash encryption (AES-XTS algorithm) with software inaccessible key prevents unauthorized readout of your application code or data.
- Secure boot feature uses a hardware root of trust to ensure only signed firmware (with RSA-PSS signature) can be booted.
- HMAC module can use a software inaccessible MAC key to generate MAC signatures for identity verification and other purposes.
- Digital Signature module can use a software inaccessible secure key to generate RSA signatures for identity verification.
- World Controller provides two running environments for software. All hardware and software resources are sorted to two groups, and placed in either secure or general world. The secure world cannot be accessed by hardware in the general world, thus establishing a security boundary.

3.11 Peripheral Pin Configurations

Table 10: Peripheral Pin Configurations

| Interface | Signal | Pin | Function |
|-----------|----------|------------|-----------------------------|
| ADC | ADC1_CH0 | XTAL_32K_P | Two 12-bit SAR ADCs |
| | ADC1_CH1 | XTAL_32K_N | |
| | ADC1_CH2 | GPIO2 | |
| | ADC1_CH3 | GPIO3 | |
| | ADC1_CH4 | MTMS | |
| | ADC2_CH0 | MTDI | |
| JTAG | MTDI | MTDI | JTAG for software debugging |
| | MTCK | MTCK | |
| | MTMS | MTMS | |
| | MTDO | MTDO | |

| Interface | Signal | Pin | Function |
|---------------------------|--------------------|---------------|---|
| UART | U0RXD_in | Any GPIO pins | Two UART channels with hardware flow control and GDMA |
| | U0CTS_in | | |
| | U0DSR_in | | |
| | U0TXD_out | | |
| | U0RTS_out | | |
| | U0DTR_out | | |
| | U1RXD_in | | |
| | U1CTS_in | | |
| | U1DSR_in | | |
| | U1TXD_out | | |
| | U1RTS_out | | |
| | U1DTR_out | | |
| I2C | I2CEXT0_SCL_in | Any GPIO pins | One I2C channel in slave or master mode |
| | I2CEXT0_SDA_in | | |
| | I2CEXT1_SCL_in | | |
| | I2CEXT1_SDA_in | | |
| | I2CEXT0_SCL_out | | |
| | I2CEXT0_SDA_out | | |
| | I2CEXT1_SCL_out | | |
| | I2CEXT1_SDA_out | | |
| LED PWM | ledc_ls_sig_out0~5 | Any GPIO pins | Six independent PWM channels |
| I2S | I2S0O_BCK_in | Any GPIO pins | Stereo input and output from/to the audiocodec |
| | I2S_MCLK_in | | |
| | I2SO_WS_in | | |
| | I2SI_SD_in | | |
| | I2SI_BCK_in | | |
| | I2SI_WS_in | | |
| | I2SO_BCK_out | | |
| | I2S_MCLK_out | | |
| | I2SO_WS_out | | |
| | I2SO_SD_out | | |
| | I2SI_BCK_out | | |
| | I2SI_WS_out | | |
| | I2SO_SD1_out | | |
| Remote Control Peripheral | RMT_SIG_IN0~1 | Any GPIO pins | Two channels for an IR transceiver of various waveforms |
| | RMT_SIG_OUT0~1 | | |
| SPI0/1 | SPICLK_out_mux | SPICLK | Support Standard SPI, Dual SPI, Quad SPI, and QPI that allow connection to external flash |
| | SPICS0_out | SPICS0 | |
| | SPICS1_out | Any GPIO pins | |
| | SPID_in/_out | SPID | |
| | SPIQ_in/_out | SPIQ | |
| | SPIWP_in/_out | SPIWP | |
| | SPIHD_in/_out | SPIHD | |

| Interface | Signal | Pin | Function |
|-----------------|---------------------|---------------|--|
| SPI2 | FSPICLK_in/_out_mux | Any GPIO pins | <ul style="list-style-type: none"> • Master mode and slave mode of SPI, Dual SPI, Quad SPI, and QPI • Connection to external flash, RAM, and other SPI devices • Four modes of SPI transfer format • Configurable SPI frequency • 64-byte FIFO or GDMA buffer |
| | FSPICS0_in/_out | | |
| | FSPICS1~5_out | | |
| | FSPID_in/_out | | |
| | FSPIQ_in/_out | | |
| | FSPWP_in/_out | | |
| | FSPH_in/_out | | |
| USB Serial/JTAG | USB_D+ | GPIO19 | USB-to-serial converter, and USB-to-JTAG converter |
| | USB_D- | GPIO18 | |
| TWAI | twai_rx | Any GPIO pins | Compatible with ISO 11898-1 protocol |
| | twai_tx | | |
| | twai_bus_off_on | | |
| | twai_clkout | | |

4. Electrical Characteristics

4.1 Absolute Maximum Ratings

Stresses beyond the absolute maximum ratings listed in the table below may cause permanent damage to the device. These are stress ratings only, and do not refer to the functional operation of the device.

Table 11: Absolute Maximum Ratings

| Symbol | Parameter | Min | Max | Unit |
|---|---|------|-----|------|
| VDDA, VDD3P3, VDD3P3_RTC, VDD3P3_CPU, VDD_SPI | Voltage applied to power supply pins per power domain | -0.3 | 3.6 | V |
| T _{STORE} | Storage temperature | -40 | 150 | °C |

4.2 Recommended Operating Conditions

Table 12: Recommended Operating Conditions

| Symbol | Parameter | Min | Typ | Max | Unit |
|--|---|-----|-----|-----|------|
| VDDA, VDD3P3 VDD3P3_RTC | Voltage applied to power supply pins per power domain | 3.0 | 3.3 | 3.6 | V |
| VDD_SPI (working as input power supply) ¹ | — | 3.0 | 3.3 | 3.6 | V |
| VDD3P3_CPU ^{2,3} | Voltage applied to power supply pin | 3.0 | 3.3 | 3.6 | V |
| I _{VDD} ⁴ | Current delivered by external power supply | 0.5 | — | — | A |
| T _A | Operating ambient temperature | -40 | — | 105 | °C |
| | | | | 85 | |
| | | | | 105 | |

¹ For more information, please refer to Section 2.3 *Power Scheme*.

² When VDD_SPI is used to drive peripherals, VDD3P3_CPU should comply with the peripherals' specifications. For more information, please refer to Table 13.

³ To write eFuse, VDD3P3_CPU should not be higher than 3.3 V.

⁴ If you use a single power supply, the recommended output current is 500 mA or more.

4.3 VDD_SPI Output Characteristics

Table 13: VDD_SPI Output Characteristics

| Symbol | Parameter | Typ | Unit |
|------------------|-----------------------------|-----|------|
| R _{SPI} | On-resistance in 3.3 V mode | 7.5 | Ω |

Note:

In real-life applications, when VDD_SPI works in 3.3 V output mode, VDD3P3_CPU may be affected by R_{SPI} . For example, when VDD3P3_CPU is used to drive a 3.3 V flash, it should comply with the following specifications:

$$VDD3P3_CPU > VDD_flash_min + I_flash_max * R_{SPI}$$

Among which, VDD_flash_min is the minimum operating voltage of the flash, and I_flash_max the maximum current.

For more information, please refer to section [2.3 Power Scheme](#).

4.4 DC Characteristics (3.3 V, 25 °C)

Table 14: DC Characteristics (3.3 V, 25 °C)

| Symbol | Parameter | Min | Typ | Max | Unit |
|----------------|--|---------------------|-----|---------------------|------------|
| C_{IN} | Pin capacitance | — | 2 | — | pF |
| V_{IH} | High-level input voltage | $0.75 \times VDD^1$ | — | $VDD^1 + 0.3$ | V |
| V_{IL} | Low-level input voltage | -0.3 | — | $0.25 \times VDD^1$ | V |
| I_{IH} | High-level input current | — | — | 50 | nA |
| I_{IL} | Low-level input current | — | — | 50 | nA |
| V_{OH}^2 | High-level output voltage | $0.8 \times VDD^1$ | — | — | V |
| V_{OL}^2 | Low-level output voltage | — | — | $0.1 \times VDD^1$ | V |
| I_{OH} | High-level source current (VDD ¹ = 3.3 V, $V_{OH} \geq 2.64$ V, PAD_DRIVER = 3) | — | 40 | — | mA |
| I_{OL} | Low-level sink current (VDD ¹ = 3.3 V, $V_{OL} = 0.495$ V, PAD_DRIVER = 3) | — | 28 | — | mA |
| R_{PU} | Pull-up resistor | — | 45 | — | k Ω |
| R_{PD} | Pull-down resistor | — | 45 | — | k Ω |
| V_{IH_nRST} | Chip reset release voltage | $0.75 \times VDD^1$ | — | $VDD^1 + 0.3$ | V |
| V_{IL_nRST} | Chip reset voltage | -0.3 | — | $0.25 \times VDD^1$ | V |

¹ VDD is the I/O voltage for a particular power domain of pins.

² V_{OH} and V_{OL} are measured using high-impedance load.

4.5 ADC Characteristics

Table 15: ADC Characteristics

| Symbol | Parameter | Min | Max | Unit |
|--|---|-----|-----|-------------------|
| DNL (Differential nonlinearity) ¹ | ADC connected to an external 100 nF capacitor; DC signal input; ambient temperature at 25 °C; Wi-Fi off | -7 | 7 | LSB |
| INL (Integral nonlinearity) | | -12 | 12 | LSB |
| Sampling rate | — | — | 100 | kSPS ² |

¹ To get better DNL results, you can sample multiple times and apply a filter, or calculate the average value.

² kSPS means kilo samples-per-second.

The calibrated ADC results after hardware calibration + [software calibration](#) are shown in Table 16. For higher accuracy, you may implement your own calibration methods.

Table 16: ADC Calibration Results

| Parameter | Description | Min | Max | Unit |
|-------------|---|-----|-----|------|
| Total error | ATTEN0, effective measurement range of 0 ~ 750 | -10 | 10 | mV |
| | ATTEN1, effective measurement range of 0 ~ 1050 | -10 | 10 | mV |
| | ATTEN2, effective measurement range of 0 ~ 1300 | -10 | 10 | mV |
| | ATTEN3, effective measurement range of 0 ~ 2500 | -35 | 35 | mV |

4.6 Current Consumption

The current consumption measurements are taken with a 3.3 V supply at 25 °C of ambient temperature at the RF port. All transmitters' measurements are based on a 100% duty cycle.

4.6.1 RF Current Consumption in Active Mode

Table 17: Current Consumption Depending on RF Modes

| Work mode | Description | Peak (mA) | |
|---------------------|-------------|--------------------------------|-----|
| Active (RF working) | TX | 802.11b, 1 Mbps, @21 dBm | 335 |
| | | 802.11g, 54 Mbps, @19 dBm | 285 |
| | | 802.11n, HT20, MCS7, @18.5 dBm | 276 |
| | | 802.11n, HT40, MCS7, @18.5 dBm | 278 |
| | RX | 802.11b/g/n, HT20 | 84 |
| | | 802.11n, HT40 | 87 |

4.6.2 Current Consumption in Other Modes

Table 18: Current Consumption in Modem-sleep Mode

| Mode | CPU Frequency (MHz) | Description | Typ | |
|----------------------------|---------------------|----------------|--------------------------------------|--|
| | | | All Peripherals Clocks Disabled (mA) | All Peripherals Clocks Enabled (mA) ¹ |
| Modem-sleep ^{2,3} | 160 | CPU is running | 23 | 28 |
| | | CPU is idle | 16 | 21 |
| | 80 | CPU is running | 17 | 22 |
| | | CPU is idle | 13 | 18 |

¹ In practice, the current consumption might be different depending on which peripherals are enabled.

² In Modem-sleep mode, Wi-Fi is clock gated.

³ In Modem-sleep mode, the consumption might be higher when accessing flash. For a flash rated at 80 Mbit/s, in SPI 2-line mode the consumption is 10 mA.

Table 19: Current Consumption in Low-Power Modes

| Mode | Description | Typ (μA) |
|-------------|--|-----------------------|
| Light-sleep | VDD_SPI and Wi-Fi are powered down, and all GPIOs are high-impedance | 130 |
| Deep-sleep | RTC timer + RTC memory | 5 |
| Power off | CHIP_EN is set to low level, the chip is powered off | 1 |

4.7 Reliability

Table 20: Reliability Qualifications

| Test Item | Test Conditions | Test Standard |
|--|---|--------------------------------|
| HTOL (High Temperature Operating Life) | 125 °C, 1000 hours | JESD22-A108 |
| ESD (Electro-Static Discharge Sensitivity) | HBM (Human Body Mode) ¹ ± 2000 V | JS-001 |
| | CDM (Charge Device Mode) ² ± 1000 V | JS-002 |
| Latch up | Current trigger ± 200 mA | JESD78 |
| | Voltage trigger $1.5 \times VDD_{max}$ | |
| Preconditioning | Bake 24 hours @125 °C Moisture soak (level 3: 192 hours @30 °C, 60% RH) IR reflow solder: 260 + 0 °C, 20 seconds, three times | J-STD-020, JESD47, JESD22-A113 |
| TCT (Temperature Cycling Test) | -65 °C / 150 °C, 500 cycles | JESD22-A104 |
| uHAST (Highly Accelerated Stress Test, unbiased) | 130 °C, 85% RH, 96 hours | JESD22-A118 |
| HTSL (High Temperature Storage Life) | 150 °C, 1000 hours | JESD22-A103 |
| LTSL (Low Temperature Storage Life) | -40 °C, 1000 hours | JESD22-A119 |

¹ JEDEC document JEP155 states that 500 V HBM allows safe manufacturing with a standard ESD control process.

² JEDEC document JEP157 states that 250 V CDM allows safe manufacturing with a standard ESD control process.

4.8 Wi-Fi Radio

Table 21: Wi-Fi Frequency

| Parameter | Min (MHz) | Typ (MHz) | Max (MHz) |
|---------------------------------------|-----------|-----------|-----------|
| Center frequency of operating channel | 2412 | — | 2484 |

4.8.1 Wi-Fi RF Transmitter (TX) Specifications

Table 22: TX Power with Spectral Mask and EVM Meeting 802.11 Standards

| Rate | Min (dBm) | Typ (dBm) | Max (dBm) |
|---------------------|-----------|-----------|-----------|
| 802.11b, 1 Mbps | — | 21.0 | — |
| 802.11b, 11 Mbps | — | 21.0 | — |
| 802.11g, 6 Mbps | — | 21.0 | — |
| 802.11g, 54 Mbps | — | 19.0 | — |
| 802.11n, HT20, MCS0 | — | 20.0 | — |
| 802.11n, HT20, MCS7 | — | 18.5 | — |
| 802.11n, HT40, MCS0 | — | 20.0 | — |
| 802.11n, HT40, MCS7 | — | 18.5 | — |

Table 23: TX EVM Test

| Rate | Min (dB) | Typ (dB) | SL ¹ (dB) |
|--------------------------------|----------|----------|----------------------|
| 802.11b, 1 Mbps, @21 dBm | — | -24.5 | -10 |
| 802.11b, 11 Mbps, @21 dBm | — | -25.0 | -10 |
| 802.11g, 6 Mbps, @21 dBm | — | -23.0 | -5 |
| 802.11g, 54 Mbps, @19 dBm | — | -27.5 | -25 |
| 802.11n, HT20, MCS0, @20 dBm | — | -22.5 | -5 |
| 802.11n, HT20, MCS7, @18.5 dBm | — | -29.0 | -27 |
| 802.11n, HT40, MCS0, @20 dBm | — | -22.5 | -5 |
| 802.11n, HT40, MCS7, @18.5 dBm | — | -28.0 | -27 |

¹ SL stands for standard limit value.

4.8.2 Wi-Fi RF Receiver (RX) Specifications

Table 24: RX Sensitivity

| Rate | Min (dBm) | Typ (dBm) | Max (dBm) |
|-------------------|-----------|-----------|-----------|
| 802.11b, 1 Mbps | — | -98.4 | — |
| 802.11b, 2 Mbps | — | -96.0 | — |
| 802.11b, 5.5 Mbps | — | -93.0 | — |
| 802.11b, 11 Mbps | — | -88.6 | — |
| 802.11g, 6 Mbps | — | -93.8 | — |
| 802.11g, 9 Mbps | — | -92.2 | — |
| 802.11g, 12 Mbps | — | -91.0 | — |
| 802.11g, 18 Mbps | — | -88.4 | — |
| 802.11g, 24 Mbps | — | -85.8 | — |
| 802.11g, 36 Mbps | — | -82.0 | — |

Cont'd on next page

Table 24 – cont'd from previous page

| Rate | Min (dBm) | Typ (dBm) | Max (dBm) |
|---------------------|-----------|-----------|-----------|
| 802.11g, 48 Mbps | — | -78.0 | — |
| 802.11g, 54 Mbps | — | -76.6 | — |
| 802.11n, HT20, MCS0 | — | -93.6 | — |
| 802.11n, HT20, MCS1 | — | -90.8 | — |
| 802.11n, HT20, MCS2 | — | -88.4 | — |
| 802.11n, HT20, MCS3 | — | -85.0 | — |
| 802.11n, HT20, MCS4 | — | -81.8 | — |
| 802.11n, HT20, MCS5 | — | -77.8 | — |
| 802.11n, HT20, MCS6 | — | -76.0 | — |
| 802.11n, HT20, MCS7 | — | -74.8 | — |
| 802.11n, HT40, MCS0 | — | -90.0 | — |
| 802.11n, HT40, MCS1 | — | -88.0 | — |
| 802.11n, HT40, MCS2 | — | -85.2 | — |
| 802.11n, HT40, MCS3 | — | -82.0 | — |
| 802.11n, HT40, MCS4 | — | -78.8 | — |
| 802.11n, HT40, MCS5 | — | -74.6 | — |
| 802.11n, HT40, MCS6 | — | -73.0 | — |
| 802.11n, HT40, MCS7 | — | -71.4 | — |

Table 25: Maximum RX Level

| Rate | Min (dBm) | Typ (dBm) | Max (dBm) |
|---------------------|-----------|-----------|-----------|
| 802.11b, 1 Mbps | — | 5 | — |
| 802.11b, 11 Mbps | — | 5 | — |
| 802.11g, 6 Mbps | — | 5 | — |
| 802.11g, 54 Mbps | — | 0 | — |
| 802.11n, HT20, MCS0 | — | 5 | — |
| 802.11n, HT20, MCS7 | — | 0 | — |
| 802.11n, HT40, MCS0 | — | 5 | — |
| 802.11n, HT40, MCS7 | — | 0 | — |

Table 26: RX Adjacent Channel Rejection

| Rate | Min (dB) | Typ (dB) | Max (dB) |
|---------------------|----------|----------|----------|
| 802.11b, 1 Mbps | — | 35 | — |
| 802.11b, 11 Mbps | — | 35 | — |
| 802.11g, 6 Mbps | — | 31 | — |
| 802.11g, 54 Mbps | — | 20 | — |
| 802.11n, HT20, MCS0 | — | 31 | — |

Cont'd on next page

Table 26 – cont'd from previous page

| Rate | Min (dB) | Typ (dB) | Max (dB) |
|---------------------|----------|----------|----------|
| 802.11n, HT20, MCS7 | — | 16 | — |
| 802.11n, HT40, MCS0 | — | 25 | — |
| 802.11n, HT40, MCS7 | — | 11 | — |

4.9 Bluetooth LE Radio

Table 27: Bluetooth LE Frequency

| Parameter | Min (MHz) | Typ (MHz) | Max (MHz) |
|---------------------------------------|-----------|-----------|-----------|
| Center frequency of operating channel | 2402 | — | 2480 |

4.9.1 Bluetooth LE RF Transmitter (TX) Specifications

Table 28: Transmitter Characteristics - Bluetooth LE 1 Mbps

| Parameter | Description | Min | Typ | Max | Unit |
|------------------------------------|--|--------|--------|-------|------|
| RF transmit power | RF power control range | -24.00 | 0 | 21.00 | dBm |
| | Gain control step | — | 3.00 | — | dB |
| Carrier frequency offset and drift | Max $ f_n _{n=0, 1, 2, \dots, k}$ | — | 17.00 | — | kHz |
| | Max $ f_0 - f_n $ | — | 1.75 | — | kHz |
| | Max $ f_n - f_{n-5} $ | — | 1.46 | — | kHz |
| | $ f_1 - f_0 $ | — | 0.80 | — | kHz |
| Modulation characteristics | Δf_{1avg} | — | 250.00 | — | kHz |
| | Min Δf_{2max} (for at least 99.9% of all Δf_{2max}) | — | 190.00 | — | kHz |
| | $\Delta f_{2avg}/\Delta f_{1avg}$ | — | 0.83 | — | — |
| In-band spurious emissions | ± 2 MHz offset | — | -37.62 | — | dBm |
| | ± 3 MHz offset | — | -41.95 | — | dBm |
| | $> \pm 3$ MHz offset | — | -44.48 | — | dBm |

Table 29: Transmitter Characteristics - Bluetooth LE 2 Mbps

| Parameter | Description | Min | Typ | Max | Unit |
|------------------------------------|-----------------------------------|--------|--------|-------|------|
| RF transmit power | RF power control range | -24.00 | 0 | 21.00 | dBm |
| | Gain control step | — | 3.00 | — | dB |
| Carrier frequency offset and drift | Max $ f_n _{n=0, 1, 2, \dots, k}$ | — | 20.80 | — | kHz |
| | Max $ f_0 - f_n $ | — | 1.30 | — | kHz |
| | Max $ f_n - f_{n-5} $ | — | 1.33 | — | kHz |
| | $ f_1 - f_0 $ | — | 0.70 | — | kHz |
| | Δf_{1avg} | — | 498.00 | — | kHz |

Modulation characteristics

Cont'd on next page

Table 29 – cont'd from previous page

| Parameter | Description | Min | Typ | Max | Unit |
|----------------------------|--|-----|--------|-----|------|
| | Min $\Delta f_{2_{max}}$ (for at least 99.9% of all $\Delta f_{2_{max}}$) | — | 430.00 | — | kHz |
| | $\Delta f_{2_{avg}}/\Delta f_{1_{avg}}$ | — | 0.93 | — | — |
| In-band spurious emissions | ± 4 MHz offset | — | -43.55 | — | dBm |
| | ± 5 MHz offset | — | -45.26 | — | dBm |
| | $> \pm 5$ MHz offset | — | -45.26 | — | dBm |

Table 30: Transmitter Characteristics - Bluetooth LE 125 Kbps

| Parameter | Description | Min | Typ | Max | Unit |
|------------------------------------|--|--------|--------|-------|------|
| RF transmit power | RF power control range | -24.00 | 0 | 21.00 | dBm |
| | Gain control step | — | 3.00 | — | dB |
| Carrier frequency offset and drift | Max $ f_n _{n=0, 1, 2, \dots, k}$ | — | 17.50 | — | kHz |
| | Max $ f_0 - f_n $ | — | 0.45 | — | kHz |
| | $ f_n - f_{n-3} $ | — | 0.70 | — | kHz |
| | $ f_0 - f_3 $ | — | 0.30 | — | kHz |
| Modulation characteristics | $\Delta f_{1_{avg}}$ | — | 250.00 | — | kHz |
| | Min $\Delta f_{1_{max}}$ (for at least 99.9% of all $\Delta f_{2_{max}}$) | — | 235.00 | — | kHz |
| In-band spurious emissions | ± 2 MHz offset | — | -37.90 | — | dBm |
| | ± 3 MHz offset | — | -41.00 | — | dBm |
| | $> \pm 3$ MHz offset | — | -42.50 | — | dBm |

Table 31: Transmitter Characteristics - Bluetooth LE 500 Kbps

| Parameter | Description | Min | Typ | Max | Unit |
|------------------------------------|--|--------|--------|-------|------|
| RF transmit power | RF power control range | -24.00 | 0 | 21.00 | dBm |
| | Gain control step | — | 3.00 | — | dB |
| Carrier frequency offset and drift | Max $ f_n _{n=0, 1, 2, \dots, k}$ | — | 17.00 | — | kHz |
| | Max $ f_0 - f_n $ | — | 0.88 | — | kHz |
| | $ f_n - f_{n-3} $ | — | 1.00 | — | kHz |
| | $ f_0 - f_3 $ | — | 0.20 | — | kHz |
| Modulation characteristics | $\Delta f_{2_{avg}}$ | — | 208.00 | — | kHz |
| | Min $\Delta f_{2_{max}}$ (for at least 99.9% of all $\Delta f_{2_{max}}$) | — | 190.00 | — | kHz |
| In-band spurious emissions | ± 2 MHz offset | — | -37.90 | — | dBm |
| | ± 3 MHz offset | — | -41.30 | — | dBm |
| | $> \pm 3$ MHz offset | — | -42.80 | — | dBm |

4.9.2 Bluetooth LE RF Receiver (RX) Specifications

Table 32: Receiver Characteristics - Bluetooth LE 1 Mbps

| Parameter | Description | Min | Typ | Max | Unit |
|-------------------------------------|---------------------------------|-----|-----|-----|------|
| Sensitivity @30.8% PER | — | — | -97 | — | dBm |
| Maximum received signal @30.8% PER | — | — | 5 | — | dBm |
| Co-channel C/I | — | — | 8 | — | dB |
| Adjacent channel selectivity C/I | $F = F_0 + 1 \text{ MHz}$ | — | -3 | — | dB |
| | $F = F_0 - 1 \text{ MHz}$ | — | -4 | — | dB |
| | $F = F_0 + 2 \text{ MHz}$ | — | -29 | — | dB |
| | $F = F_0 - 2 \text{ MHz}$ | — | -31 | — | dB |
| | $F = F_0 + 3 \text{ MHz}$ | — | -33 | — | dB |
| | $F = F_0 - 3 \text{ MHz}$ | — | -27 | — | dB |
| | $F \geq F_0 + 4 \text{ MHz}$ | — | -29 | — | dB |
| | $F \leq F_0 - 4 \text{ MHz}$ | — | -38 | — | dB |
| Image frequency | — | — | -29 | — | dB |
| Adjacent channel to image frequency | $F = F_{image} + 1 \text{ MHz}$ | — | -41 | — | dB |
| | $F = F_{image} - 1 \text{ MHz}$ | — | -33 | — | dB |
| Out-of-band blocking performance | 30 MHz ~ 2000 MHz | — | -5 | — | dBm |
| | 2003 MHz ~ 2399 MHz | — | -18 | — | dBm |
| | 2484 MHz ~ 2997 MHz | — | -15 | — | dBm |
| | 3000 MHz ~ 12.75 GHz | — | -5 | — | dBm |
| Intermodulation | — | — | -30 | — | dBm |

Table 33: Receiver Characteristics - Bluetooth LE 2 Mbps

| Parameter | Description | Min | Typ | Max | Unit |
|-------------------------------------|---------------------------------|-----|-----|-----|------|
| Sensitivity @30.8% PER | — | — | -93 | — | dBm |
| Maximum received signal @30.8% PER | — | — | 3 | — | dBm |
| Co-channel C/I | — | — | 10 | — | dB |
| Adjacent channel selectivity C/I | $F = F_0 + 2 \text{ MHz}$ | — | -7 | — | dB |
| | $F = F_0 - 2 \text{ MHz}$ | — | -7 | — | dB |
| | $F = F_0 + 4 \text{ MHz}$ | — | -28 | — | dB |
| | $F = F_0 - 4 \text{ MHz}$ | — | -26 | — | dB |
| | $F = F_0 + 6 \text{ MHz}$ | — | -26 | — | dB |
| | $F = F_0 - 6 \text{ MHz}$ | — | -27 | — | dB |
| | $F \geq F_0 + 8 \text{ MHz}$ | — | -29 | — | dB |
| | $F \leq F_0 - 8 \text{ MHz}$ | — | -28 | — | dB |
| Image frequency | — | — | -28 | — | dB |
| Adjacent channel to image frequency | $F = F_{image} + 2 \text{ MHz}$ | — | -26 | — | dB |
| | $F = F_{image} - 2 \text{ MHz}$ | — | -7 | — | dB |
| Out-of-band blocking performance | 30 MHz ~ 2000 MHz | — | -5 | — | dBm |
| | 2003 MHz ~ 2399 MHz | — | -19 | — | dBm |
| | 2484 MHz ~ 2997 MHz | — | -16 | — | dBm |
| | 3000 MHz ~ 12.75 GHz | — | -5 | — | dBm |
| Intermodulation | — | — | -29 | — | dBm |

Table 34: Receiver Characteristics - Bluetooth LE 125 Kbps

| Parameter | Description | Min | Typ | Max | Unit |
|-------------------------------------|---------------------------------|-----|------|-----|------|
| Sensitivity @30.8% PER | — | — | -105 | — | dBm |
| Maximum received signal @30.8% PER | — | — | 5 | — | dBm |
| Co-channel C/I | — | — | 3 | — | dB |
| Adjacent channel selectivity C/I | $F = F_0 + 1 \text{ MHz}$ | — | -6 | — | dB |
| | $F = F_0 - 1 \text{ MHz}$ | — | -6 | — | dB |
| | $F = F_0 + 2 \text{ MHz}$ | — | -33 | — | dB |
| | $F = F_0 - 2 \text{ MHz}$ | — | -43 | — | dB |
| | $F = F_0 + 3 \text{ MHz}$ | — | -37 | — | dB |
| | $F = F_0 - 3 \text{ MHz}$ | — | -47 | — | dB |
| | $F \geq F_0 + 4 \text{ MHz}$ | — | -40 | — | dB |
| | $F \leq F_0 - 4 \text{ MHz}$ | — | -50 | — | dB |
| Image frequency | — | — | -40 | — | dB |
| Adjacent channel to image frequency | $F = F_{image} + 1 \text{ MHz}$ | — | -50 | — | dB |
| | $F = F_{image} - 1 \text{ MHz}$ | — | -37 | — | dB |

Table 35: Receiver Characteristics - Bluetooth LE 500 Kbps

| Parameter | Description | Min | Typ | Max | Unit |
|-------------------------------------|---------------------------------|-----|------|-----|------|
| Sensitivity @30.8% PER | — | — | -100 | — | dBm |
| Maximum received signal @30.8% PER | — | — | 5 | — | dBm |
| Co-channel C/I | — | — | 3 | — | dB |
| Adjacent channel selectivity C/I | $F = F_0 + 1 \text{ MHz}$ | — | -2 | — | dB |
| | $F = F_0 - 1 \text{ MHz}$ | — | -3 | — | dB |
| | $F = F_0 + 2 \text{ MHz}$ | — | -32 | — | dB |
| | $F = F_0 - 2 \text{ MHz}$ | — | -33 | — | dB |
| | $F = F_0 + 3 \text{ MHz}$ | — | -23 | — | dB |
| | $F = F_0 - 3 \text{ MHz}$ | — | -40 | — | dB |
| | $F \geq F_0 + 4 \text{ MHz}$ | — | -34 | — | dB |
| | $F \leq F_0 - 4 \text{ MHz}$ | — | -44 | — | dB |
| Image frequency | — | — | -34 | — | dB |
| Adjacent channel to image frequency | $F = F_{image} + 1 \text{ MHz}$ | — | -46 | — | dB |
| | $F = F_{image} - 1 \text{ MHz}$ | — | -23 | — | dB |

5. Package Information

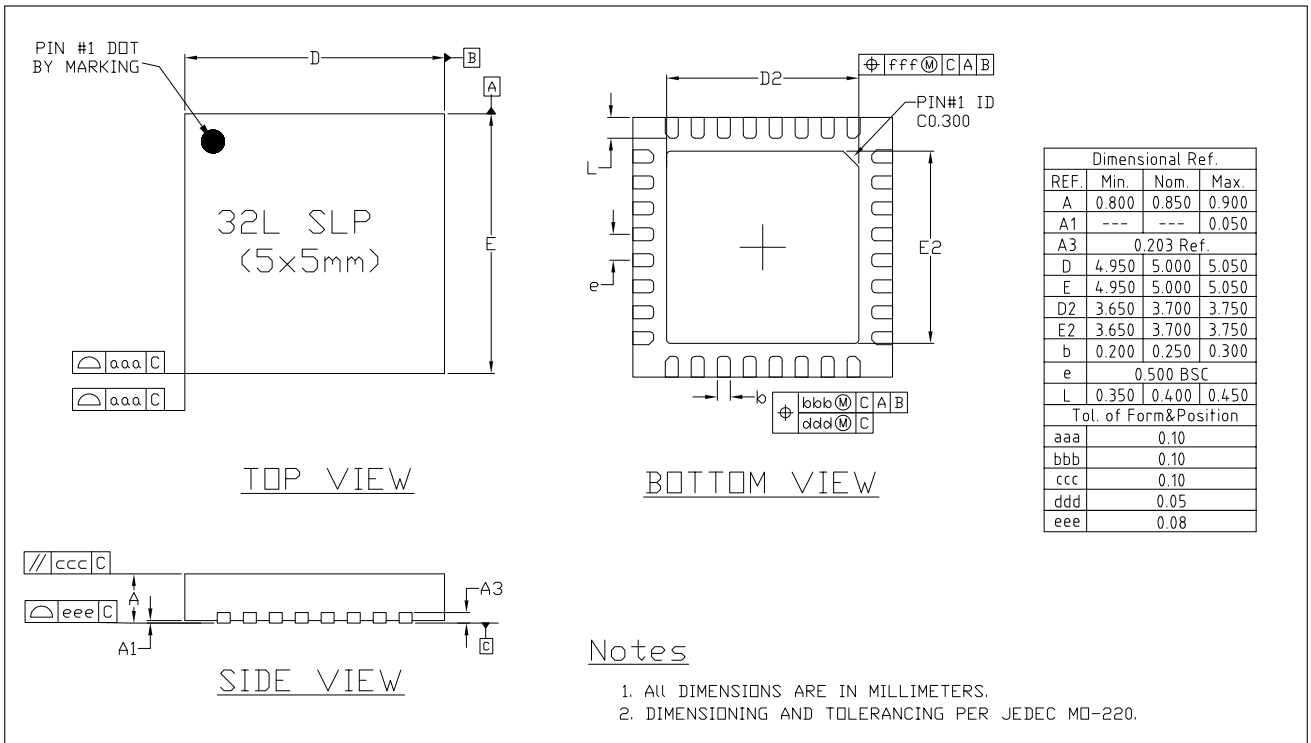


Figure 9: QFN32 (5x5 mm) Package

Note:

- The source file of [recommended PCB land pattern](#) is provided for your reference. You can view it with [Autodesk Viewer](#);
- For reference PCB layout, please refer to [ESP32-C3 Hardware Design Guidelines](#);
- For information about tape, reel, and product marking, please refer to [Espressif Chip Packaging Information](#).

6. Related Documentation and Resources

Related Documentation

- [ESP32-C3 Technical Reference Manual](#) – Detailed information on how to use the ESP32-C3 memory and peripherals.
- [ESP32-C3 Hardware Design Guidelines](#) – Guidelines on how to integrate the ESP32-C3 into your hardware product.
- [ESP32-C3 Series SoC Errata](#) – Descriptions of known errors in ESP32-C3 series of SoCs.
- *Certificates*
<https://espressif.com/en/support/documents/certificates>
- *ESP32-C3 Product/Process Change Notifications (PCN)*
<https://espressif.com/en/support/documents/pcns?keys=ESP32-C3>
- *ESP32-C3 Advisories* – Information on security, bugs, compatibility, component reliability.
<https://espressif.com/en/support/documents/advisories?keys=ESP32-C3>
- *Documentation Updates and Update Notification Subscription*
<https://espressif.com/en/support/download/documents>

Developer Zone

- [ESP-IDF Programming Guide for ESP32-C3](#) – Extensive documentation for the ESP-IDF development framework.
- *ESP-IDF* and other development frameworks on GitHub.
<https://github.com/espressif>
- *ESP32 BBS Forum* – Engineer-to-Engineer (E2E) Community for Espressif products where you can post questions, share knowledge, explore ideas, and help solve problems with fellow engineers.
<https://esp32.com/>
- *The ESP Journal* – Best Practices, Articles, and Notes from Espressif folks.
<https://blog.espressif.com/>
- See the tabs *SDKs and Demos, Apps, Tools, AT Firmware*.
<https://espressif.com/en/support/download/sdk-demos>

Products

- *ESP32-C3 Series SoCs* – Browse through all ESP32-C3 SoCs.
<https://espressif.com/en/products/socs?id=ESP32-C3>
- *ESP32-C3 Series Modules* – Browse through all ESP32-C3-based modules.
<https://espressif.com/en/products/modules?id=ESP32-C3>
- *ESP32-C3 Series DevKits* – Browse through all ESP32-C3-based devkits.
<https://espressif.com/en/products/devkits?id=ESP32-C3>
- *ESP Product Selector* – Find an Espressif hardware product suitable for your needs by comparing or applying filters.
<https://products.espressif.com/#/product-selector?language=en>

Contact Us

- See the tabs *Sales Questions, Technical Enquiries, Circuit Schematic & PCB Design Review, Get Samples* (Online stores), *Become Our Supplier, Comments & Suggestions*.
<https://espressif.com/en/contact-us/sales-questions>

Revision History

| Date | Version | Release Notes |
|------------|---------|---|
| 2022-12-15 | v1.4 | <ul style="list-style-type: none"> Deleted feature "Antenna diversity" from Section 3.6.1 Bluetooth LE Radio and PHY Deleted feature "Supports external power amplifier" Updated the glitch type of GPIO18 to high-level glitch in Table Power-Up Glitches on Pins |
| 2022-11-15 | v1.3 | <ul style="list-style-type: none"> Updated notes for Table Power-Up Glitches on Pins Added links to the Technical Reference Manual and Peripheral Pin Configurations in Chapter 3 Functional Description Added a note about ADC2 error in Section 3.3.1 Analog-to-Digital Converter (ADC) Updated Section 3.8.3 Watchdog Timers Added Table ADC Calibration Results Updated Section 4.6.2 Current Consumption in Other Modes Updated RF transmit power in Section 4.9 Bluetooth LE Radio Updated the typo in Section 5 Package Information Updated Chapter 6 Related Documentation and Resources |
| 2022-04-13 | v1.2 | <ul style="list-style-type: none"> Added a new chip variant ESP32-C3FH4AZ; Updated Figure Block Diagram of ESP32-C3; Added the wake up source for Deep-sleep mode in Section 3.7 Low Power Management. |
| 2021-10-26 | v1.1 | <ul style="list-style-type: none"> Updated Figure Block Diagram of ESP32-C3 to show power modes; Added CoreMark score in Features; Updated Table Pin Description to show default pin functions; Updated Figure ESP32-C3 Power Scheme and related descriptions; Added Table Mapping of SPI Signals and Chip Pins; Added note 3 to Table Recommended Operating Conditions; Other updates to wording. |

| Date | Version | Release Notes |
|------------|---------|---|
| 2021-05-28 | v1.0 | <ul style="list-style-type: none"> • Updated power modes; • Updated Section 2.4 Strapping Pins; • Updated some clock names and their frequencies in Section 3.2 System Clocks; • Added clarification about ADC1 and ADC2 in Section 3.3.1 Analog-to-Digital Converter (ADC); • Updated the default configuration of U0RXD and U0TXD after reset in Table IO MUX Pin Functions; • Updated sampling rate in Table ADC Characteristics; • Updated Table Reliability Qualifications; • Added the link to recommended PCB land pattern in Chapter 5 Package Information. |
| 2021-04-23 | v0.8 | Updated Wi-Fi Radio and Bluetooth LE Radio data. |
| 2021-04-07 | v0.7 | <ul style="list-style-type: none"> • Updated information about USB Serial/JTAG Controller; • Added GPIO2 to Section 2.4 Strapping Pins; • Updated Figure Address Mapping Structure; • Added Table IO MUX Pin Functions and Table Power-Up Glitches on Pins in Section 3.4.1 General Purpose Input / Output Interface (GPIO); • Updated information about SPI2 in Section 3.4.2 Serial Peripheral Interface (SPI); • Updated fixed-priority channel scheme in Section 3.4.8 General DMA Controller; • Updated Table Reliability Qualifications. |
| 2021-01-18 | v0.6 | <ul style="list-style-type: none"> • Clarified that of the 400 KB SRAM, 16 KB is configured as cache; • Updated maximum value to standard limit value in Table TX EVM Test in Section 4.8.1 Wi-Fi RF Transmitter (TX) Specifications. |

| Date | Version | Release Notes |
|------------|---------|---|
| 2021-01-13 | v0.5 | <ul style="list-style-type: none">• Updated information about Wi-Fi;• Added connection between embedded flash ports and chip pins to table notes in Section 2.2 Pin Description;• Updated Figure ESP32-C3 Power Scheme, added Figure ESP32-C3 Power-up and Reset Timing and Table Description of ESP32-C3 Power-up and Reset Timing Parameters in Section 2.3 Power Scheme;• Added Figure Setup and Hold Times for the Strapping Pins and Table Parameter Descriptions of Setup and Hold Times for the Strapping Pins in Section 2.4 Strapping Pins;• Updated Table Peripheral Pin Configurations in Section 3.11 Peripheral Pin Configurations;• Added Chapter 4 Electrical Characteristics;• Added Chapter 5 Package Information. |
| 2020-11-27 | v0.4 | Preliminary version. |



www.espressif.com

Disclaimer and Copyright Notice

Information in this document, including URL references, is subject to change without notice.

ALL THIRD PARTY'S INFORMATION IN THIS DOCUMENT IS PROVIDED AS IS WITH NO WARRANTIES TO ITS AUTHENTICITY AND ACCURACY.

NO WARRANTY IS PROVIDED TO THIS DOCUMENT FOR ITS MERCHANTABILITY, NON-INFRINGEMENT, FITNESS FOR ANY PARTICULAR PURPOSE, NOR DOES ANY WARRANTY OTHERWISE ARISING OUT OF ANY PROPOSAL, SPECIFICATION OR SAMPLE.

All liability, including liability for infringement of any proprietary rights, relating to use of information in this document is disclaimed. No licenses express or implied, by estoppel or otherwise, to any intellectual property rights are granted herein.

The Wi-Fi Alliance Member logo is a trademark of the Wi-Fi Alliance. The Bluetooth logo is a registered trademark of Bluetooth SIG.

All trade names, trademarks and registered trademarks mentioned in this document are property of their respective owners, and are hereby acknowledged.

Copyright © 2023 Espressif Systems (Shanghai) Co., Ltd. All rights reserved.