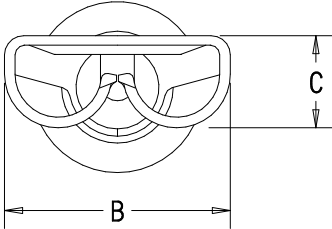


| Part number | | Wire range AWG (mm ²) | Tab size | Housing color | Max. Wire Insul. Dia. | Dimensions (in.) | | |
|-------------|-----------------|-----------------------------------------|----------------------------|---------------|-----------------------|------------------------------------------------------------|------------------------------------------------------------|------------------------------------------------------------|
| Prefix | PK | | | | | A $\begin{smallmatrix} \pm.015 \\ (0.4) \end{smallmatrix}$ | B $\begin{smallmatrix} \pm.010 \\ (0.3) \end{smallmatrix}$ | C $\begin{smallmatrix} \pm.010 \\ (0.3) \end{smallmatrix}$ |
| DV18-187B | -C -M -MY | 22-18 (.5-1.5) | .187 X .032 (4.8 X 0.8) | Red | .150 (3.81) | .75 (19.1) | .23 (5.8) | .10 (2.5) |
| * DV14-187B | -C -M | 16-14 (1.5-2.5) | .187 X .032 (4.8 X 0.8) | Blue | .170 (4.32) | .75 (19.1) | .23 (5.8) | .10 (2.5) |
| DV18-188B | -C -M -MY | 22-18 (.5-1.5) | .187 X .020 (4.8 X 0.5) | Red | .150 (3.81) | .76 (19.3) | .23 (5.8) | .10 (2.5) |
| * DV14-188B | -C -M | 16-14 (1.5-2.5) | .187 X .020 (4.8 X 0.5) | Blue | .162 (4.11) | .79 (20.1) | .23 (5.8) | .10 (2.5) |



Notes:

1. Used for:

- A. Stranded copper wire only
- B. 221°F (105°C) maximum temperature rating
- C. 600V maximum voltage rating

2. Package quantity:

- A. Standard: -C = 100
- B. Bulk : -M = 1000, -MY = 1000

3. Material:

- A. Stamping: .016 (0.41) thick tin plated brass
- B. Housing : Vinyl

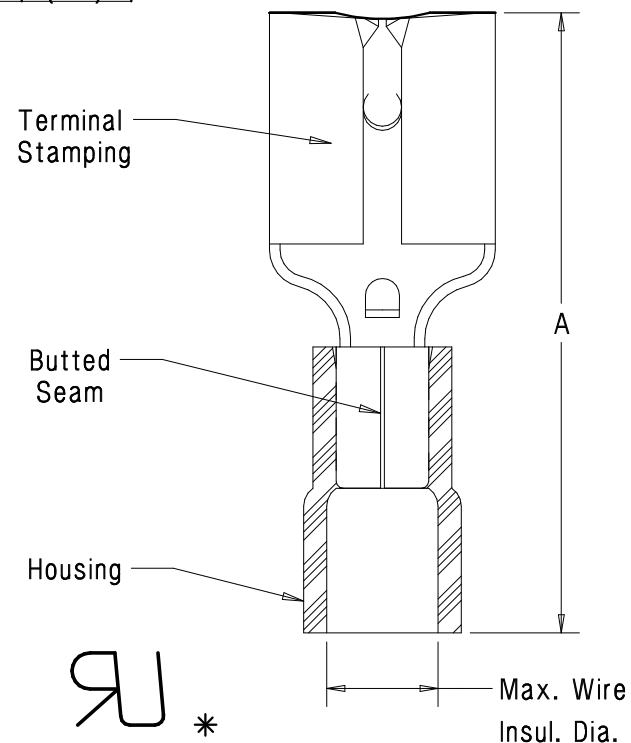
4. Wire strip length: $\frac{1}{4} \begin{smallmatrix} +1/32 \\ -0 \end{smallmatrix} \begin{smallmatrix} +0.8 \\ -0 \end{smallmatrix}$ (6.3)

5. Initial insertion force :12 LB (53N) maximum
Initial withdrawal force: 12 LB (53N) maximum
6 LB (27N) minimum

6. Installation tool: CT-520, CT-1525

- A. U.L. Listed & CSA Certified
- B. U.L. Recognized

7. Dimensions in brackets are in millimeters or mm²



LISTED
20H3
E78522



CERTIFIED
LR31212



RECOGNIZED
E78522

A41554_05

| | | | | | | | | | |
|-----|-------|------|-----|-----------------------------------------------------------------------------------------------------------------------|---------|-----|------|----------------------------------------------------------------------------------------------------------|-------------------|
| 05 | 12/06 | DAW | DAW | DV18-188B .150 MAX. WIRE INSUL. DIA. WAS .136, .76 "A" LGTH. WAS .79. REMOVED CUTOFF TAB FROM DISCONNECT ILLUSTRATION | TR00190 | TRO | LA | <p>TINLEY PARK, ILLINOIS</p> <p>Vinyl insulated barrel female disconnect butted seam (.187 tab size)</p> | |
| 04 | 6/06 | DAW | DAW | REMOVED MAX. AMPERAGE NOTE | TR00134 | TRO | LA | | |
| 03 | 5/05 | JHNU | LA | ADDED PACKAGING CODE "MY" TO DRAWING. | 012743 | TRO | LA | | |
| 02 | 5/98 | TM | JW | ADDED CT-1525 TO TOOL NOTE | 06872 | TK | LA | | |
| REV | DATE | BY | CHK | DESCRIPTION | ECN | PM | CUST | | |
| | | | | | ECN | PM | CUST | CAD FILE A41554_05 | DRAWING NO A41554 |