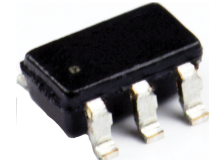


Low Power MEMS Jitter Attenuator

ABMJB-902 Part Number & Configuration Guide



2.9 x 2.8 x 1.45 mm SOT23-6L

Moisture Sensitivity Level: MSL=1

OPTIONS AND PART IDENTIFICATION:

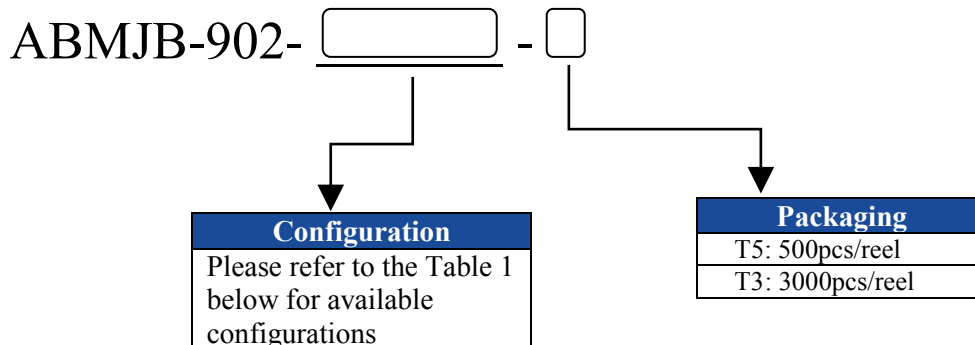


Table 1. Available Part Numbers and Configurations

Abracon P/N	Input Freq. (MHz)	CLK0		CLK1		Optional Pin (CLK2)		Power Supply (V)
		Freq. (MHz)	Drive Strength	Freq. (MHz)	Drive Strength	Freq. (MHz)	Drive Strength	
ABMJB-902-104USY	148.5	148.5	High (16mA)	Disable		Disable		3.3
ABMJB-902-151USY	50	50	Low (4mA)	Disable		Disable		3.3
ABMJB-902-153USY	25	25	Std (8mA)	25	Std (8mA)	25	Std (8mA)	3.3
ABMJB-902-154USY	40	40	Std (8mA)	OE		Disable		3.3
ABMJB-902-155USY	25	25	Std (8mA)	Disable		Disable		3.3
ABMJB-902-156USY	25	25	Std (8mA)	PDB		25	Low (4mA)	3.3
ABMJB-902-Q42USY	10/10	10/5	High (16mA)	PDB		CSEL		3.3
ABMJB-902-Q57USY	40	40	Std (8mA)	40	Std (8mA)	20	Std (8mA)	3.3
ABMJB-902-Q74USY	74.25	74.25	Std (8mA)	74.25	Std (8mA)	74.25	Std (8mA)	3.3
ABMJB-902-Q76USY	1.536	6.144	Std (8mA)	OE		1.536	Std (8mA)	3.3
ABMJB-902-Q78USY	1.536	8.192	Low (4mA)	OE		2.048	Low (4mA)	3.3
ABMJB-902-Q82USY	74.25/74.25	74.25/27	Std (8mA)	74.25/27	Std (8mA)	CSEL		3.3

Notes: Please contact Abracon for other configurations.

Low Power MEMS Jitter Attenuator

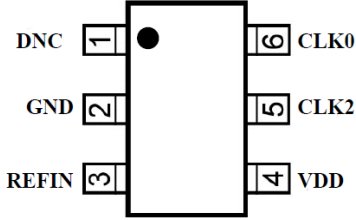
ABMJB-902 Part Number & Configuration Guide



2.9 x 2.8 x 1.45 mm SOT23-6L

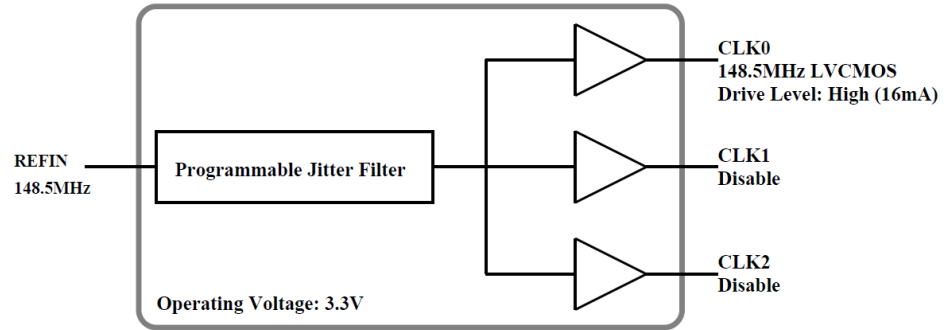
PIN DESCRIPTION AND BLOCK DIAGRAM

ABMJB-902-104USY:

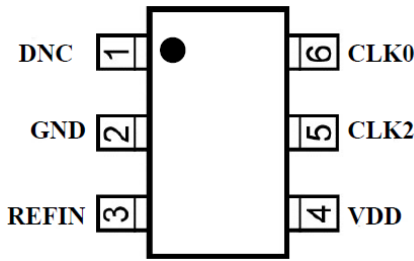


SOT23-6L package

Pin No.	Pin Name	Pin Type	Pin Level	Function
1	DNC			Do not connect
2	GND	GND		Power supply ground
3	REF_IN	I, (SE)	LVC MOS	Reference clock input
4	VDD	PWR		Power supply 3.3V
5	CLK2	O		CLK2 output
6	CLK0	O	LVC MOS	CLK0 output

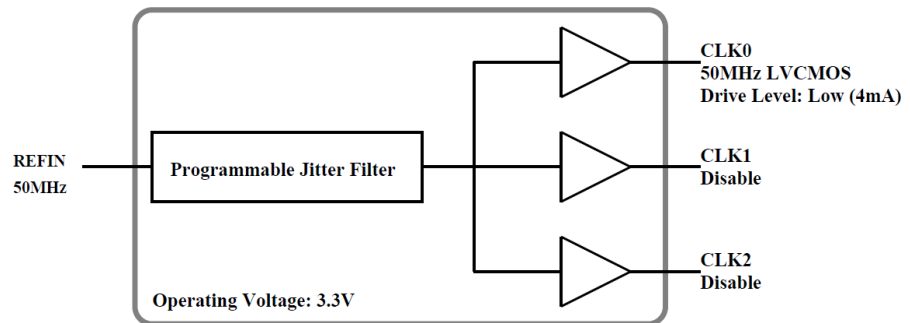


ABMJB-902-151USY:



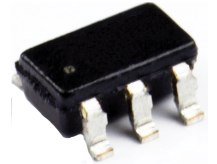
SOT23-6L package

Pin No.	Pin Name	Pin Type	Pin Level	Function
1	DNC			Do not connect
2	GND	GND		Power supply ground
3	REF_IN	I, (SE)	LVC MOS	Reference clock input
4	VDD	PWR		Power supply 3.3V
5	CLK2	O		CLK2 output
6	CLK0	O	LVC MOS	CLK0 output



Low Power MEMS Jitter Attenuator

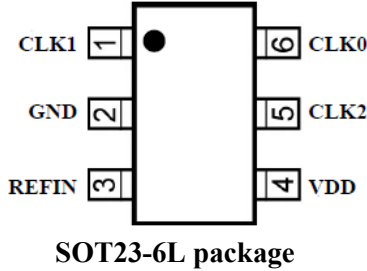
ABMJB-902 Part Number & Configuration Guide



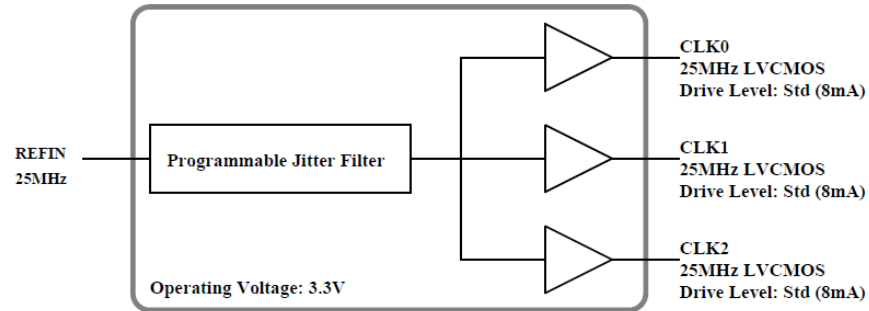
2.9 x 2.8 x 1.45 mm SOT23-6L

PIN DESCRIPTION AND BLOCK DIAGRAM

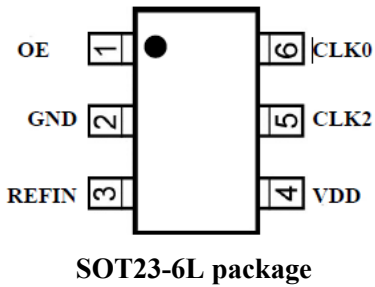
ABMJB-902-153USY:



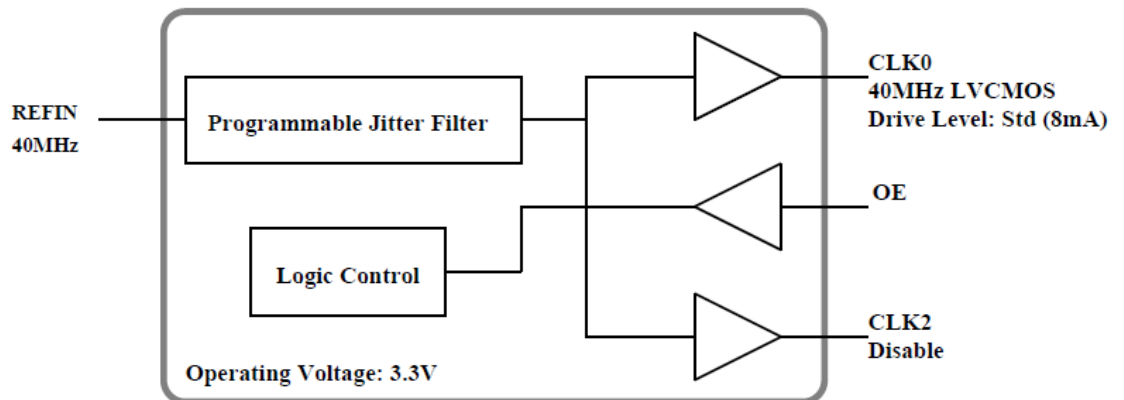
Pin No.	Pin Name	Pin Type	Pin Level	Function
1	CLK1	O	LVC MOS	CLK1 output
2	GND	GND		Power supply ground
3	REF_IN	I, (SE)	LVC MOS	Reference clock input
4	VDD	PWR		Power supply 3.3V
5	CLK2	O	LVC MOS	CLK2 output
6	CLK0	O	LVC MOS	CLK0 output



ABMJB-902-154USY:

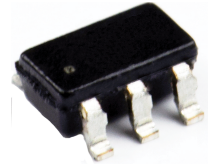


Pin No.	Pin Name	Pin Type	Pin Level	Function
1	OE	I	LVC MOS	Output enable control input with pull-up
2	GND	GND		Power supply ground
3	REF_IN	I, (SE)	LVC MOS	Reference clock input
4	VDD	PWR		Power supply 3.3V
5	CLK2	O	LVC MOS	CLK2 output
6	CLK0	O	LVC MOS	CLK0 output



Low Power MEMS Jitter Attenuator

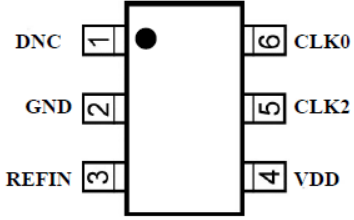
ABMJB-902 Part Number & Configuration Guide



2.9 x 2.8 x 1.45 mm SOT23-6L

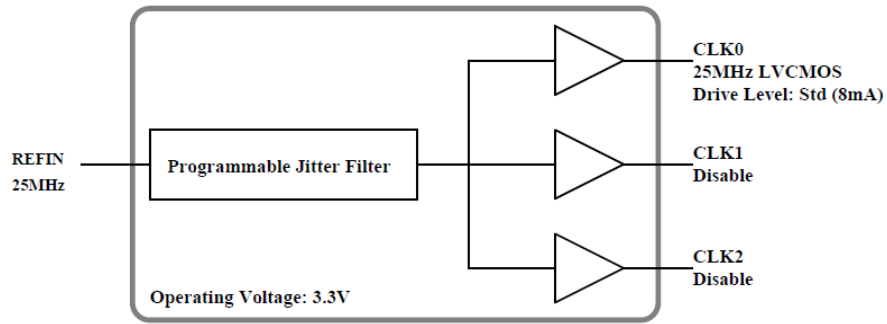
PIN DESCRIPTION AND BLOCK DIAGRAM

ABMJB-902-155USY:

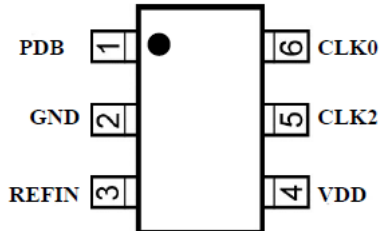


SOT23-6L package

Pin No.	Pin Name	Pin Type	Pin Level	Function
1	DNC			Do not connect
2	GND	GND		Power supply ground
3	REF_IN	I, (SE)	LVC MOS	Reference clock input
4	VDD	PWR		Power supply 3.3V
5	CLK2	O		CLK2 output
6	CLK0	O	LVC MOS	CLK0 output

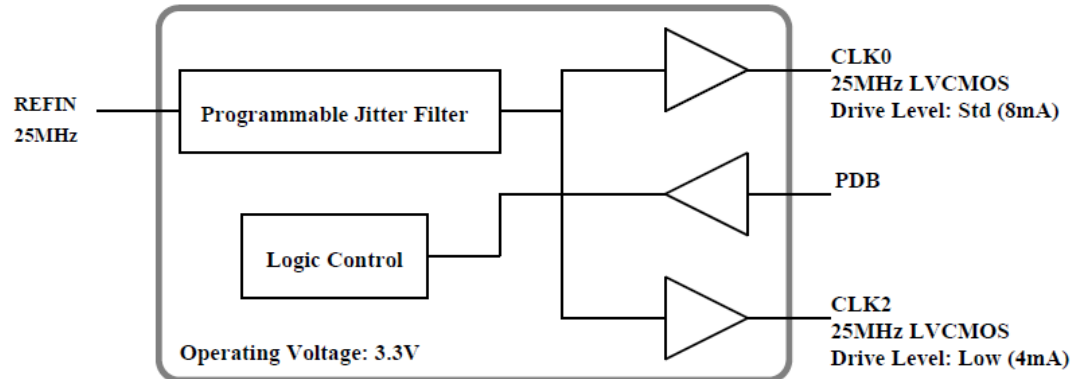


ABMJB-902-156USY:



SOT23-6L package

Pin No.	Pin Name	Pin Type	Pin Level	Function
1	PDB	I	LVC MOS	Power down
2	GND	GND		Power supply ground
3	REF_IN	I, (SE)	LVC MOS	Reference clock input
4	VDD	PWR		Power supply 3.3V
5	CLK2	O	LVC MOS	CLK2 output
6	CLK0	O	LVC MOS	CLK0 output

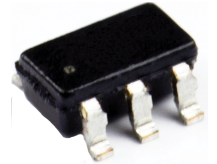


Low Power MEMS Jitter Attenuator

ABMJB-902 Part Number & Configuration Guide



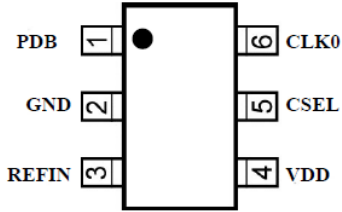
Pb RoHS/RoHS II Compliant



2.9 x 2.8 x 1.45 mm SOT23-6L

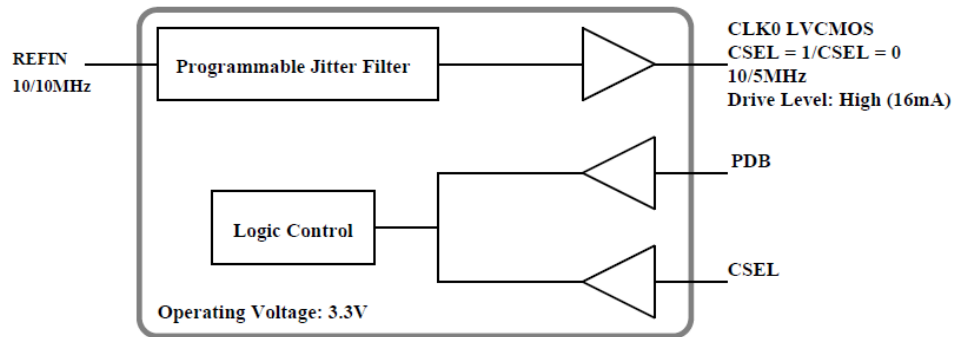
PIN DESCRIPTION AND BLOCK DIAGRAM

ABMJB-902-Q42USY:

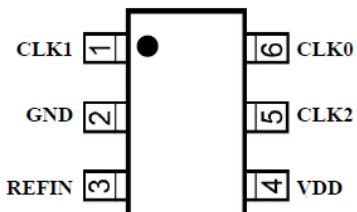


SOT23-6L package

Pin No.	Pin Name	Pin Type	Pin Level	Function
1	PDB	I	LVC MOS	Power down
2	GND	GND		Power supply ground
3	REF_IN	I, (SE)	LVC MOS	Reference clock input
4	VDD	PWR		Power supply 3.3V
5	CSEL	I	LVC MOS	Configuration select control input with pull-up
6	CLK0	O	LVC MOS	CLK0 output

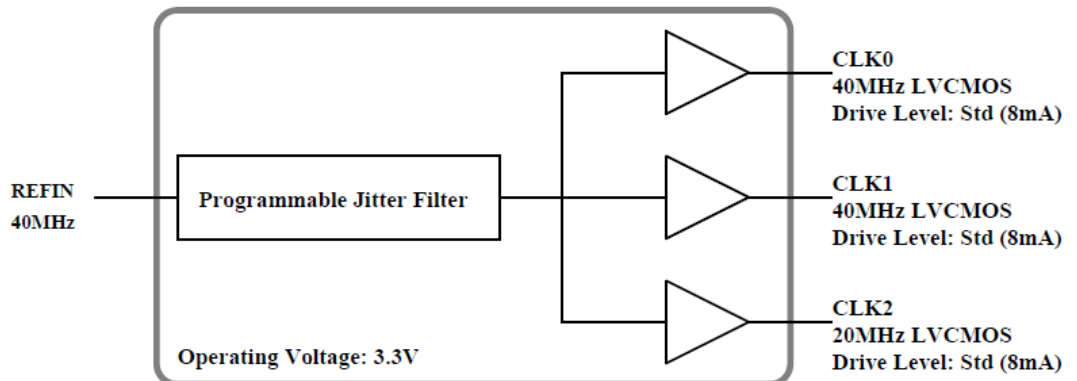


ABMJB-902-Q57USY



SOT23-6L package

Pin No.	Pin Name	Pin Type	Pin Level	Function
1	CLK1	O	LVC MOS	CLK1 output
2	GND	GND		Power supply ground
3	REF_IN	I, (SE)	LVC MOS	Reference clock input
4	VDD	PWR		Power supply 3.3V
5	CLK2	O	LVC MOS	CLK2 output
6	CLK0	O	LVC MOS	CLK0 output



Low Power MEMS Jitter Attenuator

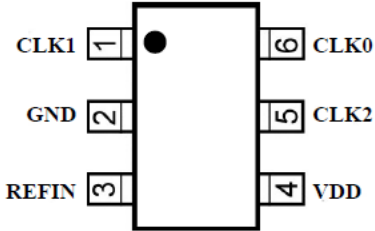
ABMJB-902 Part Number & Configuration Guide



2.9 x 2.8 x 1.45 mm SOT23-6L

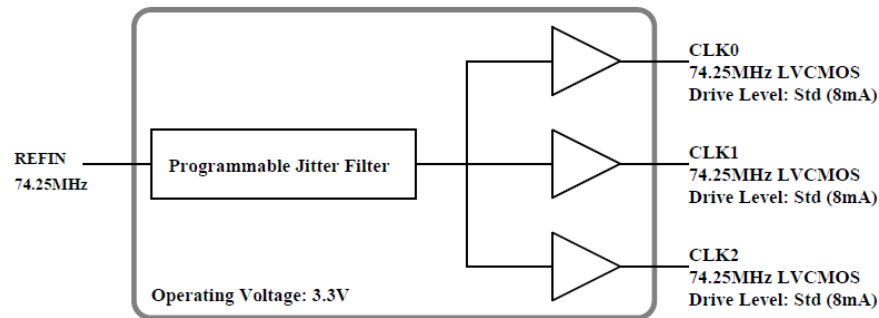
PIN DESCRIPTION AND BLOCK DIAGRAM

ABMJB-902-Q74USY:

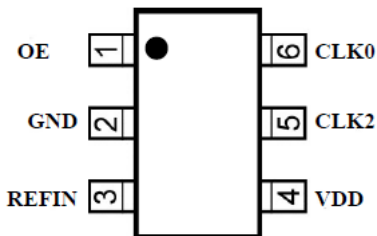


SOT23-6L package

Pin No.	Pin Name	Pin Type	Pin Level	Function
1	CLK1	O	LVC MOS	CLK1 output
2	GND	GND		Power supply ground
3	REF_IN	I, (SE)	LVC MOS	Reference clock input
4	VDD	PWR		Power supply 3.3V
5	CLK2	O	LVC MOS	CLK2 output
6	CLK0	O	LVC MOS	CLK0 output

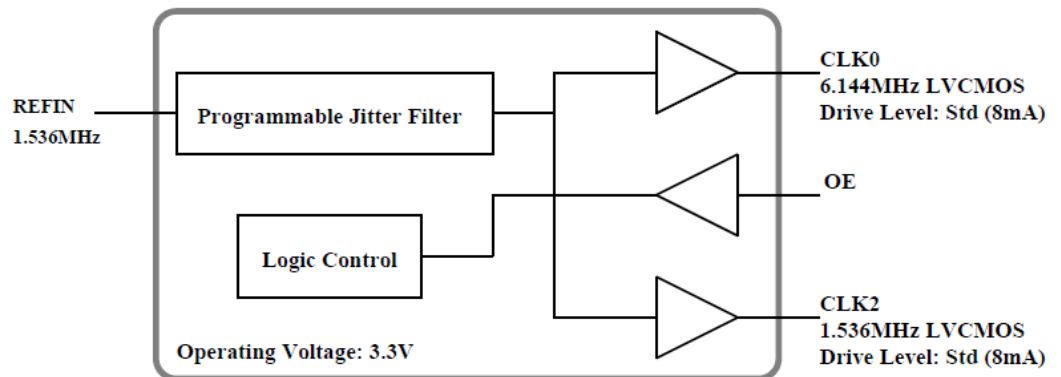


ABMJB-902-Q76USY:



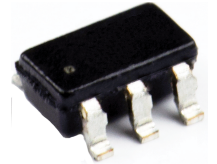
SOT23-6L package

Pin No.	Pin Name	Pin Type	Pin Level	Function
1	OE	I	LVC MOS	Output enable control input with pull-up
2	GND	GND		Power supply ground
3	REF_IN	I, (SE)	LVC MOS	Reference clock input
4	VDD	PWR		Power supply 3.3V
5	CLK2	O	LVC MOS	CLK2 output
6	CLK0	O	LVC MOS	CLK0 output



Low Power MEMS Jitter Attenuator

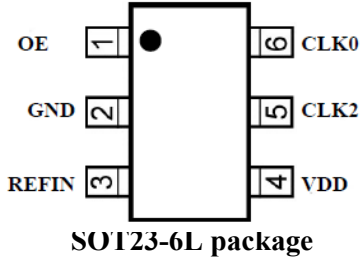
ABMJB-902 Part Number & Configuration Guide



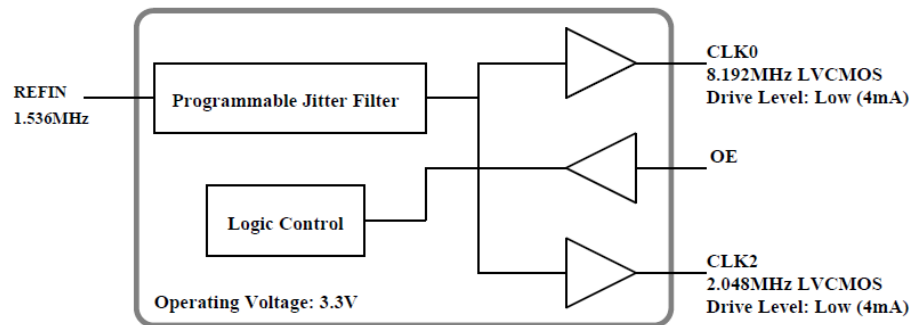
2.9 x 2.8 x 1.45 mm SOT23-6L

PIN DESCRIPTION AND BLOCK DIAGRAM

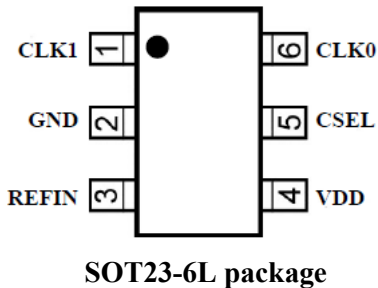
ABMJB-902-Q78USY:



Pin No.	Pin Name	Pin Type	Pin Level	Function
1	OE	I	LVCMOS	Output enable control input with pull-up
2	GND	GND		Power supply ground
3	REF_IN	I, (SE)	LVCMOS	Reference clock input
4	VDD	PWR		Power supply 3.3V
5	CLK2	O	LVCMOS	CLK2 output
6	CLK0	O	LVCMOS	CLK0 output



ABMJB-902-Q82USY:



Pin No.	Pin Name	Pin Type	Pin Level	Function
1	CLK1	O	LVCMOS	CLK1 output
2	GND	GND		Power supply ground
3	REF_IN	I, (SE)	LVCMOS	Reference clock input
4	VDD	PWR		Power supply 3.3V
5	CSEL	I	LVCMOS	Configuration select control input with pull-up
6	CLK0	O	LVCMOS	CLK0 output

