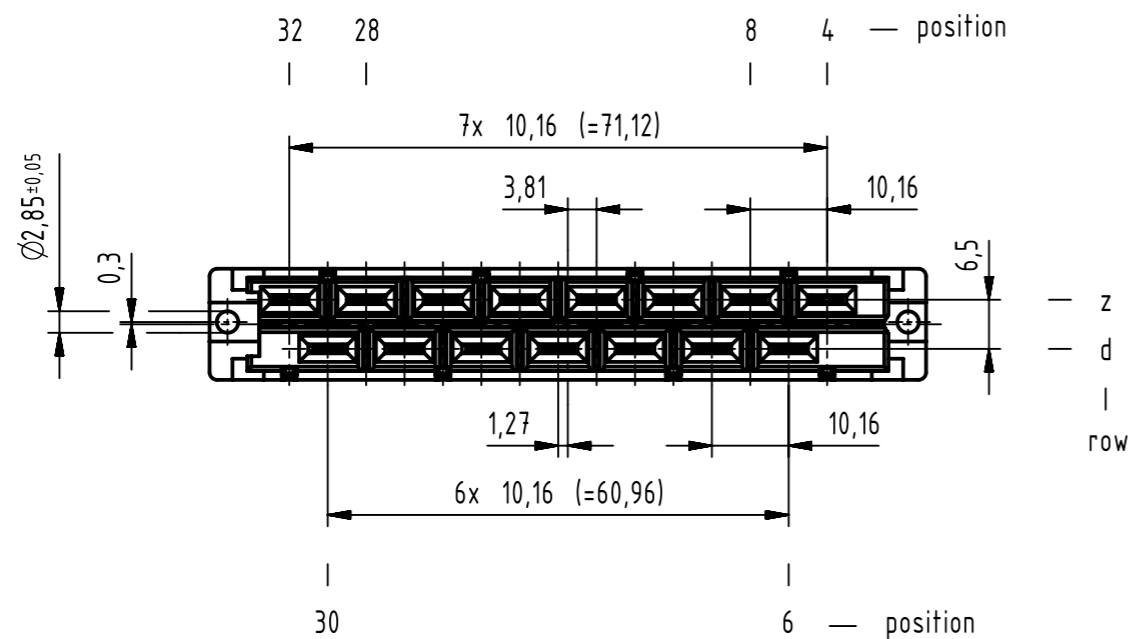
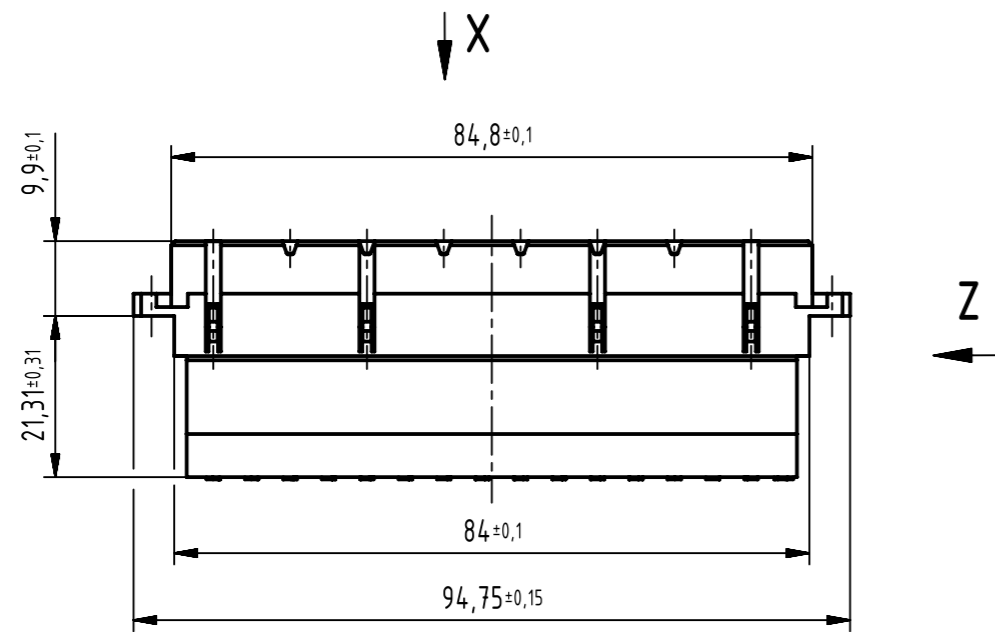


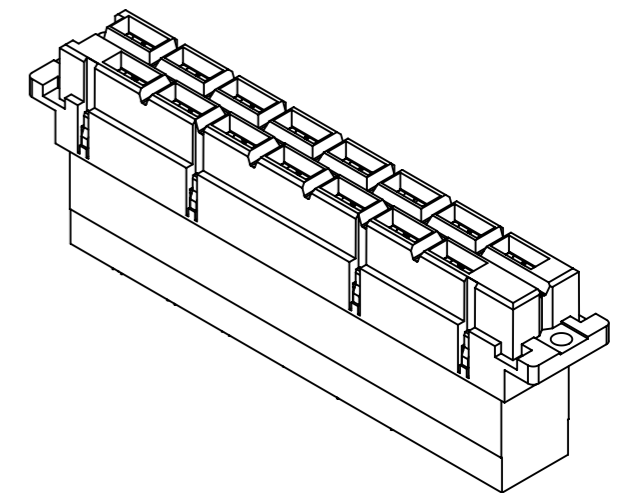
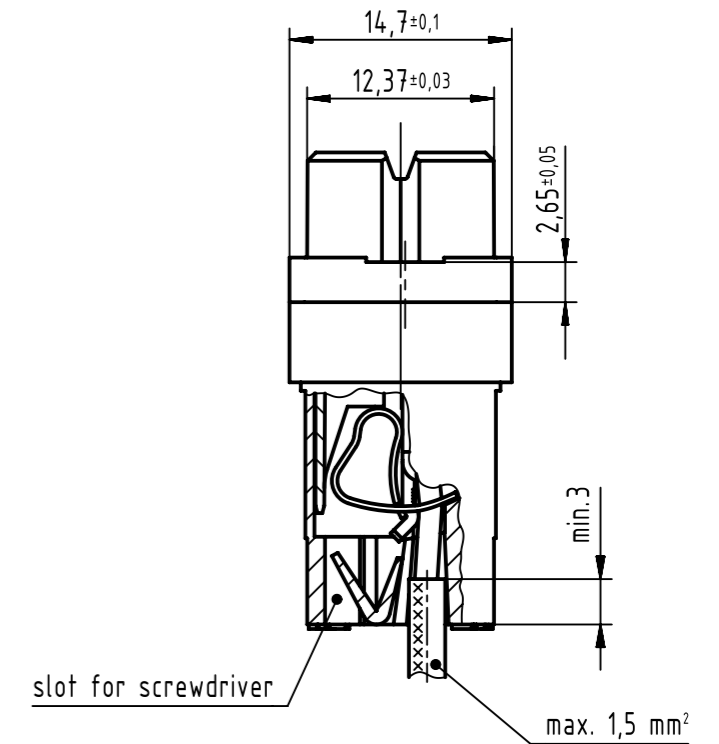
15 contacts

⊗ = position with contact

□ = position without contact



Z (2:1)



stripping length: 4-7 mm
wire gauge: 0,14-1,5 mm²

further information see: DS 09 06 210 07 01

	All rights reserved Department EC PD - DE	Created by ZWAHR	Inspected by TADJE	Standardisation HOFFMANN	Date 2014-09-10	State Final Release	Ref. Sub. TB 09 06 015 2813 / 36526 / 06.06.12
	HARTING Electronics GmbH D-32339 Espelkamp	Title type H15 female connector with cage clamp			Doc-Key / ECM-Nr. 100105857/UGD/003/B 50000079379		Rev. B
		Type TB	Number 09060152813		Page 1/1		