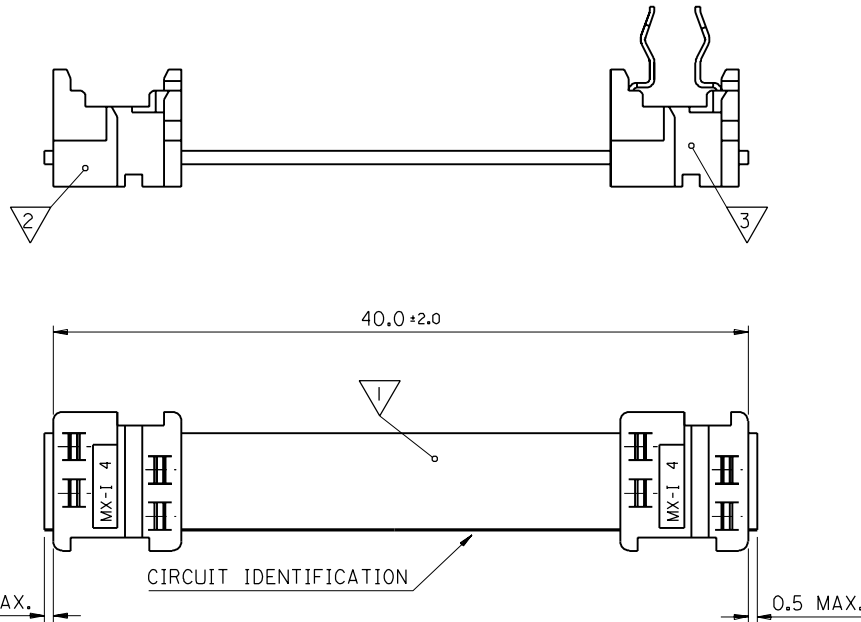


PART NO. 92301-0236
 DWG. NO. SD-92301-438



BILL OF MATERIALS

ITEM	COMPONENT	DESCRIPTION	QTY	NOTE
1	99026-0024	4CKT 28 AWG STRANDED TINNED RIBBON CABLE	1	4, 5
2	90327-0304	PICOFLEX FEMALE IDT CONNECTOR	1	1, 2, 5
3	90584-1304	BOARD-IN IDT CONNECTOR	1	1, 3, 5

NOTES:

- SEE PRODUCT SPECIFICATIONS PS-99020-0011.
- SEE TERMINATION SPECIFICATION ES-99033-0001.
- SEE TERMINATION SPECIFICATION ES-99033-0002.
- SEE CABLE SPECIFICATION ES-99027-0006.
- HARNESSES WILL BE 100% ELECTRICALLY TESTED FOR SHORTS AND DISCONTINUITIES.

ORIGINAL RELEASE EC NO. 2001-0722 DRWN: BENRICH 01/01/02 CHK: / / / / APPR: / / / / A	QUALITY SYMBOLS MAJOR = CRITICAL = C =	GENERAL TOLERANCES: (UNLESS SPECIFIED) mm INCH 4 PLACES ±0. ±. 3 PLACES ±0. ±. 2 PLACES ±0. ±. 1 PLACE ±0. ±. ANGULAR: ± 1/2°	SCALE 4 : 1 DESIGN UNITS <input checked="" type="checkbox"/> mm <input type="checkbox"/> INCH	DRAWN BY & DATE BENRICH 01/01/02 CHECKED BY & DATE DRYAN 01/01/02 APPROVED BY & DATE MWILHITE 01/01/02	DIMENSIONS: <input type="checkbox"/> mm <input type="checkbox"/> INCH <input checked="" type="checkbox"/> mm ONLY <input type="checkbox"/> INCH <input type="checkbox"/> mm	THIRD ANGLE PROJECTION 	SHT REV REVISE ON CAD ONLY
	TITLE: 4CKT PICOFLEX ASSY.		MATERIAL NO. 92301-0236 DRAWING NO. SD-92301-438		SHEET NO. 1 OF 1 SIZE B		
	DRAFT WHERE APPLICABLE MUST REMAIN WITHIN DIMENSIONS		THIS DRAWING CONTAINS INFORMATION THAT IS PROPRIETARY TO MOLEX INCORPORATED AND SHOULD NOT BE USED WITHOUT WRITTEN PERMISSION.				
	CAD FILENAME		MOLEX INCORPORATED				