



# PRODUCT NEWS

Product under development

## Single 3W type

### ■Product outline

This is an LED module which uses high output 3W-type LED. It provides adequate light even with a single lamp, enabling it to be used for a variety of lighting applications.

### ■Feature

- High color rendering: Ra96
- High luminous flux 90lm/3W at 5000K  
70lm/3W at 3300K
- Wide variations: Color Temp.: 5000K and 3300K,  
Lens: 25° or 45° in each color
- No soldering required, constant voltage and constant current circuit can be designed due to connected with socket board harness.  
(semi-custom made)



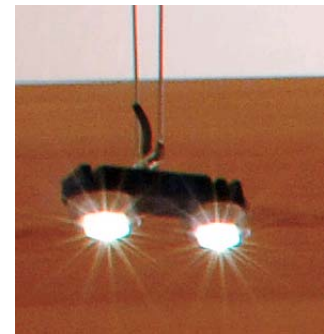
### ■Applications

- Spotlight
- Reading light, Picture light, Pendant light

### 【Product lineup】

Part number	LED color	Angle	Watts	CRI	Lumen	Dimensions
SIN3121N	White 5000K	25°	3W (21V-150mA)	Ra:96	90lm	Φ 34.8 × H20
SIN3141N		45°				
SIW3121N	Warm White 3300K	25°				
SIW3141N		45°				

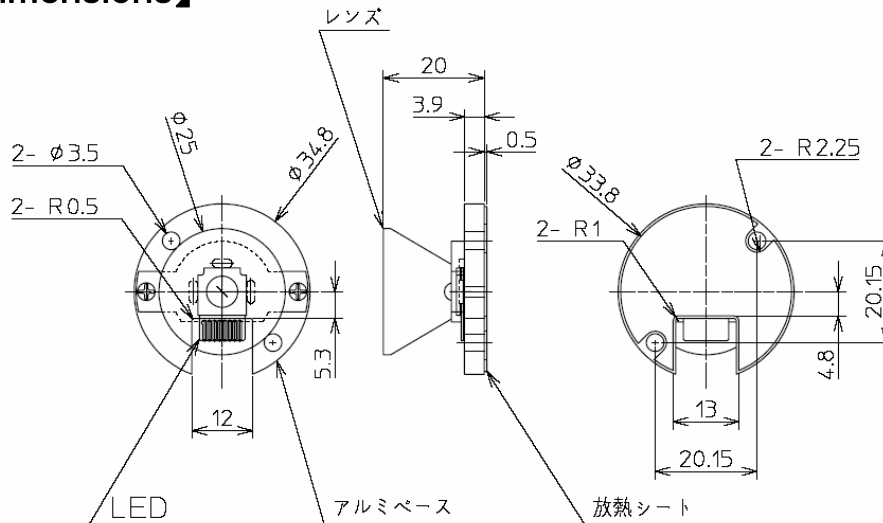
### 【Applied products】



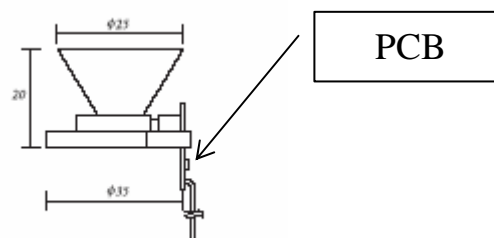
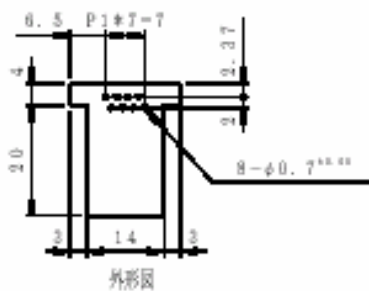
## 【Absolute maximum ratings】

Items	Absolute maximum ratings
Forward current	150mA
Reverse voltage	30V
Operating Temp.	-30°C~+80°C
Storage Temp.	-40°C~+85°C

## 【Outer dimensions】



## Attached Standard PCB dimensions



Mounting PCB by dedicated socket

Dedicated socket with harness PC-board

Constant voltage or constant current drive is possible as semi- custom design

**Note: This product is not including heat-dissipation fins.  
You must use suitable heat-dissipation fins for this product.**