

FEATURES

- ▶ Low-cost, high-performance replacement for many OEM DPMs
- ▶ Optional RED, GREEN, AMBER or POS GREEN backlit LCD
- ▶ Snap-in bezel mount eliminates mounting hardware
- ▶ Resistant to RF and EMI
- ▶ 3½ digits with high-contrast LCD
- ▶ 4-20 mA loop powered input
- ▶ User-selectable, displayed engineering units

SPECIFICATIONS

DISPLAY

Digits: 3 ½ digits (±1999 counts)
 Type: 0.45" (11.4 mm) 7 segment LCD
 Backlighting: Optional Red Negative (red numbers/black background)
 Optional Green Negative (green numbers/black background)
 Optional Amber Negative (amber numbers/black background)
 Optional Green Positive (black numbers/green background)
 Polarity: automatic, "-" displayed
 Annunciators: °F, °C, PSI, % , user selectable
 Decimal Points: 3 position, user selectable
 Overrange: three lower order digits blank for inputs >1999 & < -1999

INPUTS

Ranges: 4-20 mA DC
 Configuration: bipolar differential
 Impedance: 300Ω nominal

PERFORMANCE

Accuracy: ±(0.1% fs + 2 count)
 Conversion Rate: 3 per second
 Normal Mode Rejection: >30 dB @ 60 Hz
 Common Mode Range: ±1 VDC max
 Common Mode Rej.: >86 dB
 Adjustments: span (gain) and zero (offset)
 Warmup: 10 minutes typical
 Temperature Coeff.: ± 100 ppm per °C typical

ENVIRONMENT

Operating Range: 0 to 50 °C
 Storage Range: -10 to 70 °C

POWER SUPPLY

Optional Backlight: powered by the milliamp control loop
 24 VDC at 35 mA typical

MOUNTING

snap-in bezel mount or clamp and gasket

CONNECTION

2 screw terminal (4 with backlight)

ORDERING INFO

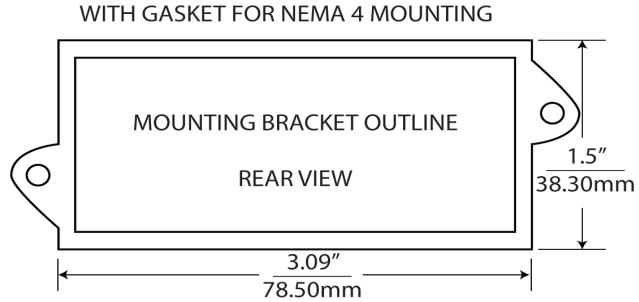
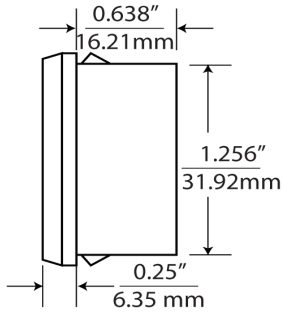
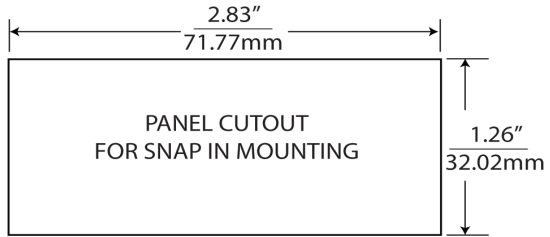
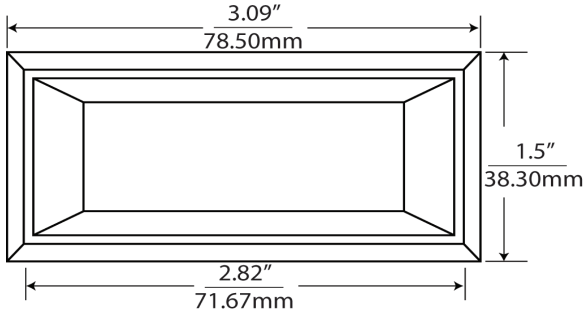
PART NUMBER	BACKLIGHT COLOR	BACKLIGHT POWER
DK191-XEC	NO BACKLIGHT	NONE
DK192-XEC	NEG AMBER	24VDC
DK194-XEC	NEG RED	24VDC
DK193-XEC	NEG GREEN	24VDC
DK195-XEC	POS GREEN	24VDC

ACCESSORIES

PW2-24	Regulated 120V AC to 24V DC Power Supply
PW1.0	24V AC to adjustable DC output
PW1.5	24V AC to adjustable DC output
CVC	Calibrator

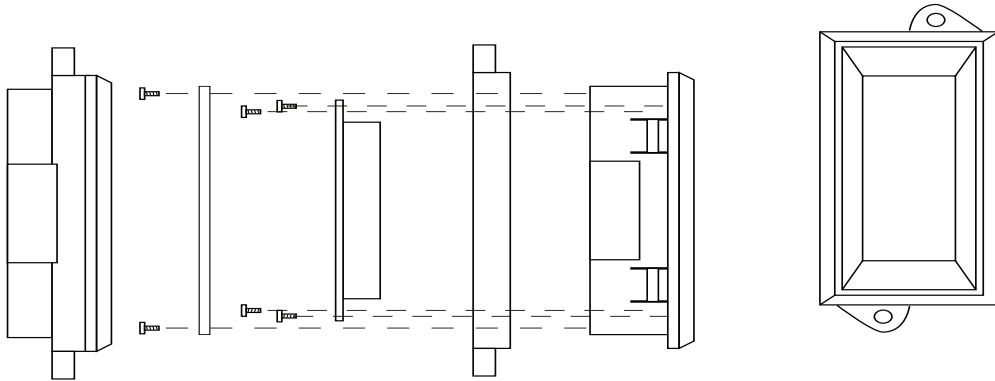


DIMENSIONS



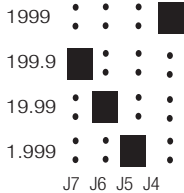
inches
mm

NOTES:
 1. Panel thickness is: 0.032"/0.81mm to 0.25"/6.35mm
 2. Gasket supplied is: 0.09"/2.25mm thick



WIRING

1. DECIMAL SELECTION:

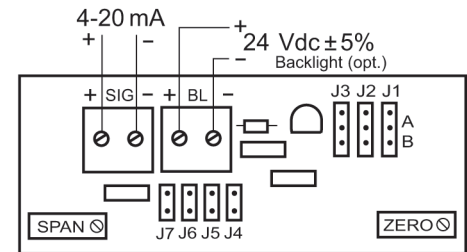
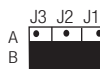


2. J1, J2, J3 SELECTION:

IF: OFFSET (ZERO) IS 0 or
 OFFSET (ZERO) > 0 and GAIN (SPAN) ÷ OFFSET (ZERO) ≥ 5



IF: OFFSET (ZERO) > 0 and GAIN (SPAN) ÷ OFFSET (ZERO) < 5



WIRING

