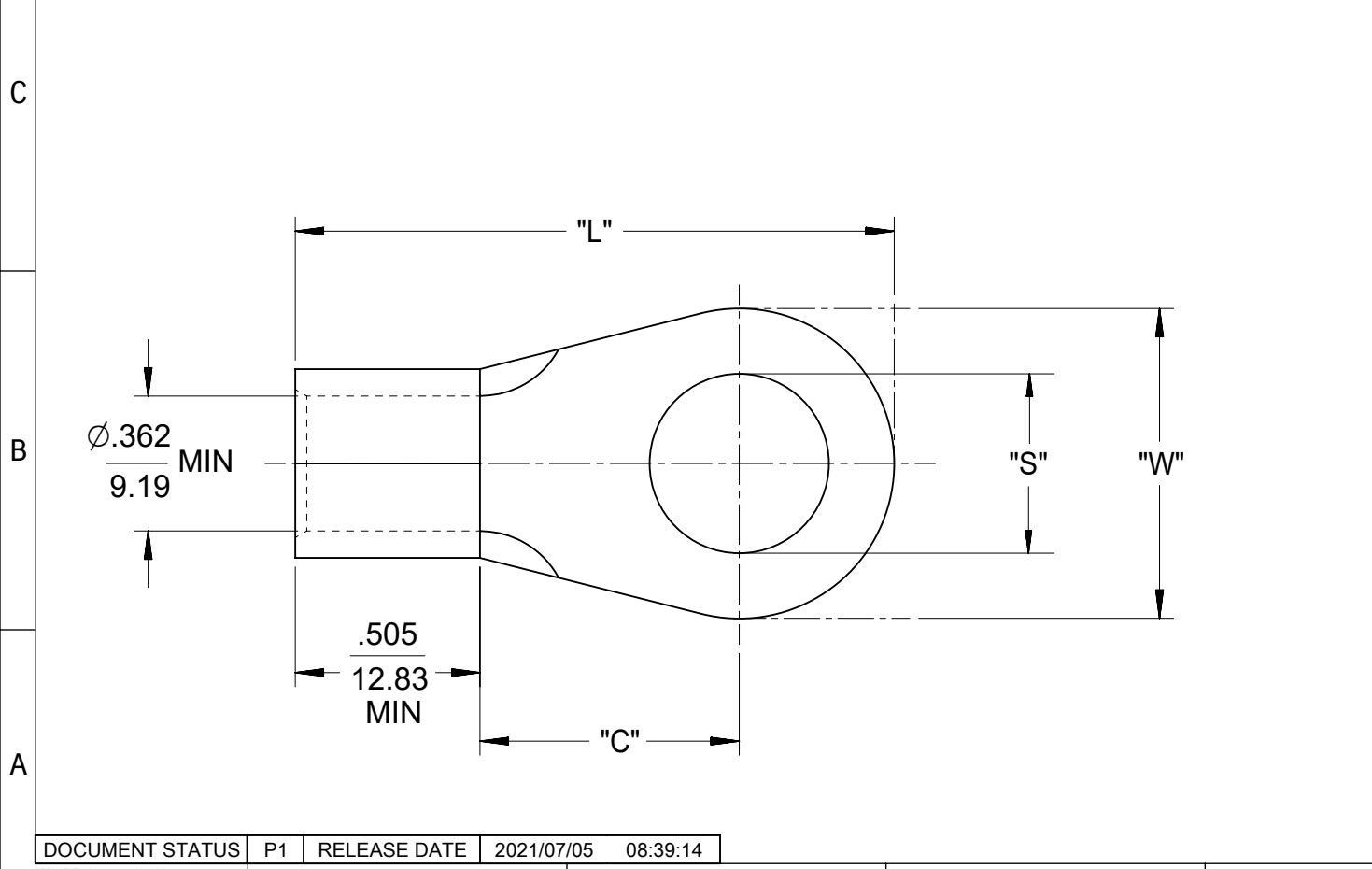
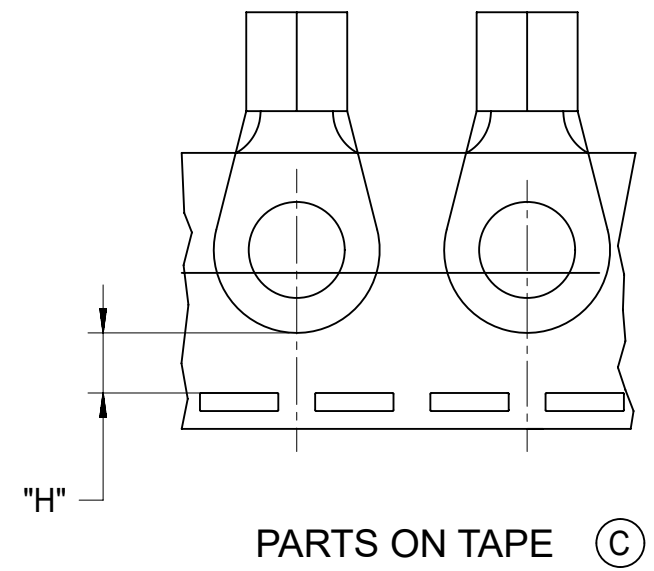


10	9	8	7	6	5	4	3	2	1
MATERIAL NO. LOOSE PIECE	ENGINEERING P/N LOOSE	MATERIAL NO. TAPE MOUNTED	ENGINEERING P/N TAPED	STUD SIZE	"S" ±.005/0.13	"W" MAX.	"C" MIN.	"L" MAX.	"H" ±.02 / 0.5
191930303	G-375-10	191930958	G-375-10T	10	.198/5.03	.645/16.38	.703/17.86	1.583/40.21	.43/10.9
191930305	G-375-14	191930959	G-375-14T	1/4"	.265/6.73	.645/16.38	.703/17.86	1.583/40.21	.43/10.9
191930309	G-375-56	191930960	G-375-56T	5/16"	.328/8.33	.645/16.38	.703/17.86	1.583/40.21	.43/10.9
191930307	G-375-38	191930961	G-375-38T	3/8"	.390/9.91	.645/16.38	.703/17.86	1.583/40.21	.43/10.9
191930297	G-374-14	-	-	1/4"	.453/11.51	.879/22.33	.703/17.86	1.700/43.18	-
191930299	G-374-56	-	-	5/16"	.265/6.73	.879/22.33	.703/17.86	1.700/43.18	-
191930298	G-374-38	-	-	3/8"	.328/8.33	.879/22.33	.703/17.86	1.700/43.18	-
191930302	G-374-76	191930991	G-374-76T	7/16"	.390/9.91	.879/22.33	.703/17.86	1.700/43.18	.31/7.9
191930296	G-374-12	191930962	G-374-12T	1/2"	.515/13.08	.879/22.33	.703/17.86	1.700/43.18	.31/7.9
191930301	G-374-58	191930963	G-374-58T	5/8"	.653/16.59 (C)	.879/22.33	.703/17.86	1.700/43.18	.31/7.9
191930313	G-376-14	-	-	1/4"	.265/6.73	.895/22.73	.990/25.15	1.995/50.67	-
191930315	G-376-56	-	-	5/16"	.328/8.33	.895/22.73	.990/25.15	1.995/50.67	-
191930314	G-376-38	-	-	3/8"	.390/9.91	.895/22.73	.990/25.15	1.995/50.67	-
191930312	G-376-12	-	-	1/2"	.515/13.08	.895/22.73	.990/25.15	1.995/50.67	-
191930319	G-377-14	-	-	1/4"	.265/6.73	1.270/32.26	.990/25.15	2.183/55.45	-
191930322	G-377-56	-	-	5/16"	.328/8.33	1.270/32.26	.990/25.15	2.183/55.45	-
191930321	G-377-38	-	-	3/8"	.390/9.91	1.270/32.26	.990/25.15	2.183/55.45	-
191930324	G-377-76	-	-	7/16"	.453/11.51	1.270/32.26	.990/25.15	2.183/55.45	-
191930318	G-377-12	-	-	1/2"	.515/13.08	1.270/32.26	.990/25.15	2.183/55.45	-
191930611	G-377-58	-	-	5/8"	.656/16.66	1.270/32.26	.990/25.15	2.183/55.45	-
191930320	G-377-34	-	-	3/4"	.781/19.84	1.270/32.26	.990/25.15	2.183/55.45	-



- NOTES:
1. MATERIAL: MATTE-TIN PLATED COPPER
 2. WIRE SIZE: 2 AWG/ 26.6-42.4 mm²
 3. PARTS ARE ROHS COMPLIANT.

SALES DRAWING

REDRAWN FROM SD-19193-007, -028, -029, -030
DRAWN BY DLM 07/2003

THIS DRAWING CONTAINS INFORMATION THAT IS PROPRIETARY TO MOLEX ELECTRONIC TECHNOLOGIES, LLC AND SHOULD NOT BE USED WITHOUT WRITTEN PERMISSION											
DIMENSION UNITS INCH/MM		SCALE NTS		CURRENT REV DESC: OBSOLETE PART NUMBERS AS PER PCN#508521						molex	
GENERAL TOLERANCES (UNLESS SPECIFIED)				EC NO: 667388		DRWN: SKANDB 2021/04/16		CHK'D: GGA 2021/07/05			
4 PLACES ±		3 PLACES ±		2 PLACES ±		1 PLACE ±		0 PLACES ±		INITIAL REVISION:	
MM		INCH		± 0.005		± 0.13		± 0.01		± 0.25	
± 0.01		± 0.02		± 0.05		± 0.10		± 0.15		DRWN: ETHRODAHL 2011/05/05	
± 0.20		± 0.30		± 0.40		± 0.50		± 0.60		APPR: JMACNEIL 2011/06/03	
± 0.70		± 0.80		± 0.90		± 1.00		± 1.10		DOCUMENT NUMBER	
± 1.20		± 1.30		± 1.40		± 1.50		± 1.60		SD-19193-038	
± 1.70		± 1.80		± 1.90		± 2.00		± 2.10		DOC TYPE DOC PART REVISION	
± 2.20		± 2.30		± 2.40		± 2.50		± 2.60		PSD 001 D	
± 2.70		± 2.80		± 2.90		± 3.00		± 3.10		MATERIAL NUMBER CUSTOMER SHEET NUMBER	
± 3.20		± 3.30		± 3.40		± 3.50		± 3.60		SEE TABLE GENERAL MARKET 1 OF 1	