

CTLQ1210CF Series

From 1.0 μ H to 560 μ H



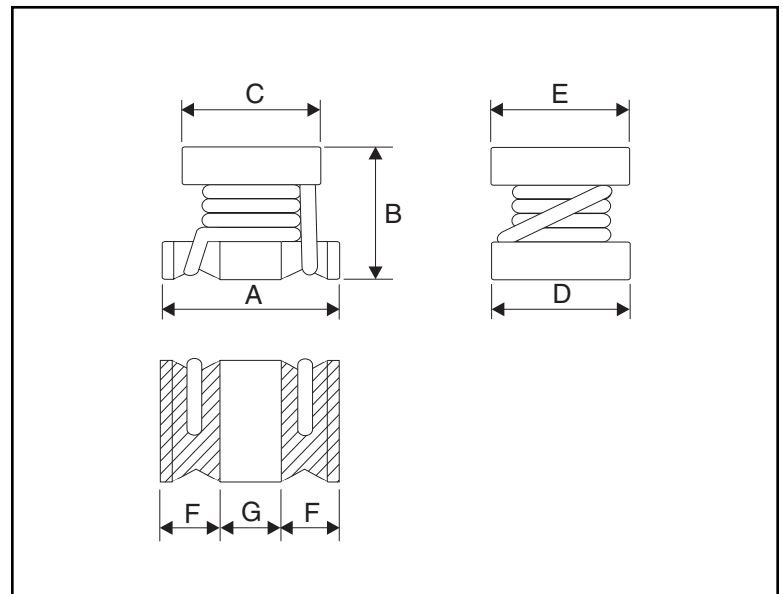
SPECIFICATIONS

Part numbers indicate available tolerance.
K = $\pm 10\%$, M = $\pm 20\%$

| Part Number | Inductance (μ H) | L Test Freq. (_Hz) | DCR Max. (Ω) | SRF Min. (MHz) | Rated DC Max. (mA) |
|-----------------|-----------------------|--------------------|-----------------------|----------------|--------------------|
| CTLQ1210CF-1R0M | 1.0 | 1M | 0.12 | 96 | 800 |
| CTLQ1210CF-2R2M | 2.2 | 1M | 0.18 | 64 | 600 |
| CTLQ1210CF-4R7M | 4.7 | 1M | 0.28 | 43 | 450 |
| CTLQ1210CF-100K | 10 | 1M | 0.60 | 26 | 300 |
| CTLQ1210CF-220K | 22 | 1M | 0.95 | 19 | 250 |
| CTLQ1210CF-470K | 47 | 1M | 1.80 | 15 | 170 |
| CTLQ1210CF-101K | 100 | 1M | 5.00 | 10 | 100 |
| CTLQ1210CF-221K | 220 | 1M | 12 | 6.8 | 70 |
| CTLQ1210CF-331K | 330 | 1M | 14 | 5.6 | 60 |
| CTLQ1210CF-391K | 390 | 1M | 23 | 5.0 | 60 |
| CTLQ1210CF-471K | 470 | 1K | 26 | 5.0 | 60 |
| CTLQ1210CF-561K | 560 | 1K | 30 | 5.0 | 60 |

PHYSICAL DIMENSIONS

| Size | A | B | C | D | E | F | G |
|--------|-----------------|------------------|------------------|------------------|------------------|------|------|
| | | | | | | Min. | Min. |
| mm | 3.2 \pm 0.3 | 2.0 \pm 0.2 | 2.5 \pm 0.2 | 2.5 \pm 0.2 | 2.5 \pm 0.2 | 0.7 | 0.7 |
| inches | 0.13 \pm 0.01 | 0.08 \pm 0.008 | 0.10 \pm 0.008 | 0.10 \pm 0.008 | 0.10 \pm 0.008 | 0.03 | 0.03 |



CHARACTERISTICS

Description: SMD wire-wound chip inductors

Applications: Power supplies for OA equipment, LCD televisions, PC notebooks, portable communication equipment, DC/DC converters, etc.

Operating Temperature: -40°C to +85°C

Inductance Tolerance: K = $\pm 10\%$ & M = $\pm 20\%$

Packaging: Tape & Reel

Miscellaneous: **RoHS Compliant**

Testing: Tested on an HP4285A @ specified frequency

Pads: Soft copper and pre-tinned

Additional Information: Additional electrical & physical information available upon request

Samples available. See website for ordering information