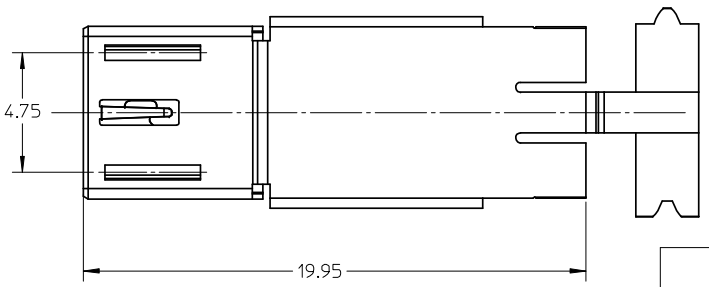
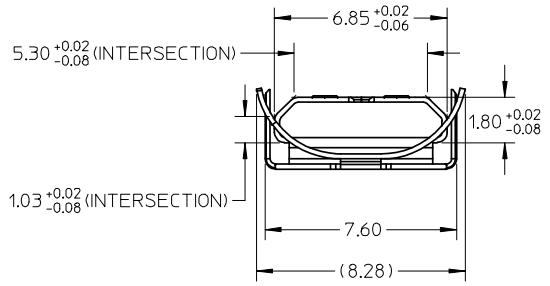
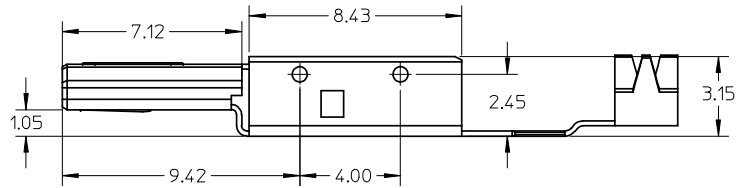
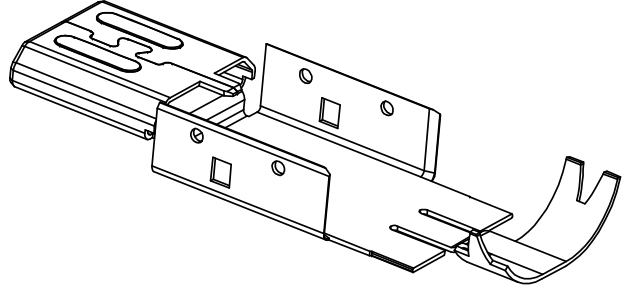
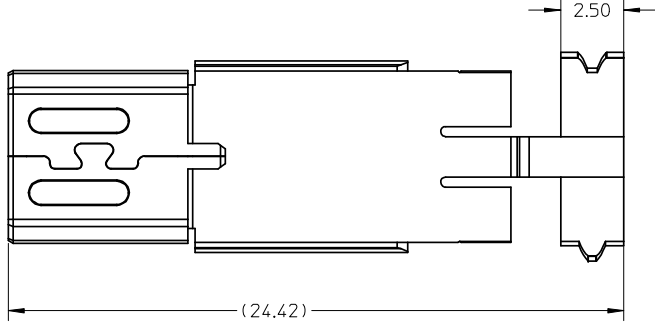


10 9 8 7 6 5 4 3 2 1



NOTES:
 1. MATERIAL: STAINLESS STEEL
 2. FINISH: CLEANING

RELEASED EC NO: SHZ008-0513 DRWN: YWANG91 CHKD: YLZHU APPR: HWANG	2008/04/17 2008/04/17 2008/04/22	DESCRIPTION A	QUALITY SYMBOLS	GENERAL TOLERANCES (UNLESS SPECIFIED)	DIMENSION STYLE	SCALE	DESIGN UNITS	THIRD ANGLE PROJECTION		
			$\nabla = 0$ $\nabla C = 0$	mm INCH 4 PLACES ± --- ± --- 3 PLACES ± --- ± --- 2 PLACES ± 0.10 ± --- 1 PLACE ± --- ± --- ANGULAR ± 2 °	MM ONLY	5:1	METRIC	DRAWN BY: YWANG DATE: 2008/01/23 CHECKED BY: YLZHU DATE: 2008/01/23 APPROVED BY: HWANG DATE: 2008/01/23	TITLE	SHELL MICRO USB PLUG B TYPE
			DRAFT WHERE APPLICABLE MUST REMAIN WITHIN DIMENSIONS	MATERIAL NO.	DOCUMENT NO.	SHEET NO.	MOLEX INCORPORATED SD-47516-003 1 OF 1			
			SIZE A3	475160013	SD-47516-003	1 OF 1				

9 8 7 6 5 4 3 2 1