

## 10GHz GBW, 1.1nV/ $\sqrt{\text{Hz}}$ Differential Amplifier/ADC Driver

### FEATURES

- 10GHz Gain-Bandwidth Product
- 88dB SFDR at 100MHz, 2V<sub>P-P</sub>
- 1.1nV/ $\sqrt{\text{Hz}}$  Input Noise Density
- Input Range Includes Ground
- External Resistors Set Gain (Min 1V/V)
- 3300V/ $\mu\text{s}$  Differential Slew Rate
- 52mA Supply Current
- 2.7V to 5.25V Supply Voltage Range
- Fully Differential Input and Output
- Adjustable Output Common Mode Voltage
- Low Power Shutdown
- Small 10-Lead 3mm  $\times$  2mm  $\times$  0.75mm QFN Package

### APPLICATIONS

- Differential Pipeline ADC Driver
- High Speed Data-Acquisition Cards
- Automated Test Equipment
- Time Domain Reflectometry
- Communications Receivers

### DESCRIPTION

The LTC<sup>®</sup>6409 is a very high speed, low distortion, differential amplifier. Its input common mode range includes ground, so that a ground-referenced input signal can be DC-coupled, level-shifted, and converted to drive an ADC differentially.

The gain and feedback resistors are external, so that the exact gain and frequency response can be tailored to each application. For example, the amplifier could be externally compensated in a no-overshoot configuration, which is desired in certain time-domain applications.

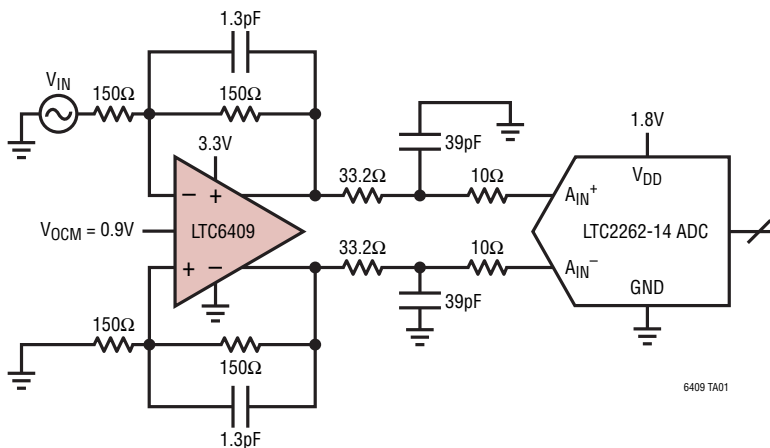
The LTC6409 is stable in a differential gain of 1. This allows for a low output noise in applications where gain is not desired. It draws 52mA of supply current and has a hardware shutdown feature which reduces current consumption to 100 $\mu\text{A}$ .

The LTC6409 is available in a compact 3mm  $\times$  2mm 10-pin leadless QFN package and operates over a  $-40^{\circ}\text{C}$  to  $125^{\circ}\text{C}$  temperature range.

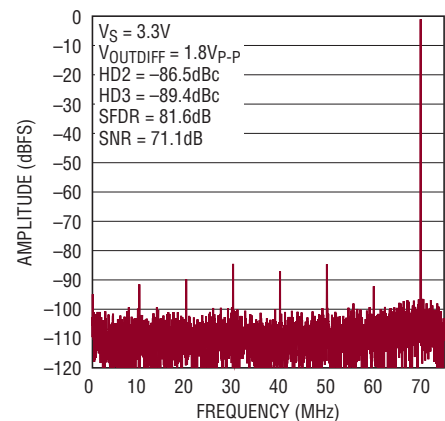
LT, LT, LTC, LTM, Linear Technology and the Linear logo are registered trademarks of Analog Devices, Inc. All other trademarks are the property of their respective owners.

### TYPICAL APPLICATION

DC-Coupled Interface from a Ground-Referenced Single-Ended Input to an LTC2262-14 ADC



LTC6409 Driving LTC2262-14 ADC,  
 $f_{\text{IN}} = 70\text{MHz}$ ,  $-1\text{dBFS}$ ,  
 $f_{\text{s}} = 150\text{MHz}$ , 4096-Point FFT

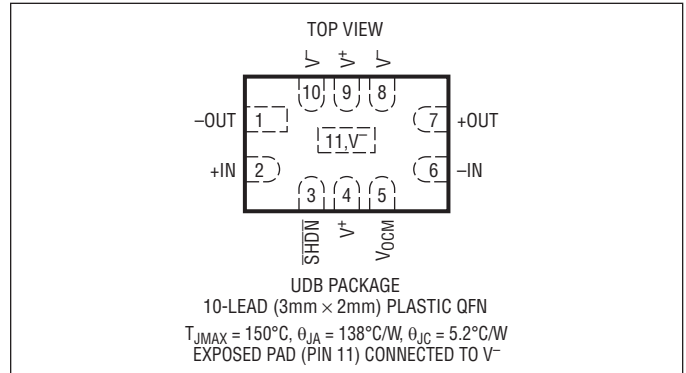


## ABSOLUTE MAXIMUM RATINGS

(Note 1)

Total Supply Voltage ( $V^+ - V^-$ ) .....	5.5V
Input Current (+IN, -IN, $V_{OCM}$ , $\overline{SHDN}$ ) (Note 2).....	$\pm 10$ mA
Output Short-Circuit Duration (Note 3) .....	Indefinite
Operating Temperature Range (Note 4).....	$-40^\circ\text{C}$ to $125^\circ\text{C}$
Specified Temperature Range (Note 5).....	$-40^\circ\text{C}$ to $125^\circ\text{C}$
Maximum Junction Temperature .....	$150^\circ\text{C}$
Storage Temperature Range .....	$-65^\circ\text{C}$ to $150^\circ\text{C}$

## PIN CONFIGURATION



## ORDER INFORMATION

<http://www.linear.com/product/LTC6409#orderinfo>

### Lead Free Finish

TAPE AND REEL (MINI)	TAPE AND REEL	PART MARKING*	PACKAGE DESCRIPTION	SPECIFIED TEMPERATURE RANGE
LTC6409CUDB#TRMPBF	LTC6409CUDB#TRPBF	LFPF	10-Lead (3mm x 2mm) Plastic QFN	$0^\circ\text{C}$ to $70^\circ\text{C}$
LTC6409IUDB#TRMPBF	LTC6409IUDB#TRPBF	LFPF	10-Lead (3mm x 2mm) Plastic QFN	$-40^\circ\text{C}$ to $85^\circ\text{C}$
LTC6409HUIDB#TRMPBF	LTC6409HUIDB#TRPBF	LFPF	10-Lead (3mm x 2mm) Plastic QFN	$-40^\circ\text{C}$ to $125^\circ\text{C}$

TRM = 500 pieces. \*Temperature grades are identified by a label on the shipping container.

Consult LTC Marketing for parts specified with wider operating temperature ranges.

For more information on lead free part marking, go to: <http://www.linear.com/leadfree/>

For more information on tape and reel specifications, go to: <http://www.linear.com/tapeandree/>. Some packages are available in 500 unit reels through designated sales channels with #TRMPBF suffix.

## ELECTRICAL CHARACTERISTICS

The ● denotes the specifications which apply over the full operating temperature range, otherwise specifications are at  $T_A = 25^\circ\text{C}$ .  $V^+ = 5\text{V}$ ,  $V^- = 0\text{V}$ ,  $V_{CM} = V_{OCM} = V_{ICM} = 1.25\text{V}$ ,  $V_{\overline{SHDN}} = \text{open}$ .  $V_S$  is defined as  $(V^+ - V^-)$ .  $V_{OUTCM}$  is defined as  $(V_{+OUT} + V_{-OUT})/2$ .  $V_{ICM}$  is defined as  $(V_{+IN} + V_{-IN})/2$ .  $V_{OUTDIFF}$  is defined as  $(V_{+OUT} - V_{-OUT})$ .

SYMBOL	PARAMETER	CONDITIONS	MIN	TYP	MAX	UNITS	
$V_{OSDIFF}$	Differential Offset Voltage (Input Referred)	$V_S = 3\text{V}$		$\pm 300$	$\pm 1000$	$\mu\text{V}$	
		$V_S = 3\text{V}$	●		$\pm 1200$	$\mu\text{V}$	
		$V_S = 5\text{V}$		$\pm 300$	$\pm 1100$	$\mu\text{V}$	
		$V_S = 5\text{V}$	●		$\pm 1400$	$\mu\text{V}$	
$\frac{\Delta V_{OSDIFF}}{\Delta T}$	Differential Offset Voltage Drift (Input Referred)	$V_S = 3\text{V}$	●	2		$\mu\text{V}/^\circ\text{C}$	
		$V_S = 5\text{V}$	●	2		$\mu\text{V}/^\circ\text{C}$	
$I_B$	Input Bias Current (Note 6)	$V_S = 3\text{V}$	●	-140	-62	0	$\mu\text{A}$
		$V_S = 5\text{V}$	●	-160	-70	0	$\mu\text{A}$
$I_{OS}$	Input Offset Current (Note 6)	$V_S = 3\text{V}$	●	$\pm 2$	$\pm 10$	$\mu\text{A}$	
		$V_S = 5\text{V}$	●	$\pm 2$	$\pm 10$	$\mu\text{A}$	
$R_{IN}$	Input Resistance	Common Mode		165		k $\Omega$	
		Differential Mode		860		$\Omega$	
$C_{IN}$	Input Capacitance	Differential Mode		0.5		pF	
$e_n$	Differential Input Noise Voltage Density	$f = 1\text{MHz}$ , Not Including $R_I/R_F$ Noise		1.1		nV/ $\sqrt{\text{Hz}}$	
$i_n$	Input Noise Current Density	$f = 1\text{MHz}$ , Not Including $R_I/R_F$ Noise		8.8		pA/ $\sqrt{\text{Hz}}$	
NF	Noise Figure at 100MHz	Shunt-Terminated to $50\Omega$ , $R_S = 50\Omega$ , $R_I = 25\Omega$ , $R_F = 10\text{k}\Omega$		6.9		dB	

**ELECTRICAL CHARACTERISTICS** The ● denotes the specifications which apply over the full operating temperature range, otherwise specifications are at  $T_A = 25^\circ\text{C}$ .  $V^+ = 5\text{V}$ ,  $V^- = 0\text{V}$ ,  $V_{\text{CM}} = V_{\text{OCM}} = V_{\text{ICM}} = 1.25\text{V}$ ,  $V_{\text{SHDN}} = \text{open}$ .  $V_S$  is defined as  $(V^+ - V^-)$ .  $V_{\text{OUTCM}}$  is defined as  $(V_{+\text{OUT}} + V_{-\text{OUT}})/2$ .  $V_{\text{ICM}}$  is defined as  $(V_{+\text{IN}} + V_{-\text{IN}})/2$ .  $V_{\text{OUTDIFF}}$  is defined as  $(V_{+\text{OUT}} - V_{-\text{OUT}})$ .

SYMBOL	PARAMETER	CONDITIONS	MIN	TYP	MAX	UNITS	
$e_{\text{nVOCM}}$	Common Mode Noise Voltage Density	$f = 10\text{MHz}$		12		$\text{nV}/\sqrt{\text{Hz}}$	
$V_{\text{ICMR}}$ (Note 7)	Input Signal Common Mode Range	$V_S = 3\text{V}$ $V_S = 5\text{V}$	● ●	0 0	1.5 3.5	V V	
$\text{CMRRI}$ (Note 8)	Input Common Mode Rejection Ratio (Input Referred) $\Delta V_{\text{ICM}}/\Delta V_{\text{OSDIFF}}$	$V_S = 3\text{V}$ , $V_{\text{ICM}}$ from 0V to 1.5V $V_S = 5\text{V}$ , $V_{\text{ICM}}$ from 0V to 3.5V	● ●	75 75	90 90	dB dB	
$\text{CMRRIO}$ (Note 8)	Output Common Mode Rejection Ratio (Input Referred) $\Delta V_{\text{OCM}}/\Delta V_{\text{OSDIFF}}$	$V_S = 3\text{V}$ , $V_{\text{OCM}}$ from 0.5V to 1.5V $V_S = 5\text{V}$ , $V_{\text{OCM}}$ from 0.5V to 3.5V	● ●	55 60	80 85	dB dB	
$\text{PSRR}$ (Note 9)	Differential Power Supply Rejection ( $\Delta V_S/\Delta V_{\text{OSDIFF}}$ )	$V_S = 2.7\text{V}$ to 5.25V	●	60	85	dB	
$\text{PSRRCM}$ (Note 9)	Output Common Mode Power Supply Rejection ( $\Delta V_S/\Delta V_{\text{OSCM}}$ )	$V_S = 2.7\text{V}$ to 5.25V	●	55	70	dB	
$V_S$	Supply Voltage Range (Note 10)		●	2.7	5.25	V	
$G_{\text{CM}}$	Common Mode Gain ( $\Delta V_{\text{OUTCM}}/\Delta V_{\text{OCM}}$ )	$V_S = 3\text{V}$ , $V_{\text{OCM}}$ from 0.5V to 1.5V $V_S = 5\text{V}$ , $V_{\text{OCM}}$ from 0.5V to 3.5V	● ●		1 1	V/V V/V	
$\Delta G_{\text{CM}}$	Common Mode Gain Error, $100 \times (G_{\text{CM}} - 1)$	$V_S = 3\text{V}$ , $V_{\text{OCM}}$ from 0.5V to 1.5V $V_S = 5\text{V}$ , $V_{\text{OCM}}$ from 0.5V to 3.5V	● ●		$\pm 0.1$ $\pm 0.1$	$\pm 0.3$ $\pm 0.3$	% %
BAL	Output Balance ( $\Delta V_{\text{OUTCM}}/\Delta V_{\text{OUTDIFF}}$ )	$\Delta V_{\text{OUTDIFF}} = 2\text{V}$ Single-Ended Input Differential Input	● ●		-65 -70	-50 -50	dB dB
$V_{\text{OSCM}}$	Common Mode Offset Voltage ( $V_{\text{OUTCM}} - V_{\text{OCM}}$ )	$V_S = 3\text{V}$ $V_S = 5\text{V}$	● ●		$\pm 1$ $\pm 1$	$\pm 5$ $\pm 6$	mV mV
$\frac{\Delta V_{\text{OSCM}}}{\Delta T}$	Common Mode Offset Voltage Drift		●		4	$\mu\text{V}/^\circ\text{C}$	
$V_{\text{OUTCMR}}$ (Note 7)	Output Signal Common Mode Range (Voltage Range for the $V_{\text{OCM}}$ Pin)	$V_S = 3\text{V}$ $V_S = 5\text{V}$	● ●	0.5 0.5	1.5 3.5	V V	
$R_{\text{INVOCM}}$	Input Resistance, $V_{\text{OCM}}$ Pin		●	30	40	50	k $\Omega$
$V_{\text{OCM}}$	Self-Biased Voltage at the $V_{\text{OCM}}$ Pin	$V_S = 3\text{V}$ , $V_{\text{OCM}} = \text{Open}$ $V_S = 5\text{V}$ , $V_{\text{OCM}} = \text{Open}$	●	0.9	0.85 1.25	1.6	V V
$V_{\text{OUT}}$	Output Voltage, High, Either Output Pin	$V_S = 3\text{V}$ , $I_L = 0$ $V_S = 3\text{V}$ , $I_L = -20\text{mA}$ $V_S = 5\text{V}$ , $I_L = 0$ $V_S = 5\text{V}$ , $I_L = -20\text{mA}$	● ● ● ●	1.85 1.8	2 1.95		V V V V
	Output Voltage, Low, Either Output Pin	$V_S = 3\text{V}$ , 5V; $I_L = 0$ $V_S = 3\text{V}$ , 5V; $I_L = 20\text{mA}$	● ●		0.06 0.2	0.15 0.4	V V
$I_{\text{SC}}$	Output Short-Circuit Current, Either Output Pin (Note 11)	$V_S = 3\text{V}$ $V_S = 5\text{V}$	● ●	$\pm 50$ $\pm 70$	$\pm 70$ $\pm 95$		mA mA
$A_{\text{VOL}}$	Large-Signal Open Loop Voltage Gain				65		dB
$I_S$	Supply Current		●		52	56 58	mA mA
$I_{\text{SHDN}}$	Supply Current in Shutdown	$V_{\text{SHDN}} \leq 0.6\text{V}$	●		100	500	$\mu\text{A}$
$R_{\text{SHDN}}$	SHDN Pull-Up Resistor	$V_{\text{SHDN}} = 0\text{V}$ to 0.5V	●	115	150	185	k $\Omega$
$V_{\text{IL}}$	SHDN Input Logic Low		●			0.6	V
$V_{\text{IH}}$	SHDN Input Logic High		●	1.4			V
$t_{\text{ON}}$	Turn-On Time				160		ns
$t_{\text{OFF}}$	Turn-Off Time				80		ns

**ELECTRICAL CHARACTERISTICS** The ● denotes the specifications which apply over the full operating temperature range, otherwise specifications are at  $T_A = 25^\circ\text{C}$ .  $V^+ = 5\text{V}$ ,  $V^- = 0\text{V}$ ,  $V_{\text{CM}} = V_{\text{OCM}} = V_{\text{ICM}} = 1.25\text{V}$ ,  $V_{\text{SHDN}} = \text{open}$ .  $V_S$  is defined as  $(V^+ - V^-)$ .  $V_{\text{OUTCM}}$  is defined as  $(V_{+\text{OUT}} + V_{-\text{OUT}})/2$ .  $V_{\text{ICM}}$  is defined as  $(V_{+\text{IN}} + V_{-\text{IN}})/2$ .  $V_{\text{OUTDIFF}}$  is defined as  $(V_{+\text{OUT}} - V_{-\text{OUT}})$ .

SYMBOL	PARAMETER	CONDITIONS	MIN	TYP	MAX	UNITS
SR	Slew Rate	Differential Output, $V_{\text{OUTDIFF}} = 4V_{\text{P-P}}$ +OUT Rising (–OUT Falling) +OUT Falling (–OUT Rising)		3300 1720 1580		$V/\mu\text{s}$ $V/\mu\text{s}$ $V/\mu\text{s}$
GBW	Gain-Bandwidth Product	$R_I = 25\Omega$ , $R_F = 10\text{k}\Omega$ , $f_{\text{TEST}} = 100\text{MHz}$	9.5 ● 8	10		GHz GHz
$f_{-3\text{dB}}$	–3dB Frequency	$R_I = R_F = 150\Omega$ , $R_{\text{LOAD}} = 400\Omega$ , $C_F = 1.3\text{pF}$		2		GHz
$f_{0.1\text{dB}}$	Frequency for 0.1dB Flatness	$R_I = R_F = 150\Omega$ , $R_{\text{LOAD}} = 400\Omega$ , $C_F = 1.3\text{pF}$		600		MHz
FPBW	Full Power Bandwidth	$V_{\text{OUTDIFF}} = 2V_{\text{P-P}}$		550		MHz
HD2 HD3	25MHz Distortion	Differential Input, $V_{\text{OUTDIFF}} = 2V_{\text{P-P}}$ , $R_I = R_F = 150\Omega$ , $R_{\text{LOAD}} = 400\Omega$ 2nd Harmonic 3rd Harmonic		–104 –106		dBc dBc
	100MHz Distortion	Differential Input, $V_{\text{OUTDIFF}} = 2V_{\text{P-P}}$ , $R_I = R_F = 150\Omega$ , $R_{\text{LOAD}} = 400\Omega$ 2nd Harmonic 3rd Harmonic		–93 –88		dBc dBc
HD2 HD3	25MHz Distortion	Single-Ended Input, $V_{\text{OUTDIFF}} = 2V_{\text{P-P}}$ , $R_I = R_F = 150\Omega$ , $R_{\text{LOAD}} = 400\Omega$ 2nd Harmonic 3rd Harmonic		–101 –103		dBc dBc
	100MHz Distortion	Single-Ended Input, $V_{\text{OUTDIFF}} = 2V_{\text{P-P}}$ , $R_I = R_F = 150\Omega$ , $R_{\text{LOAD}} = 400\Omega$ 2nd Harmonic 3rd Harmonic		–88 –93		dBc dBc
IMD3	3rd Order IMD at 25MHz $f_1 = 24.9\text{MHz}$ , $f_2 = 25.1\text{MHz}$	$V_{\text{OUTDIFF}} = 2V_{\text{P-P}}$ Envelope, $R_I = R_F = 150\Omega$ , $R_{\text{LOAD}} = 400\Omega$		–110		dBc
	3rd Order IMD at 100MHz $f_1 = 99.9\text{MHz}$ , $f_2 = 100.1\text{MHz}$	$V_{\text{OUTDIFF}} = 2V_{\text{P-P}}$ Envelope, $R_I = R_F = 150\Omega$ , $R_{\text{LOAD}} = 400\Omega$		–98		dBc
	3rd Order IMD at 140MHz $f_1 = 139.9\text{MHz}$ , $f_2 = 140.1\text{MHz}$	$V_{\text{OUTDIFF}} = 2V_{\text{P-P}}$ Envelope, $R_I = R_F = 150\Omega$ , $R_{\text{LOAD}} = 400\Omega$		–88		dBc
OIP3	Equivalent OIP3 at 25MHz (Note 12) Equivalent OIP3 at 100MHz (Note 12) Equivalent OIP3 at 140MHz (Note 12)			59 53 48		dBm dBm dBm
$t_S$	Settling Time	$V_{\text{OUTDIFF}} = 2V_{\text{P-P}}$ Step, $R_I = R_F = 150\Omega$ , $R_{\text{LOAD}} = 400\Omega$ 1% Settling		1.9		ns

**Note 1:** Stresses beyond those listed under Absolute Maximum Ratings may cause permanent damage to the device. Exposure to any Absolute Maximum Rating condition for extended periods may affect device reliability and lifetime.

**Note 2:** Input pins (+IN, –IN,  $V_{\text{OCM}}$ , and  $\text{SHDN}$ ) are protected by steering diodes to either supply. If the inputs should exceed either supply voltage, the input current should be limited to less than 10mA. In addition, the inputs +IN, –IN are protected by a pair of back-to-back diodes. If the differential input voltage exceeds 1.4V, the input current should be limited to less than 10mA.

**Note 3:** A heat sink may be required to keep the junction temperature below the absolute maximum rating when the output is shorted indefinitely.

**Note 4:** The LTC6409C/LTC6409I are guaranteed functional over the temperature range of  $-40^\circ\text{C}$  to  $85^\circ\text{C}$ . The LTC6409H is guaranteed functional over the temperature range of  $-40^\circ\text{C}$  to  $125^\circ\text{C}$ .

**Note 5:** The LTC6409C is guaranteed to meet specified performance from  $0^\circ\text{C}$  to  $70^\circ\text{C}$ . The LTC6409C is designed, characterized and expected to meet specified performance from  $-40^\circ\text{C}$  to  $85^\circ\text{C}$ , but is not tested or QA sampled at these temperatures. The LTC6409I is guaranteed to meet specified performance from  $-40^\circ\text{C}$  to  $85^\circ\text{C}$ . The LTC6409H is guaranteed to meet specified performance from  $-40^\circ\text{C}$  to  $125^\circ\text{C}$ .

**Note 6:** Input bias current is defined as the average of the input currents flowing into the inputs (–IN and +IN). Input offset current is defined as the difference between the input currents ( $I_{\text{OS}} = I_{\text{B}}^+ - I_{\text{B}}^-$ ).

## ELECTRICAL CHARACTERISTICS

**Note 7:** Input common mode range is tested by testing at both  $V_{ICM} = 1.25V$  and at the Electrical Characteristics table limits to verify that the differential offset ( $V_{OSDIFF}$ ) and the common mode offset ( $V_{OSCM}$ ) have not deviated by more than  $\pm 1mV$  and  $\pm 2mV$  respectively from the  $V_{ICM} = 1.25V$  case.

The voltage range for the output common mode range is tested by applying a voltage on the  $V_{OCM}$  pin and testing at both  $V_{OCM} = 1.25V$  and at the Electrical Characteristics table limits to verify that the common mode offset ( $V_{OSCM}$ ) has not deviated by more than  $\pm 6mV$  from the  $V_{OCM} = 1.25V$  case.

**Note 8:** Input CMRR is defined as the ratio of the change in the input common mode voltage at the pins +IN or -IN to the change in differential input referred offset voltage. Output CMRR is defined as the ratio of the change in the voltage at the  $V_{OCM}$  pin to the change in differential input referred offset voltage. This specification is strongly dependent on feedback ratio matching between the two outputs and their respective inputs and it is difficult to measure actual amplifier performance (See

Effects of Resistor Pair Mismatch in the Applications Information section of this data sheet). For a better indicator of actual amplifier performance independent of feedback component matching, refer to the PSRR specification.

**Note 9:** Differential power supply rejection (PSRR) is defined as the ratio of the change in supply voltage to the change in differential input referred offset voltage. Common mode power supply rejection (PSRRCM) is defined as the ratio of the change in supply voltage to the change in the output common mode offset voltage.

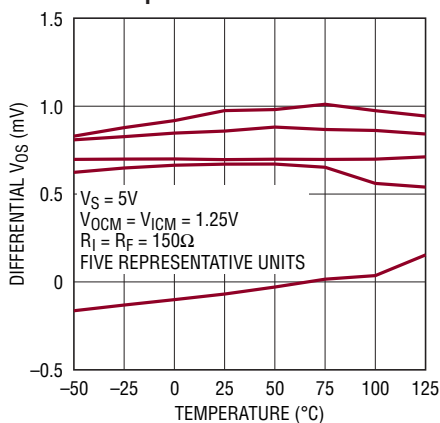
**Note 10:** Supply voltage range is guaranteed by power supply rejection ratio test.

**Note 11:** Extended operation with the output shorted may cause the junction temperature to exceed the  $150^{\circ}C$  limit.

**Note 12:** Refer to Relationship Between Different Linearity Metrics in the Applications Information section of this data sheet for information on how to calculate an equivalent OIP3 from IMD3 measurements.

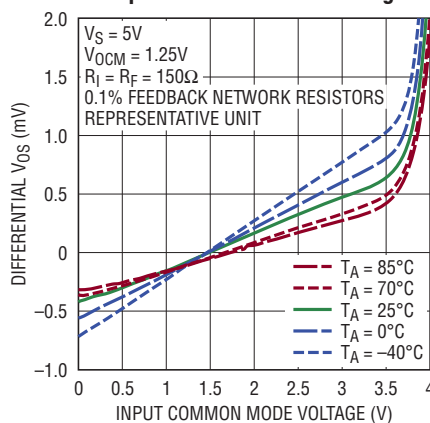
## TYPICAL PERFORMANCE CHARACTERISTICS

**Differential Input Offset Voltage vs Temperature**



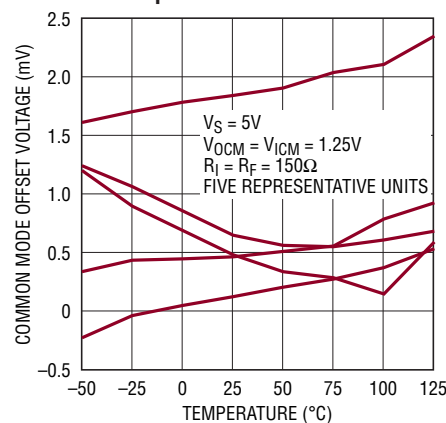
6409 G01

**Differential Input Offset Voltage vs Input Common Mode Voltage**



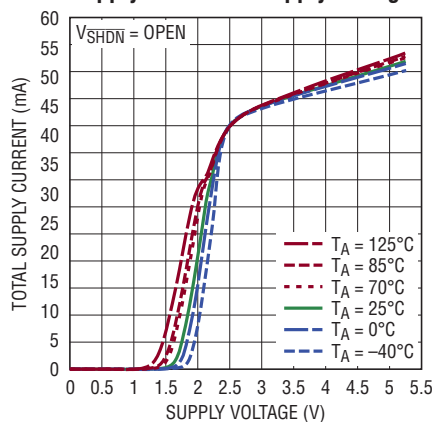
6409 G02

**Common Mode Offset Voltage vs Temperature**



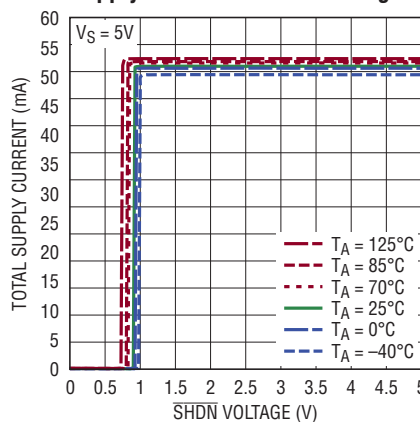
6409 G03

**Supply Current vs Supply Voltage**



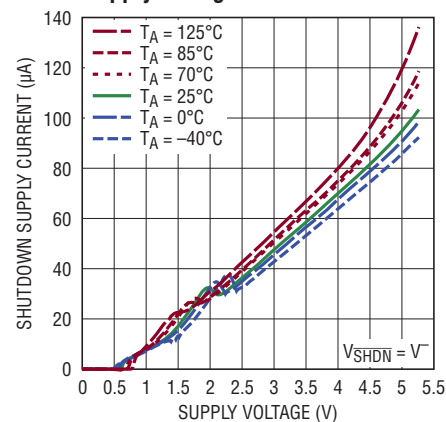
6409 G04

**Supply Current vs SHDN Voltage**



6409 G05

**Shutdown Supply Current vs Supply Voltage**

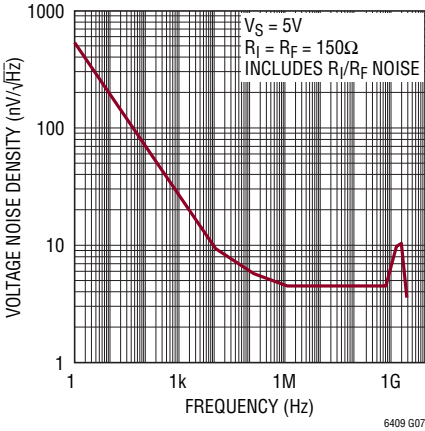


6409 G06

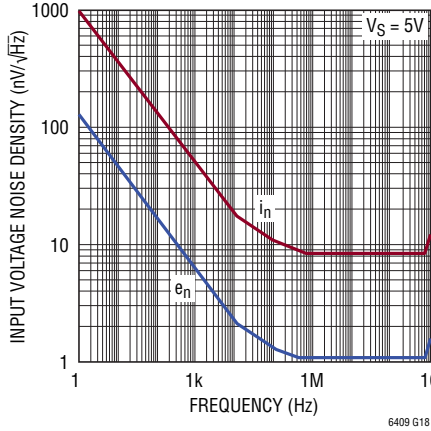
6409fb

## TYPICAL PERFORMANCE CHARACTERISTICS

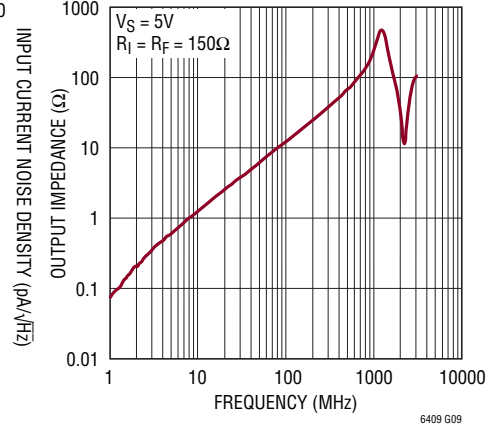
**Differential Output Voltage Noise vs Frequency**



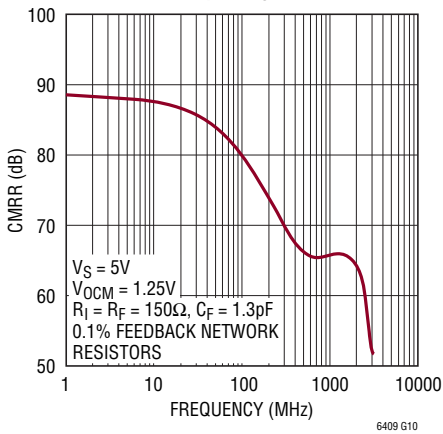
**Input Noise Density vs Frequency**



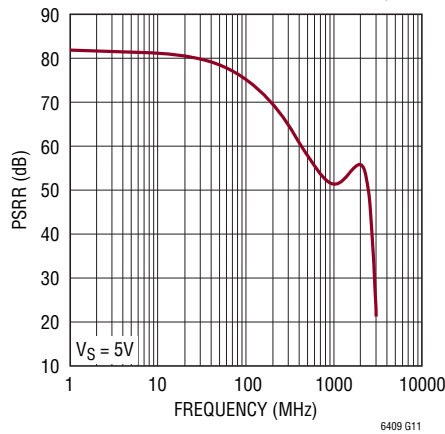
**Differential Output Impedance vs Frequency**



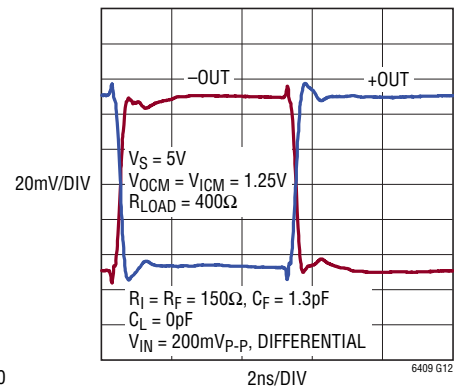
**CMRR vs Frequency**



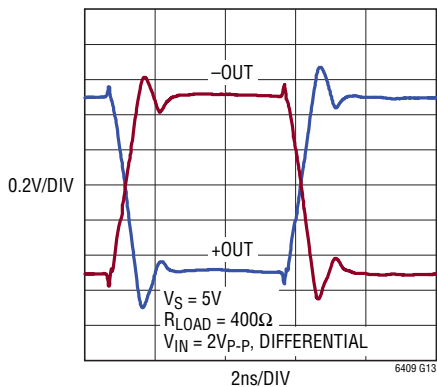
**Differential PSRR vs Frequency**



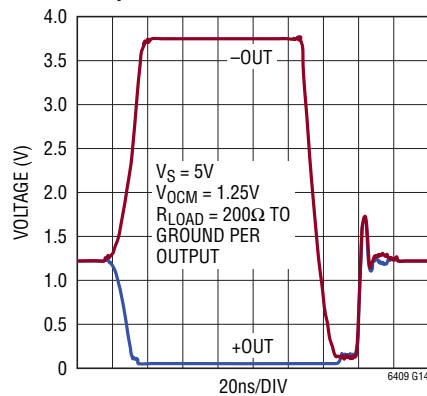
**Small Signal Step Response**



**Large Signal Step Response**

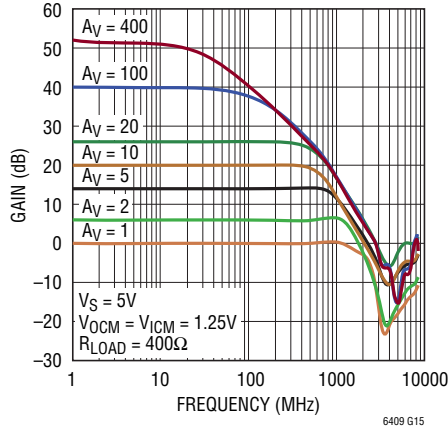


**Overdriven Output Transient Response**



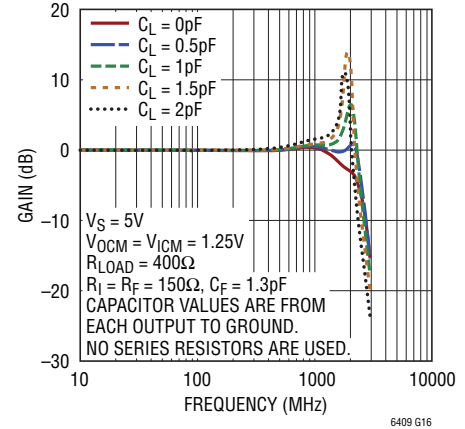
# TYPICAL PERFORMANCE CHARACTERISTICS

**Frequency Response vs Closed Loop Gain**

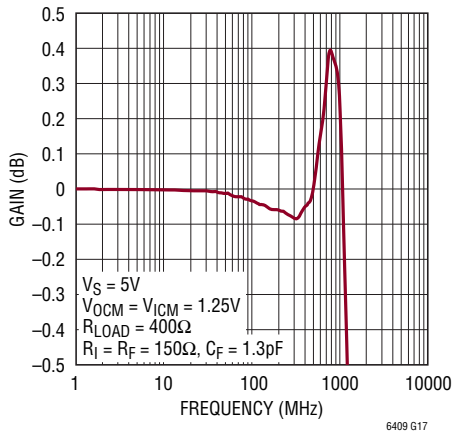


$A_V$ (V/V)	$R_I$ ( $\Omega$ )	$R_F$ ( $\Omega$ )	$C_F$ (pF)
1	150	150	1.3
2	100	200	1
5	50	250	0.8
10	50	500	0.4
20	25	500	0.4
100	25	2.5k	0
400	25	10k	0

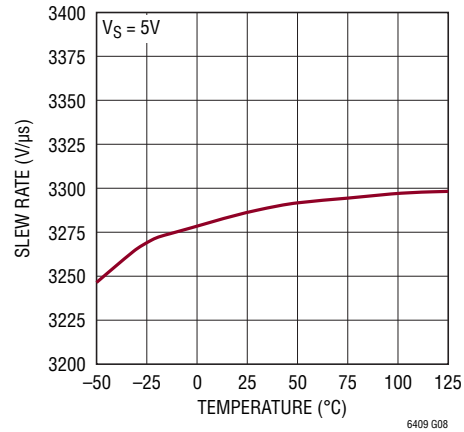
**Frequency Response vs Load Capacitance**



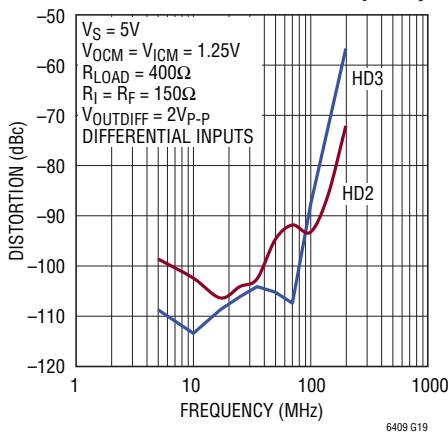
**Gain 0.1dB Flatness**



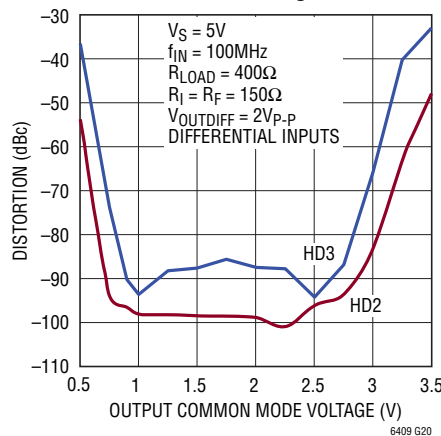
**Slew Rate vs Temperature**



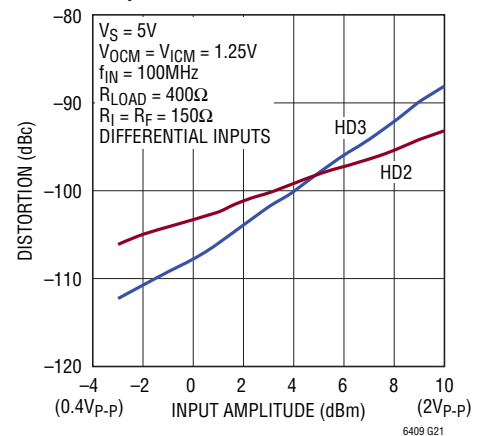
**Harmonic Distortion vs Frequency**



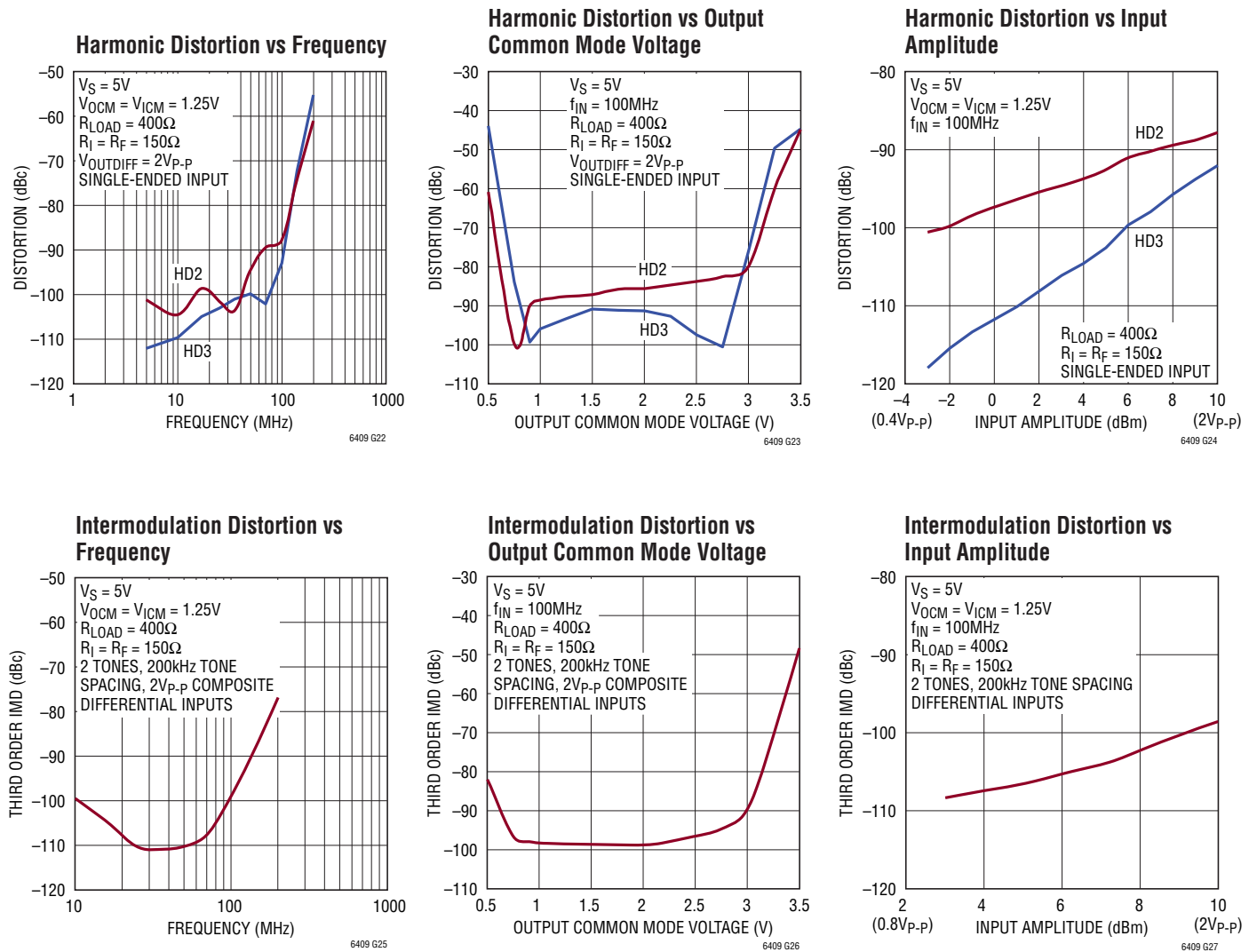
**Harmonic Distortion vs Output Common Mode Voltage**



**Harmonic Distortion vs Input Amplitude**



## TYPICAL PERFORMANCE CHARACTERISTICS



## PIN FUNCTIONS

**+IN, -IN (Pins 2, 6):** Non-Inverting and Inverting Input Pins.

**SHDN (Pin 3):** When  $\overline{SHDN}$  is floating or directly tied to  $V^+$ , the LTC6409 is in the normal (active) operating mode. When the  $\overline{SHDN}$  pin is connected to  $V^-$ , the part is disabled and draws approximately 100 $\mu A$  of supply current.

**V<sup>+</sup>, V<sup>-</sup> (Pins 4, 9 and Pins 8, 10):** Positive and Negative Power Supply Pins. Similar pins should be connected to the same voltage.

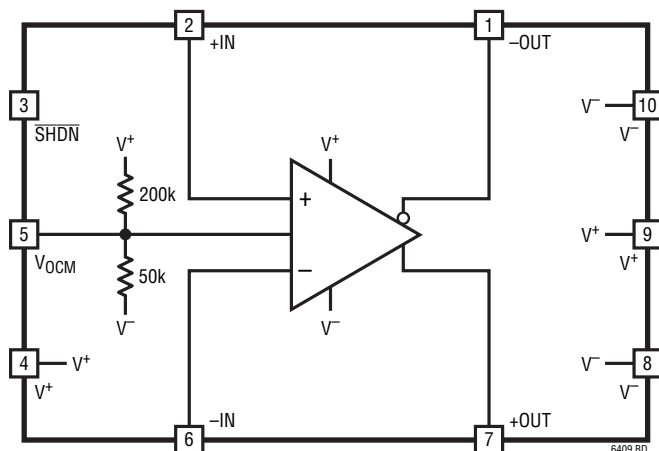
**V<sub>OCM</sub> (Pin 5):** Output Common Mode Reference Voltage. The voltage on this pin sets the output common mode voltage level. If left floating, an internal resistor divider develops a default voltage of 1.25V with a 5V supply.

**+OUT, -OUT (Pins 7, 1):** Differential Output Pins.

**Exposed Pad (Pin 11):** Tie the bottom pad to  $V^-$ . If split supplies are used, DO NOT tie the pad to ground.



## BLOCK DIAGRAM



## APPLICATIONS INFORMATION

### Functional Description

The LTC6409 is a small outline, wideband, high speed, low noise, and low distortion fully-differential amplifier with accurate output phase balancing. The amplifier is optimized to drive low voltage, single-supply, differential input analog-to-digital converters (ADCs). The LTC6409 input common mode range includes ground, which makes it ideal to DC-couple and convert ground-referenced, single-ended signals into differential signals that are referenced to the user-supplied output common mode voltage. This is ideal for driving these differential ADCs. The balanced differential nature of the amplifier also provides even-order harmonic distortion cancellation, and low susceptibility to common mode noise (like power supply noise). The LTC6409 can operate with a single-ended input and differential output, or with a differential input and differential output.

The outputs of the LTC6409 are capable of swinging from close-to-ground to 1V below  $V^+$ . They can source or sink up to approximately 70mA of current. Load capacitances should be decoupled with at least  $10\Omega$  of series resistance from each output.

### Input Pin Protection

The LTC6409 input stage is protected against differential input voltages which exceed 1.4V by two pairs of series diodes connected back to back between +IN and -IN.

Moreover, the input pins, as well as  $V_{OCM}$  and  $\overline{SHDN}$  pins, have clamping diodes to either power supply. If these pins are driven to voltages which exceed either supply, the current should be limited to 10mA to prevent damage to the IC.

### $\overline{SHDN}$ Pin

The  $\overline{SHDN}$  pin is a CMOS logic input with a 150k internal pull-up resistor. If the pin is driven low, the LTC6409 powers down. If the pin is left unconnected or driven high, the part is in normal active operation. Some care should be taken to control leakage currents at this pin to prevent inadvertently putting the LTC6409 into shutdown. The turn-on and turn-off time between the shutdown and active states is typically less than 200ns.

### General Amplifier Applications

In Figure 1, the gain to  $V_{OUTDIFF}$  from  $V_{INP}$  and  $V_{INM}$  is given by:

$$V_{OUTDIFF} = V_{+OUT} - V_{-OUT} \approx \frac{R_F}{R_I} \cdot (V_{INP} - V_{INM}) \quad (1)$$

Note from Equation (1), the differential output voltage ( $V_{+OUT} - V_{-OUT}$ ) is completely independent of input and output common mode voltages, or the voltage at the common mode pin. This makes the LTC6409 ideally suited for pre-amplification, level shifting and conversion of

## APPLICATIONS INFORMATION

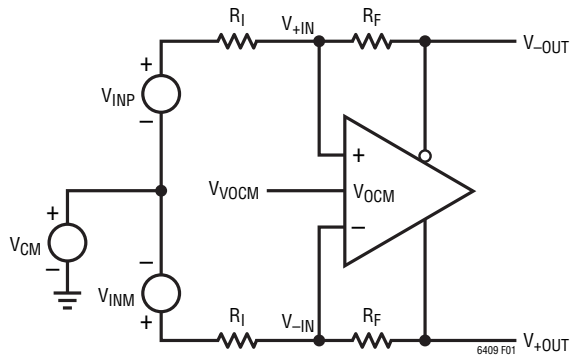


Figure 1. Circuit for Common Mode Range

single-ended signals to differential output signals for driving differential input ADCs.

### Output Common Mode and $V_{OCM}$ Pin

The output common mode voltage is defined as the average of the two outputs:

$$V_{OUTCM} = V_{OCM} = \frac{V_{+OUT} + V_{-OUT}}{2}$$

As the equation shows, the output common mode voltage is independent of the input common mode voltage, and is instead determined by the voltage on the  $V_{OCM}$  pin, by means of an internal common mode feedback loop.

If the  $V_{OCM}$  pin is left open, an internal resistor divider develops a default voltage of 1.25V with a 5V supply. The  $V_{OCM}$  pin can be overdriven to another voltage if desired. For example, when driving an ADC, if the ADC makes a reference available for setting the common mode voltage, it can be directly tied to the  $V_{OCM}$  pin, as long as the ADC is capable of driving the 40k input resistance presented by the  $V_{OCM}$  pin. The Electrical Characteristics table specifies the valid range that can be applied to the  $V_{OCM}$  pin ( $V_{OUTCMR}$ ).

### Input Common Mode Voltage Range

The LTC6409's input common mode voltage ( $V_{ICM}$ ) is defined as the average of the two input pins,  $V_{+IN}$  and  $V_{-IN}$ . The valid range that can be used for  $V_{ICM}$  has been specified in the Electrical Characteristics table ( $V_{ICMR}$ ). However, due to external resistive divider action of the gain and feedback resistors, the effective range of signals

that can be processed is even wider. The input common mode range at the op amp inputs depends on the circuit configuration (gain),  $V_{OCM}$  and  $V_{CM}$  (refer to Figure 1). For fully differential input applications, where  $V_{INP} = -V_{INM}$ , the common mode input is approximately:

$$V_{ICM} = \frac{V_{+IN} + V_{-IN}}{2} \approx V_{OCM} \cdot \frac{R_I}{R_I + R_F} + V_{CM} \cdot \frac{R_F}{R_I + R_F}$$

With single-ended inputs, there is an input signal component to the input common mode voltage. Applying only  $V_{INP}$  (setting  $V_{INM}$  to zero), the input common mode voltage is approximately:

$$V_{ICM} = \frac{V_{+IN} + V_{-IN}}{2} \approx V_{OCM} \cdot \frac{R_I}{R_I + R_F} + V_{CM} \cdot \frac{R_F}{R_I + R_F} + \frac{V_{INP}}{2} \cdot \frac{R_F}{R_I + R_F} \quad (2)$$

This means that if, for example, the input signal ( $V_{INP}$ ) is a sine, an attenuated version of that sine signal also appears at the op amp inputs.

### Input Impedance and Loading Effects

The low frequency input impedance looking into the  $V_{INP}$  or  $V_{INM}$  input of Figure 1 depends on how the inputs are driven. For fully differential input sources ( $V_{INP} = -V_{INM}$ ), the input impedance seen at either input is simply:

$$R_{INP} = R_{INM} = R_I$$

For single-ended inputs, because of the signal imbalance at the input, the input impedance actually increases over the balanced differential case. The input impedance looking into either input is:

$$R_{INP} = R_{INM} = \frac{R_I}{1 - \frac{1}{2} \cdot \frac{R_F}{R_I + R_F}}$$

Input signal sources with non-zero output impedances can also cause feedback imbalance between the pair of feedback networks. For the best performance, it is recommended that the input source output impedance be compensated. If input impedance matching is required

## APPLICATIONS INFORMATION

by the source, a termination resistor  $R_T$  should be chosen (see Figure 2) such that:

$$R_T = \frac{R_{INM} \cdot R_S}{R_{INM} - R_S}$$

According to Figure 2, the input impedance looking into the differential amp ( $R_{INM}$ ) reflects the single-ended source case, given above. Also,  $R_2$  is chosen as:

$$R_2 = R_T \parallel R_S = \frac{R_T \cdot R_S}{R_T + R_S}$$

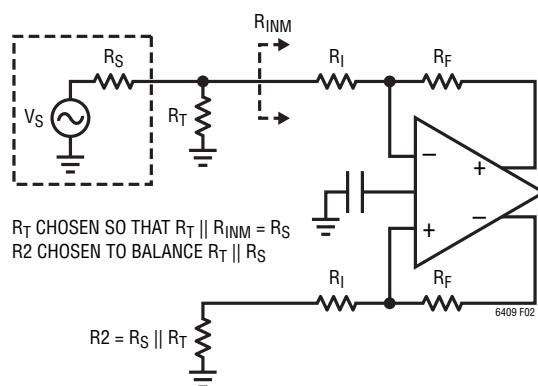


Figure 2. Optimal Compensation for Signal Source Impedance

### Effects of Resistor Pair Mismatch

Figure 3 shows a circuit diagram which takes into consideration that real world resistors will not match perfectly. Assuming infinite open loop gain, the differential output relationship is given by the equation:

$$V_{OUTDIFF} = V_{+OUT} - V_{-OUT} \approx V_{INDIFF} \cdot \frac{R_F}{R_I} +$$

$$V_{CM} \cdot \frac{\Delta\beta}{\beta_{AVG}} - V_{OCM} \cdot \frac{\Delta\beta}{\beta_{AVG}}$$

where  $R_F$  is the average of  $R_{F1}$ , and  $R_{F2}$ , and  $R_I$  is the average of  $R_{I1}$ , and  $R_{I2}$ .

$\beta_{AVG}$  is defined as the average feedback factor from the outputs to their respective inputs:

$$\beta_{AVG} = \frac{1}{2} \cdot \left( \frac{R_{I1}}{R_{I1} + R_{F1}} + \frac{R_{I2}}{R_{I2} + R_{F2}} \right)$$

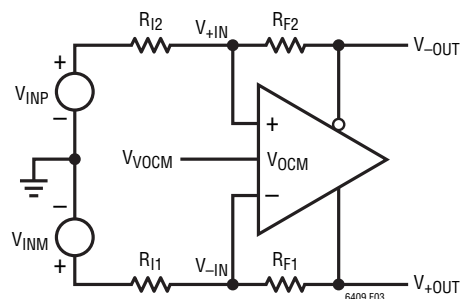


Figure 3. Real-World Application with Feedback Resistor Pair Mismatch

$\Delta\beta$  is defined as the difference in the feedback factors:

$$\Delta\beta = \frac{R_{I2}}{R_{I2} + R_{F2}} - \frac{R_{I1}}{R_{I1} + R_{F1}}$$

Here,  $V_{CM}$  and  $V_{INDIFF}$  are defined as the average and the difference of the two input voltages  $V_{INP}$  and  $V_{INM}$ , respectively:

$$V_{CM} = \frac{V_{INP} + V_{INM}}{2}$$

$$V_{INDIFF} = V_{INP} - V_{INM}$$

When the feedback ratios mismatch ( $\Delta\beta$ ), common mode to differential conversion occurs. Setting the differential input to zero ( $V_{INDIFF} = 0$ ), the degree of common mode to differential conversion is given by the equation:

$$V_{OUTDIFF} = V_{+OUT} - V_{-OUT} \approx (V_{CM} - V_{OCM}) \cdot \frac{\Delta\beta}{\beta_{AVG}} \quad (3)$$

In general, the degree of feedback pair mismatch is a source of common mode to differential conversion of both signals and noise. Using 0.1% resistors or better will mitigate most problems and will provide about 54dB worst case of common mode rejection. A low impedance ground plane should be used as a reference for both the input signal source and the  $V_{OCM}$  pin.

There may be concern on how feedback factor mismatch affects distortion. Feedback factor mismatch from using 1% resistors or better, has a negligible effect on distortion. However, in single supply level shifting applications where there is a voltage difference between the input common mode voltage and the output common mode voltage,

## APPLICATIONS INFORMATION

resistor mismatch can make the apparent voltage offset of the amplifier appear worse than specified.

The apparent input referred offset induced by feedback factor mismatch is derived from Equation (3):

$$V_{OSDIFF(APPERENT)} \approx (V_{CM} - V_{OCM}) \cdot \Delta\beta$$

Using the LTC6409 in a single 5V supply application with 0.1% resistors, the input common mode grounded, and the  $V_{OCM}$  pin biased at 1.25V, the worst case mismatch can induce 1.25mV of apparent offset voltage.

### Noise and Noise Figure

The LTC6409’s differential input referred voltage and current noise densities are  $1.1\text{nV}/\sqrt{\text{Hz}}$  and  $8.8\text{pA}/\sqrt{\text{Hz}}$ , respectively. In addition to the noise generated by the amplifier, the surrounding feedback resistors also contribute noise. A simplified noise model is shown in Figure 4. The output noise generated by both the amplifier and the feedback components is given by the equation:

$$e_{no} = \sqrt{e_{ni} \cdot \left(1 + \frac{R_F}{R_I}\right)^2 + 2 \cdot (i_n \cdot R_F)^2 + 2 \cdot \left(e_{nRI} \cdot \frac{R_F}{R_I}\right)^2 + 2 \cdot e_{nRF}^2}$$

If the circuits surrounding the amplifier are well balanced, common mode noise ( $e_{nVOCM}$ ) of the amplifier does not appear in the differential output noise equation given above. A plot of this equation and a plot of the noise generated by the feedback components for the LTC6409 are shown in Figure 5.

The LTC6409’s input referred voltage noise contributes the equivalent noise of a  $75\Omega$  resistor. When the feedback network is comprised of resistors whose values are larger than this, the output noise is resistor noise and amplifier current noise dominant. For feedback networks consisting of resistors with values smaller than  $75\Omega$ , the output noise is voltage noise dominant (see Figure 5).

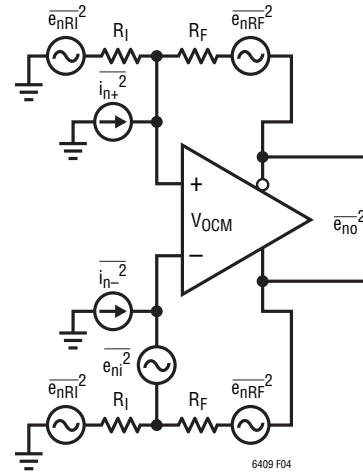


Figure 4. Simplified Noise Model

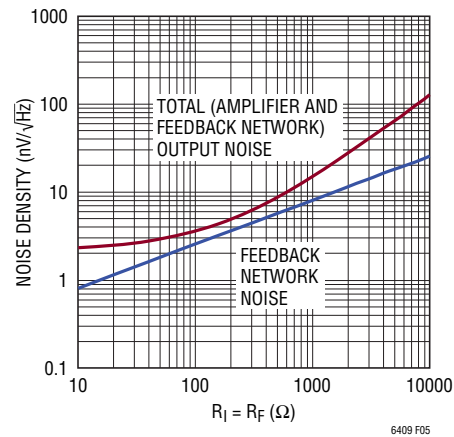
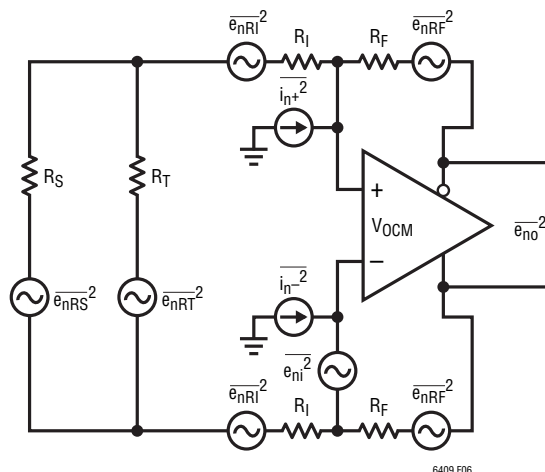


Figure 5. LTC6409 Output Noise vs Noise Contributed by Feedback Network Alone

Lower resistor values always result in lower noise at the penalty of increased distortion due to increased loading by the feedback network on the output. Higher resistor values will result in higher output noise, but typically improved distortion due to less loading on the output. For this reason, when LTC6409 is configured in a differential gain of 1, using feedback resistors of at least  $150\Omega$  is recommended.

To calculate noise figure (NF), a source resistance and the noise it generates should also come into consideration. Figure 6 shows a noise model for the amplifier which includes the source resistance ( $R_S$ ). To generalize the

## APPLICATIONS INFORMATION



**Figure 6. A More General Noise Model Including Source and Termination Resistors**

calculation, a termination resistor ( $R_T$ ) is included and its noise contribution is taken into account.

Now, the total output noise power (excluding the noise contribution of  $R_S$ ) is calculated as:

$$e_{no}^2 = \left[ e_{ni} \cdot \left( 1 + \frac{R_F}{R_I + \left( \frac{R_T \parallel R_S}{2} \right)} \right) \right]^2 + 2 \cdot (i_n \cdot R_F)^2 +$$

$$2 \cdot \left[ e_{nRI} \cdot \frac{R_F}{R_I + \left( \frac{R_T \parallel R_S}{2} \right)} \right]^2 + 2 \cdot e_{nRF}^2 +$$

$$\left[ e_{nRT} \cdot \frac{R_F}{R_I} \cdot \left( \frac{2R_I \parallel R_S}{R_T + (2R_I \parallel R_S)} \right) \right]^2$$

Meanwhile, the output noise power due to noise of  $R_S$  is given by:

$$e_{no}^2 (RS) = \left[ e_{nRS} \cdot \frac{R_F}{R_I} \cdot \left( \frac{2R_I \parallel R_T}{R_S + (2R_I \parallel R_T)} \right) \right]^2$$

Finally, noise figure can be obtained as:

$$NF = 10 \log \left( 1 + \frac{e_{no}^2}{e_{no}^2 (RS)} \right)$$

Figure 7 specifies the measured total output noise ( $e_{no}$ ), excluding the noise contribution of source resistance, and noise figure (NF) of LTC6409 configured at closed loop gains ( $A_V = R_F/R_I$ ) of 1V/V, 2V/V and 5V/V. The circuits in the left column use termination resistors and transformers to match to the 50Ω source resistance, while the circuits in the right column do not have such matching. For simplicity, DC-blocking and bypass capacitors have not been shown in the circuits, as they do not affect the noise results.

### Relationship Between Different Linearity Metrics

Linearity is, of course, an important consideration in many amplifier applications. This section relates the inter-modulation distortion of fully differential amplifiers to other linearity metrics commonly used in RF style blocks.

Intercept points are specifications that have long been used as key design criteria in the RF communications world as a metric for the intermodulation distortion performance of a device in the signal chain (e.g., amplifiers, mixers, etc.). Intercept points, like noise figures, can be easily cascaded back and forth through a signal chain to determine the overall performance of a receiver chain, thus resulting in simpler system-level calculations. Traditionally, these systems use primarily single-ended RF amplifiers as gain blocks designed to operate in a 50Ω environment, just like the rest of the receiver chain. Since intercept points are given in dBm, this implies an associated impedance of 50Ω.

However, for LTC6409 as a differential feedback amplifier with low output impedance, a 50Ω resistive load is not required (unlike an RF amplifier). This distinction is important when evaluating the intercept point for LTC6409. In fact, the LTC6409 yields optimum distortion performance when loaded with 200Ω to 1kΩ (at each output), very similar to the input impedance of an ADC. As a result, terminating the input of the ADC to 50Ω can actually be detrimental to system performance.

APPLICATIONS INFORMATION

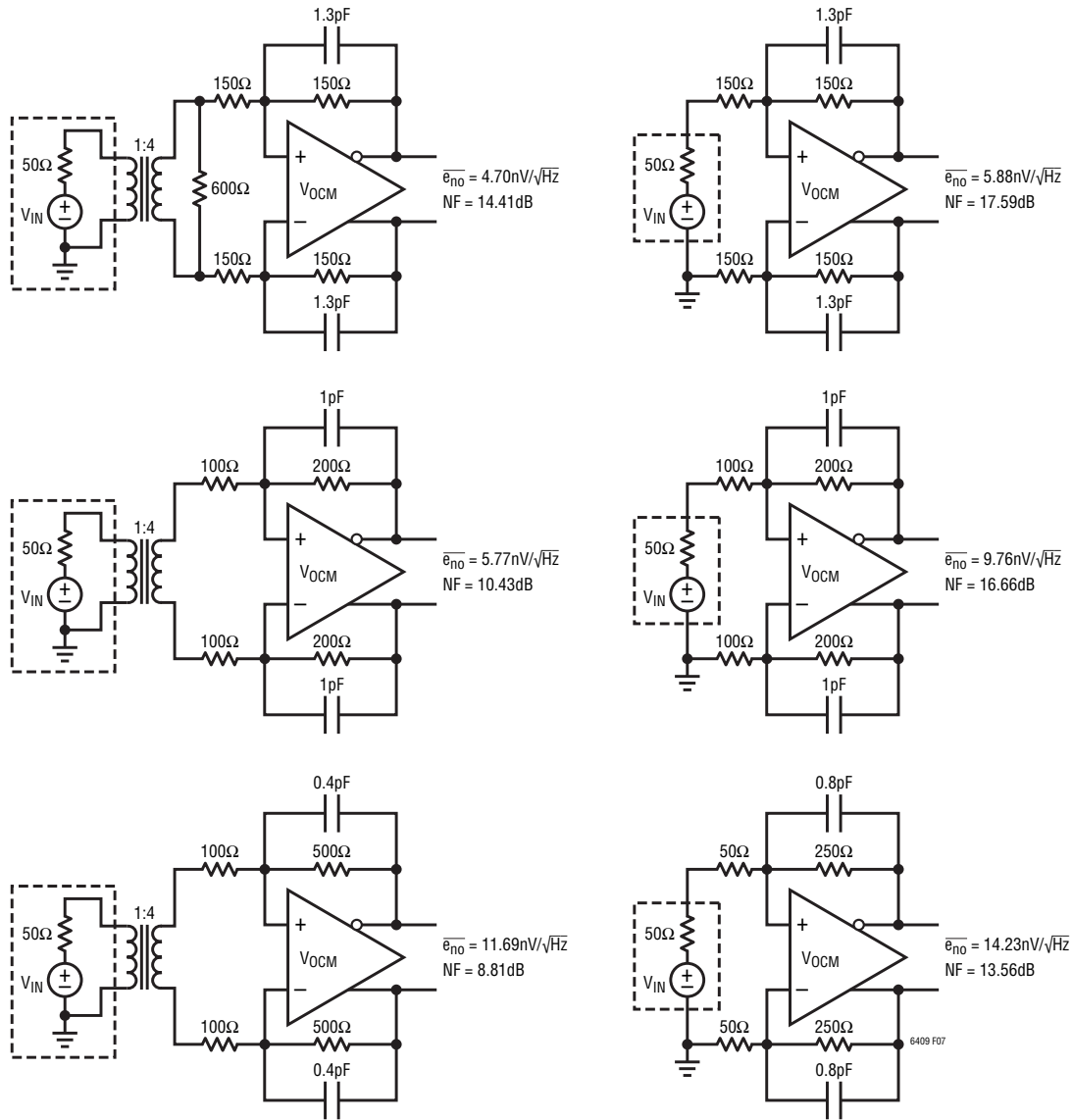


Figure 7. LTC6409 Measured Output Noise and Noise Figure at Different Closed Loop Gains with and without Source Impedance Matching

The definition of 3rd order intermodulation distortion (IMD3) is shown in Figure 8. Also, a graphical representation of how to relate IMD3 to output/input 3rd order intercept points (OIP3/IIP3) has been depicted in Figure 9. Based on this figure, Equation (4) gives the definition of the intercept point, relative to the intermodulation distortion.

$$OIP3 = P_0 + \frac{|IMD3|}{2} \tag{4}$$

$P_0$  is the output power of each of the two tones at which IMD3 is measured, as shown in Figure 9. It is calculated in dBm as:

$$P_0 = 10 \log \left( \frac{V^2_{PDIFF}}{2 \cdot R_L \cdot 10^{-3}} \right) \tag{5}$$

where  $R_L$  is the differential load resistance, and  $V_{PDIFF}$  is the differential peak voltage for a single tone. Normally, intermodulation distortion is specified for a benchmark composite differential peak of  $2V_{P-P}$  at the output of the

## APPLICATIONS INFORMATION

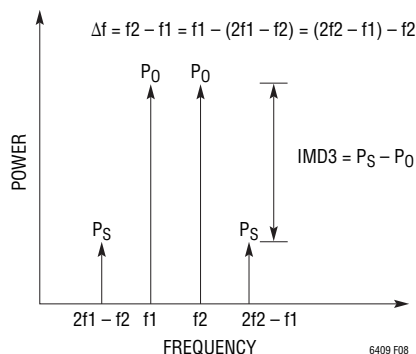


Figure 8. Definition of IMD3

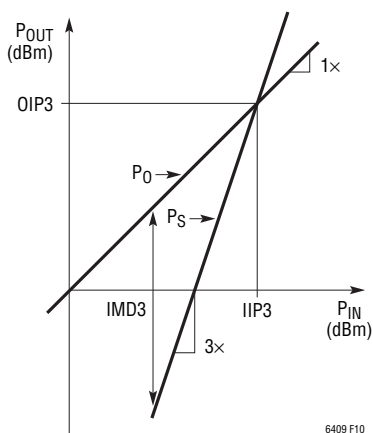


Figure 9. Graphical Representation of the Relationship between IMD3 and OIP3

amplifier, implying that each single tone is  $1V_{P-P}$ , resulting in  $V_{PDIFF} = 0.5V$ . Using  $R_L = 50\Omega$  as the associated impedance,  $P_O$  is calculated to be close to 4dBm.

As seen in Equation (5), when a higher impedance is used, the same level of intermodulation distortion performance

results in a lower intercept point. Therefore, it is important to consider the impedance seen by the output of the LTC6409 when working with intercept points.

Comparing linearity specifications between different amplifier types becomes easier when a common impedance level is assumed. For this reason, the intercept points for LTC6409 are reported normalized to a  $50\Omega$  load impedance. This is the reason why OIP3 in the Electrical Characteristics table is 4dBm more than half the absolute value of IMD3.

If the top half of the LTC6409 demo board (DC1591A, shown in Figure 12) is used to measure IMD3 and OIP3, one should make sure to properly convert the power seen at the differential output of the amplifier to the power that appears at the single-ended output of the demo board. Figure 10 shows an equivalent representation of the top half of the demo board. This view ignores the DC-blocking and bypass capacitors, which do not affect the analysis here. The transmission line transformers (used mainly for impedance matching) are modeled here as ideal 4:1 impedance transformers together with a  $-1dB$  block. This separates the insertion loss of the transformer from its ideal behavior. The  $100\Omega$  resistors at the LTC6409 output create a differential  $200\Omega$  resistance, which is an impedance match for the reflected  $R_L$ .

As previously mentioned, IMD3 is measured for  $2V_{P-P}$  differential peak (i.e. 10dBm) at the output of the LTC6409, corresponding to  $1V_{P-P}$  (i.e. 4dBm) at each output alone. From LTC6409 output (location A in Figure 10) to the input of the output transformer (location B), there is a voltage attenuation of  $1/2$  (or  $-6dB$ ) formed by the

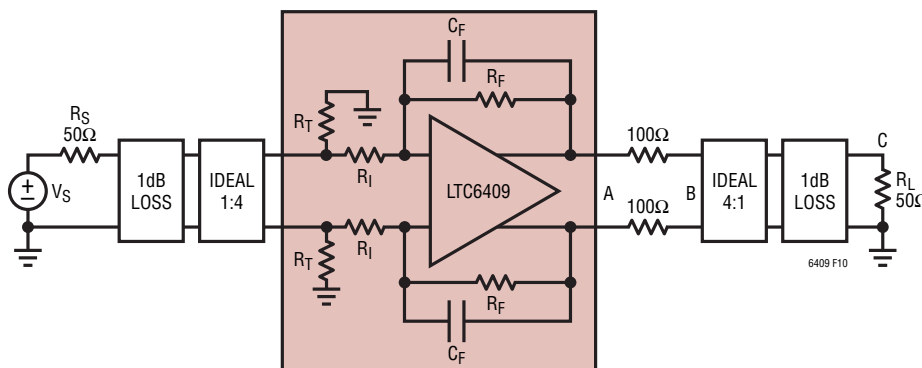


Figure 10. Equivalent Schematic of the Top Half of the LTC6409 Demo Board

## APPLICATIONS INFORMATION

resistive divider between the  $R_L \cdot 4 = 200\Omega$  differential resistance seen at location B and the  $200\Omega$  formed by the two  $100\Omega$  matching resistors at the LTC6409 output. Thus, the differential power at location B is  $10 - 6 = 4\text{dBm}$ . Since the transformer ratio is 4:1 and it has an insertion loss of about 1dB, the power at location C (across  $R_L$ ) is calculated to be  $4 - 6 - 1 = -3\text{dBm}$ . This means that IMD3 should be measured while the power at the output of the demo board is  $-3\text{dBm}$  which is equivalent to having  $2V_{P-P}$  differential peak (or  $10\text{dBm}$ ) at the output of the LTC6409.

### GBW vs $f_{-3\text{dB}}$

Gain-bandwidth product (GBW) and  $-3\text{dB}$  frequency ( $f_{-3\text{dB}}$ ) have been both specified in the Electrical Characteristics table as two different metrics for the speed of the LTC6409. GBW is obtained by measuring the gain of the amplifier at a specific frequency ( $f_{\text{TEST}}$ ) and calculate  $\text{gain} \cdot f_{\text{TEST}}$ . To measure gain, the feedback factor (i.e.  $\beta = R_I / (R_I + R_F)$ ) is chosen sufficiently small so that the feedback loop does not limit the available gain of the LTC6409 at  $f_{\text{TEST}}$ , ensuring that the measured gain is the open loop gain of the amplifier. As long as this condition is met, GBW is a parameter that depends only on the internal design and compensation of the amplifier and is a suitable metric to specify the inherent speed capability of the amplifier.

$f_{-3\text{dB}}$ , on the other hand, is a parameter of more practical interest in different applications and is by definition the frequency at which the gain is 3dB lower than its low frequency value. The value of  $f_{-3\text{dB}}$  depends on the speed of the amplifier as well as the feedback factor. Since the LTC6409 is designed to be stable in a differential signal gain of 1 (where  $R_I = R_F$  or  $\beta = 1/2$ ), the maximum  $f_{-3\text{dB}}$  is obtained and measured in this gain setting, as reported in the Electrical Characteristics table.

In most amplifiers, the open loop gain response exhibits a conventional single-pole roll-off for most of the frequencies before crossover frequency and the GBW and  $f_{-3\text{dB}}$  numbers are close to each other. However, the LTC6409 is intentionally compensated in such a way that its GBW is significantly larger than its  $f_{-3\text{dB}}$ . This means that at

lower frequencies (where the input signal frequencies typically lie, e.g.  $100\text{MHz}$ ) the amplifier's gain and thus the feedback loop gain is larger. This has the important advantage of further linearizing the amplifier and improving distortion at those frequencies.

Looking at the Frequency Response vs Closed Loop Gain graph in the Typical Performance Characteristics section of this data sheet, one sees that for a closed loop gain ( $A_V$ ) of 1 (where  $R_I = R_F = 150\Omega$ ),  $f_{-3\text{dB}}$  is about  $2\text{GHz}$ . However, for  $A_V = 400$  (where  $R_I = 25\Omega$  and  $R_F = 10\text{k}\Omega$ ), the gain at  $100\text{MHz}$  is close to  $40\text{dB} = 100\text{V/V}$ , implying a GBW value of  $10\text{GHz}$ .

### Feedback Capacitors

When the LTC6409 is configured in low differential gains, it is often advantageous to utilize a feedback capacitor ( $C_F$ ) in parallel with each feedback resistor ( $R_F$ ). The use of  $C_F$  implements a pole-zero pair (in which the zero frequency is usually smaller than the pole frequency) and adds positive phase to the feedback loop gain around the amplifier. Therefore, if properly chosen, the addition of  $C_F$  boosts the phase margin and improves the stability response of the feedback loop. For example, with  $R_I = R_F = 150\Omega$ , it is recommended for most general applications to use  $C_F = 1.3\text{pF}$  across each  $R_F$ . This value has been selected to maximize  $f_{-3\text{dB}}$  for the LTC6409 while keeping the peaking of the closed loop gain versus frequency response under a reasonable level ( $<1\text{dB}$ ). It also results in the highest frequency for  $0.1\text{dB}$  gain flatness ( $f_{0.1\text{dB}}$ ).

However, other values of  $C_F$  can also be utilized and tailored to other specific applications. In general, a larger value for  $C_F$  reduces the peaking (overshoot) of the amplifier in both frequency and time domains, but also decreases the closed loop bandwidth ( $f_{-3\text{dB}}$ ). For example, while for a closed loop gain ( $A_V$ ) of 5,  $C_F = 0.8\text{pF}$  results in maximum  $f_{-3\text{dB}}$  (as previously shown in the Frequency Response vs Closed Loop Gain graph of this data sheet), if  $C_F = 1.2\text{pF}$  is used, the amplifier exhibits no overshoot in the time domain which is desirable in certain applications. Both the circuits discussed in this section have been shown in the Typical Applications section of this data sheet.



## APPLICATIONS INFORMATION

### Board Layout and Bypass Capacitors

For single supply applications, it is recommended that high quality  $0.1\mu\text{F}||1000\text{pF}$  ceramic bypass capacitors be placed directly between each  $V^+$  pin and its closest  $V^-$  pin with short connections. The  $V^-$  pins (including the Exposed Pad) should be tied directly to a low impedance ground plane with minimal routing.

For dual (split) power supplies, it is recommended that additional high quality  $0.1\mu\text{F}||1000\text{pF}$  ceramic capacitors be used to bypass  $V^+$  pins to ground and  $V^-$  pins to ground, again with minimal routing.

For driving heavy differential loads ( $<200\Omega$ ), additional bypass capacitance may be needed for optimal performance. Keep in mind that small geometry (e.g., 0603) surface mount ceramic capacitors have a much higher self-resonant frequency than do leaded capacitors, and perform best in high speed applications.

To prevent degradation in stability response, it is highly recommended that any stray capacitance at the input pins,  $+IN$  and  $-IN$ , be kept to an absolute minimum by keeping printed circuit connections as short as possible. This becomes especially true when the feedback resistor network uses resistor values greater than  $500\Omega$  in circuits with  $R_I = R_F$ .

At the output, always keep in mind the differential nature of the LTC6409, because it is critical that the load impedances seen by both outputs (stray or intended), be as balanced and symmetric as possible. This will help preserve the balanced operation of the LTC6409 that minimizes the generation of even-order harmonics and maximizes the rejection of common mode signals and noise.

The  $V_{OCM}$  pin should be bypassed to the ground plane with a high quality ceramic capacitor of at least  $0.01\mu\text{F}$ . This will prevent common mode signals and noise on this pin from being inadvertently converted to differential signals and noise by impedance mismatches both externally and internally to the IC.

### Driving ADCs

The LTC6409's ground-referenced input, differential output and adjustable output common mode voltage make it ideal for interfacing to differential input ADCs. These ADCs are typically supplied from a single-supply voltage and have an optimal common mode input range near mid-supply. The LTC6409 interfaces to these ADCs by providing single-ended to differential conversion and common mode level shifting.

The sampling process of ADCs creates a transient that is caused by the switching in of the ADC sampling capacitor. This momentarily shorts the output of the amplifier as charge is transferred between amplifier and sampling capacitor. The amplifier must recover and settle from this load transient before the acquisition period has ended, for a valid representation of the input signal. The LTC6409 will settle quickly from these periodic load impulses. The RC network between the outputs of the driver and the inputs of the ADC decouples the sampling transient of the ADC (see Figure 11). The capacitance serves to provide the bulk of the charge during the sampling process, while the two resistors at the outputs of the LTC6409 are used to dampen and attenuate any charge injected by the ADC. The RC filter gives the additional benefit of band limiting broadband output noise. Generally, longer time constants improve SNR at the expense of settling time. The resistors in the decoupling network should be at least  $10\Omega$ . These resistors also serve to decouple the LTC6409 outputs from load capacitance. Too large of a resistor will leave insufficient settling time. Too small of a resistor will not properly dampen the load transient of the sampling process, prolonging the time required for settling. In 16-bit applications, this will typically require a minimum of eleven RC time constants. For lowest distortion, choose capacitors with low dielectric absorption (such as a COG multilayer ceramic capacitor).

APPLICATIONS INFORMATION

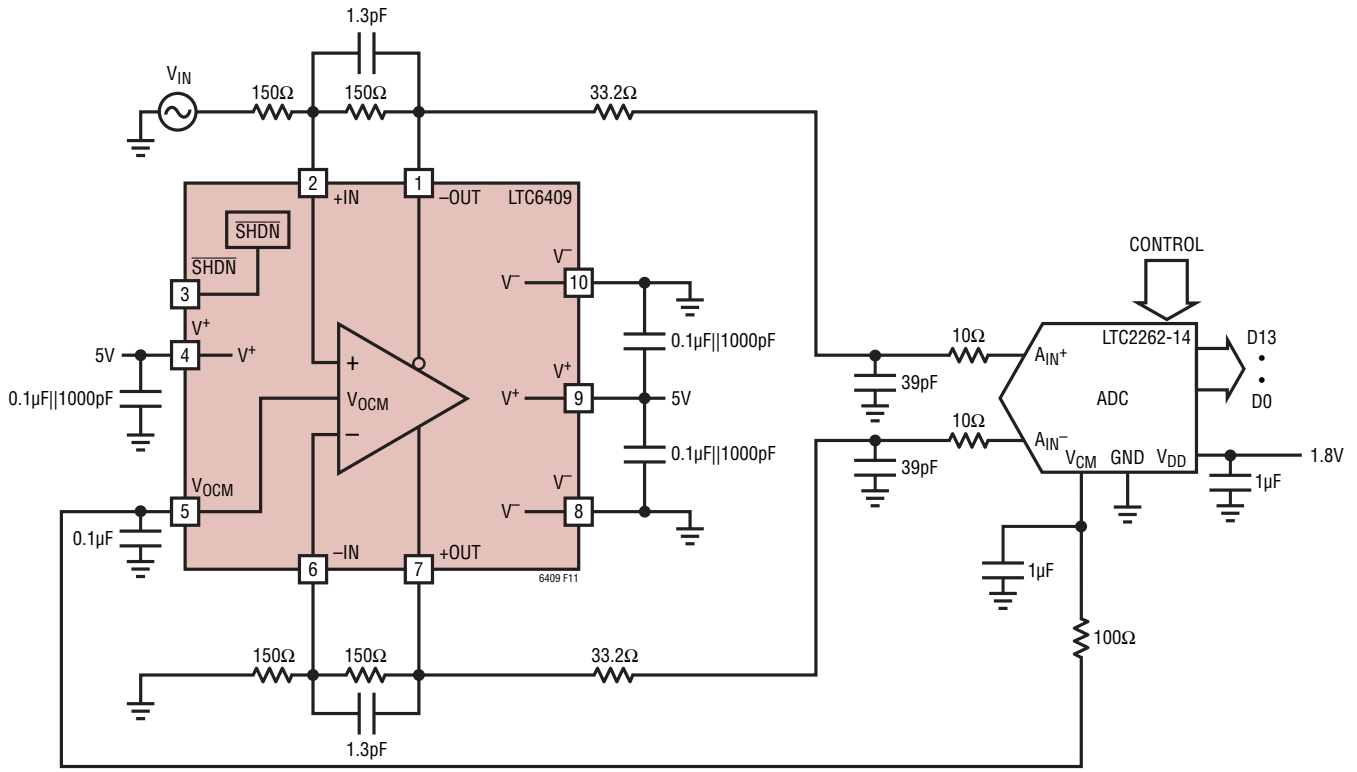
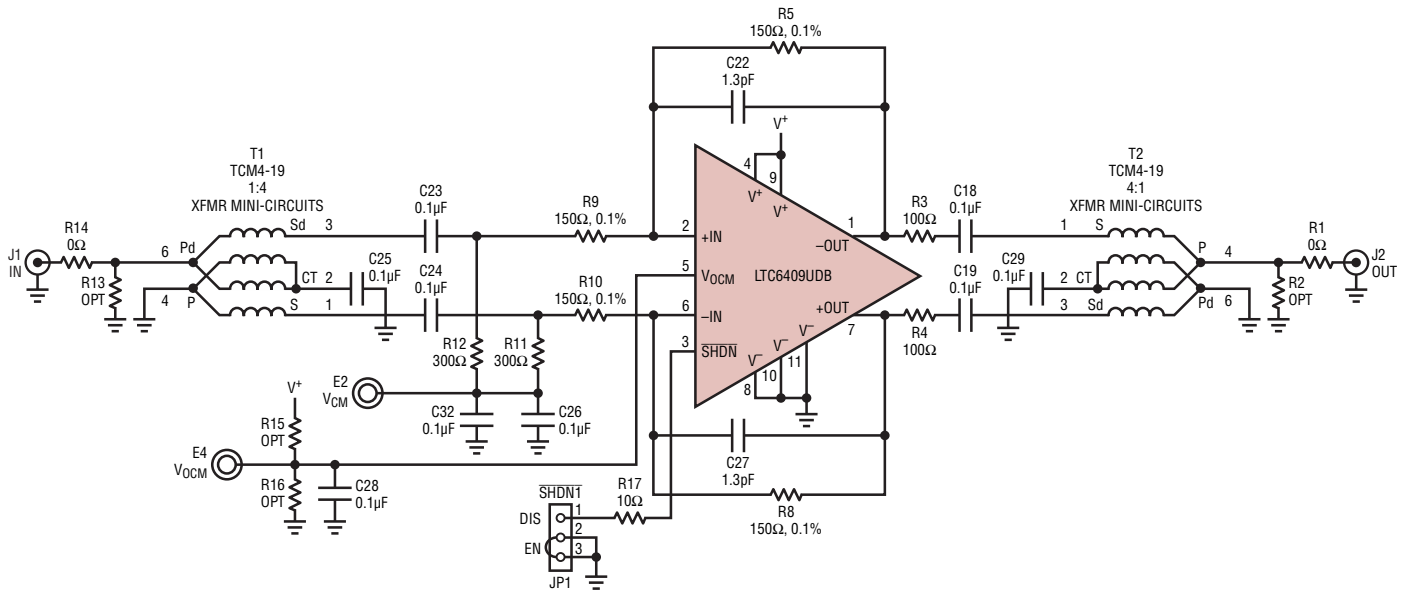


Figure 11. Driving an ADC

APPLICATIONS INFORMATION



CALIBRATION PATH

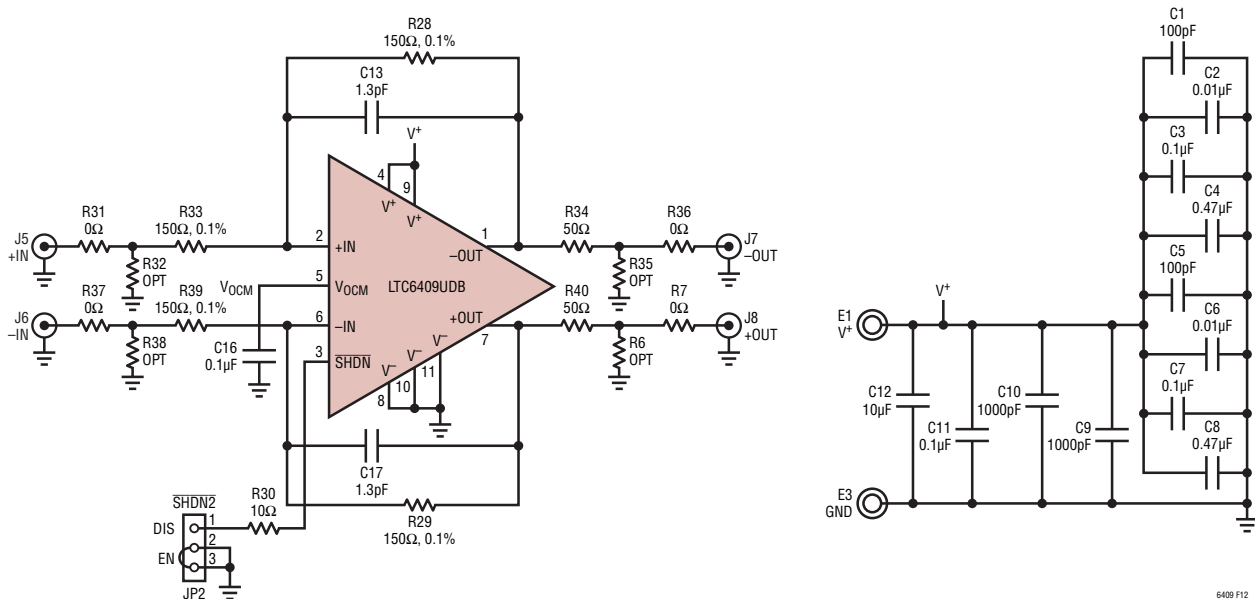
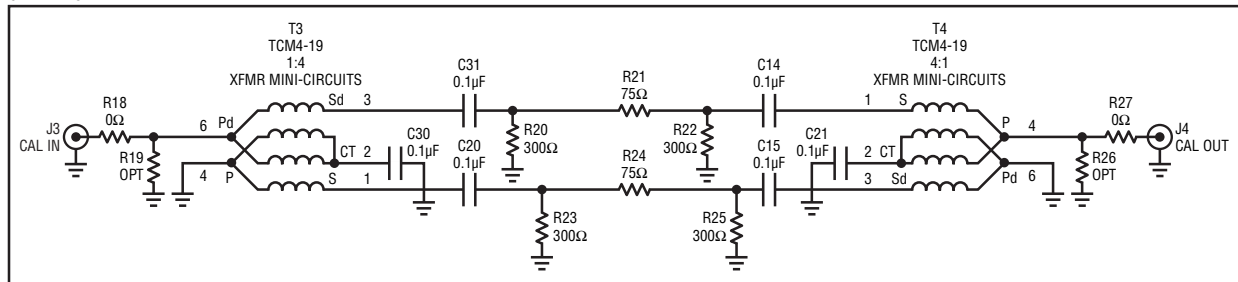


Figure 12. Demo Board DC1591A Schematic

6409 F12

APPLICATIONS INFORMATION

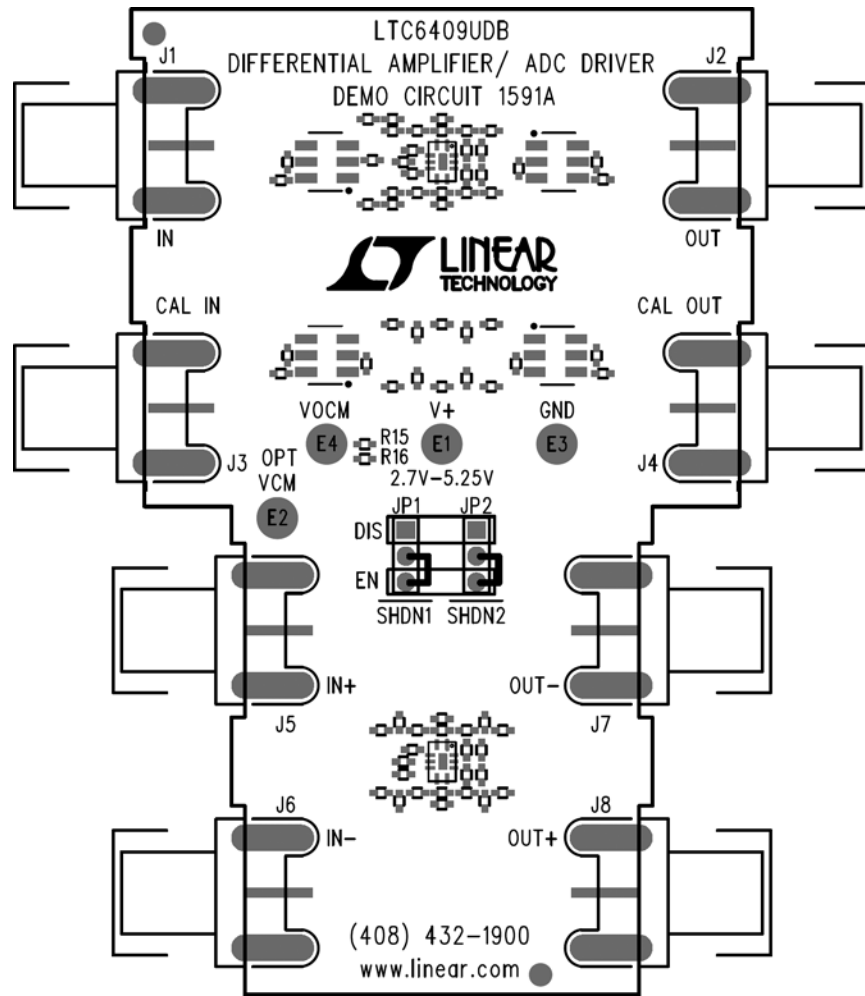
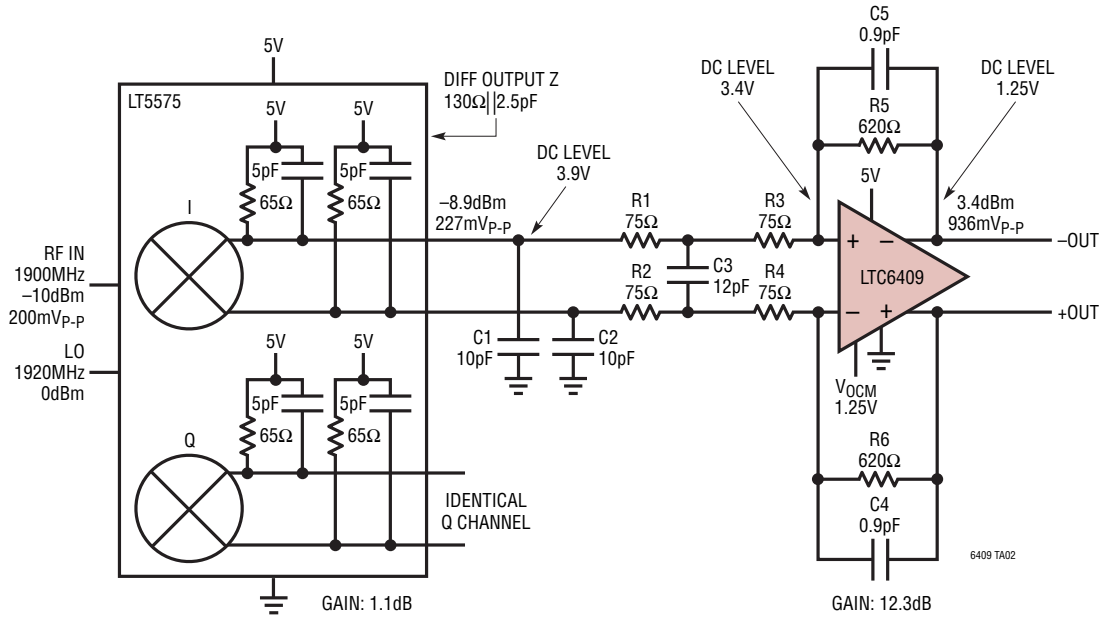


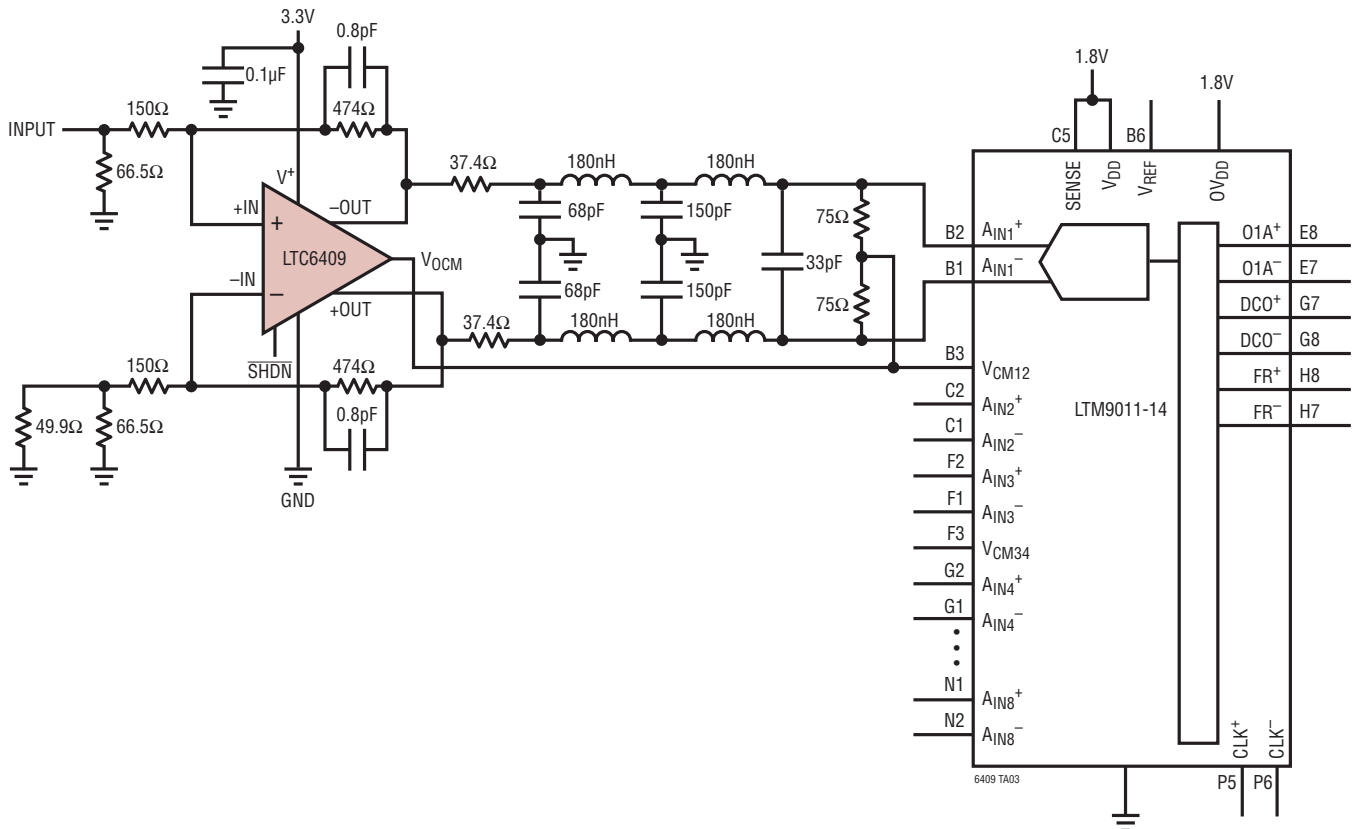
Figure 13. Demo Board DC1591A Layout

# TYPICAL APPLICATIONS

DC-Coupled Level Shifting of an I/Q Demodulator Output



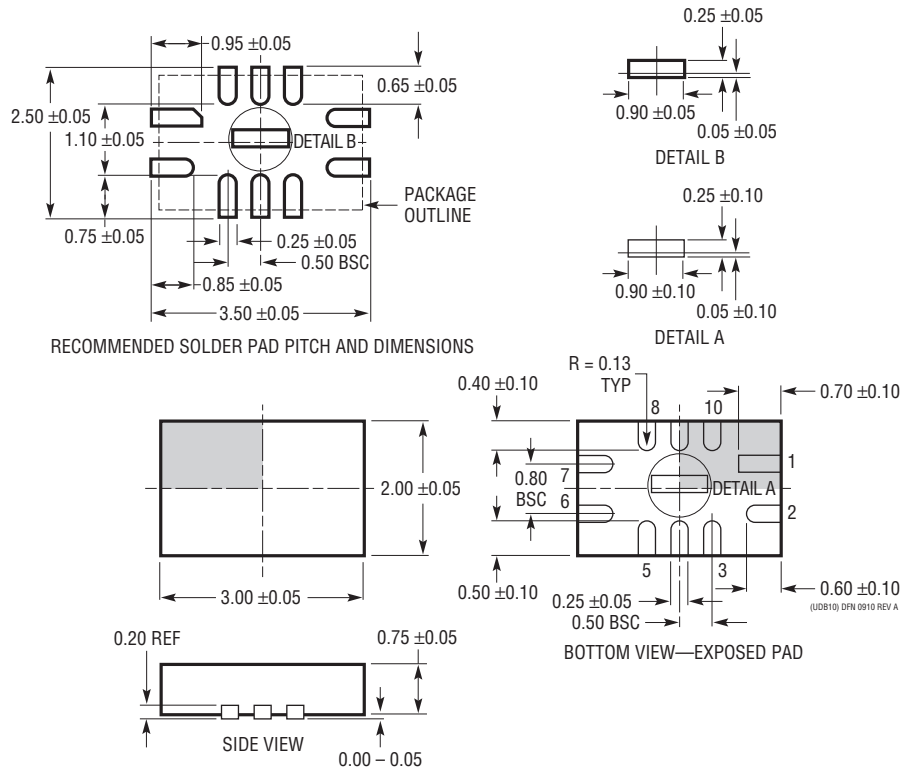
Single-Ended to Differential Conversion Using LTC6409 and 50MHz Lowpass Filter (Only One Channel Shown)



# PACKAGE DESCRIPTION

Please refer to <http://www.linear.com/product/LTC6409#packaging> for the most recent package drawings.

**UDB Package**  
**10-Lead Plastic QFN (3mm × 2mm)**  
 (Reference LTC DWG # 05-08-1848 Rev A)



- NOTE:
1. DRAWING IS NOT A JEDEC PACKAGE OUTLINE
  2. DRAWING NOT TO SCALE
  3. ALL DIMENSIONS ARE IN MILLIMETERS
  4. DIMENSIONS OF EXPOSED PAD ON BOTTOM OF PACKAGE DO NOT INCLUDE MOLD FLASH. MOLD FLASH, IF PRESENT, SHALL NOT EXCEED 0.15mm ON ANY SIDE
  5. EXPOSED PAD SHALL BE SOLDER PLATED
  6. SHADED AREA IS ONLY A REFERENCE FOR PIN 1 LOCATION ON THE TOP AND BOTTOM OF PACKAGE

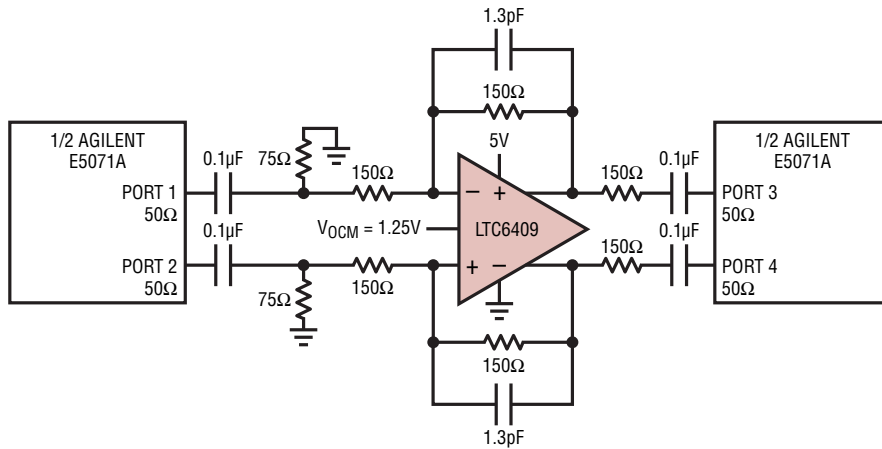
---

## REVISION HISTORY

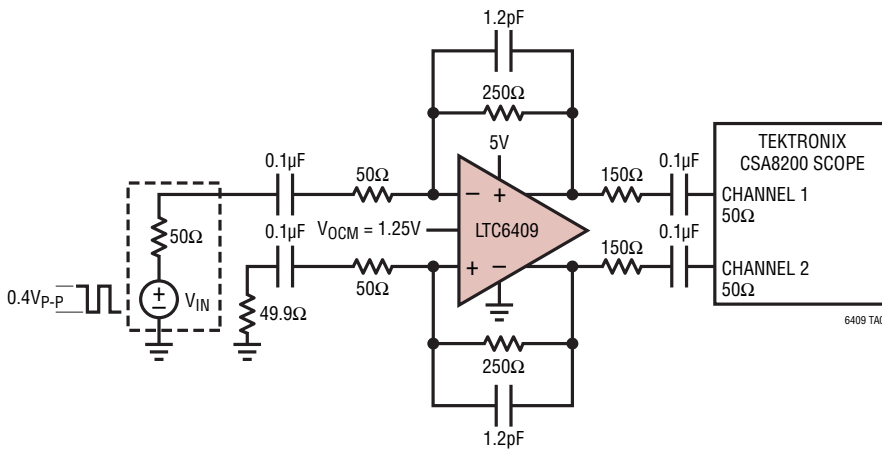
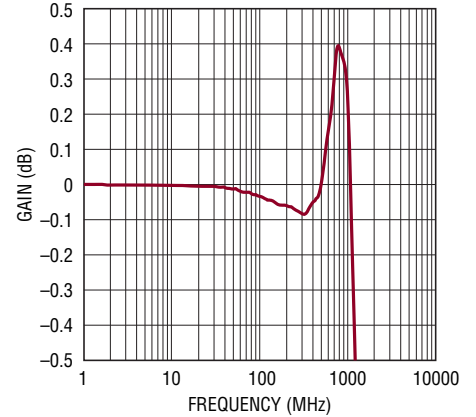
REV	DATE	DESCRIPTION	PAGE NUMBER
A	12/10	Revised Typical Application drawing	21
B	05/17	Corrected spelling of “reflectometry”	1

## TYPICAL APPLICATIONS

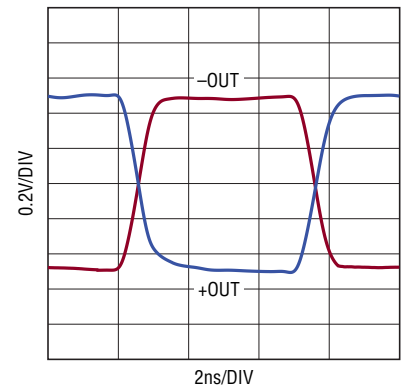
### LTC6409 Externally Compensated for Maximum Gain Flatness and for No-Overshoot Time-Domain Response



Gain 0.1dB Flatness



No-Overshoot Step Response



## RELATED PARTS

PART NUMBER	DESCRIPTION	COMMENTS
<a href="#">LTC6400-8/LTC6400-14/LTC6400-20/LTC6400-26</a>	1.8GHz Low Noise, Low Distortion, Differential ADC Drivers	-71dBc IM3 at 240MHz 2V <sub>p-p</sub> Composite, I <sub>S</sub> = 90mA, A <sub>V</sub> = 8dB/14dB/20dB/26dB
<a href="#">LTC6401-8/LTC6401-14/LTC6401-20/LTC6401-26</a>	1.3GHz Low Noise, Low Distortion, Differential ADC Drivers	-74dBc IM3 at 140MHz 2V <sub>p-p</sub> Composite, I <sub>S</sub> = 50mA, A <sub>V</sub> = 8dB/14dB/20dB/26dB
<a href="#">LTC6406/LTC6405</a>	3GHz/2.7GHz Low Noise, Rail-to-Rail Input Differential Amplifier/Driver	-70dBc/-65dBc Distortion at 50MHz, I <sub>S</sub> = 18mA, 1.6nV/√Hz Noise, 3V/5V Supply
<a href="#">LTC6416</a>	2GHz Low Noise, Differential 16-Bit ADC Buffer	-72.5dBc IM3 at 300MHz 2V <sub>p-p</sub> Composite, 150mW on 3.6V Supply
<a href="#">LTC2209</a>	16-Bit, 160Msps ADC	100dB SFDR, V <sub>DD</sub> = 3.3V, V <sub>CM</sub> = 1.25V
<a href="#">LTC2262-14</a>	14-Bit, 150Msps Ultralow Power 1.8V ADC	88dB SFDR, 149mW, V <sub>DD</sub> = 1.8V, V <sub>CM</sub> = 0.9V