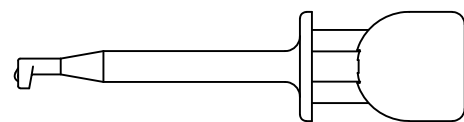
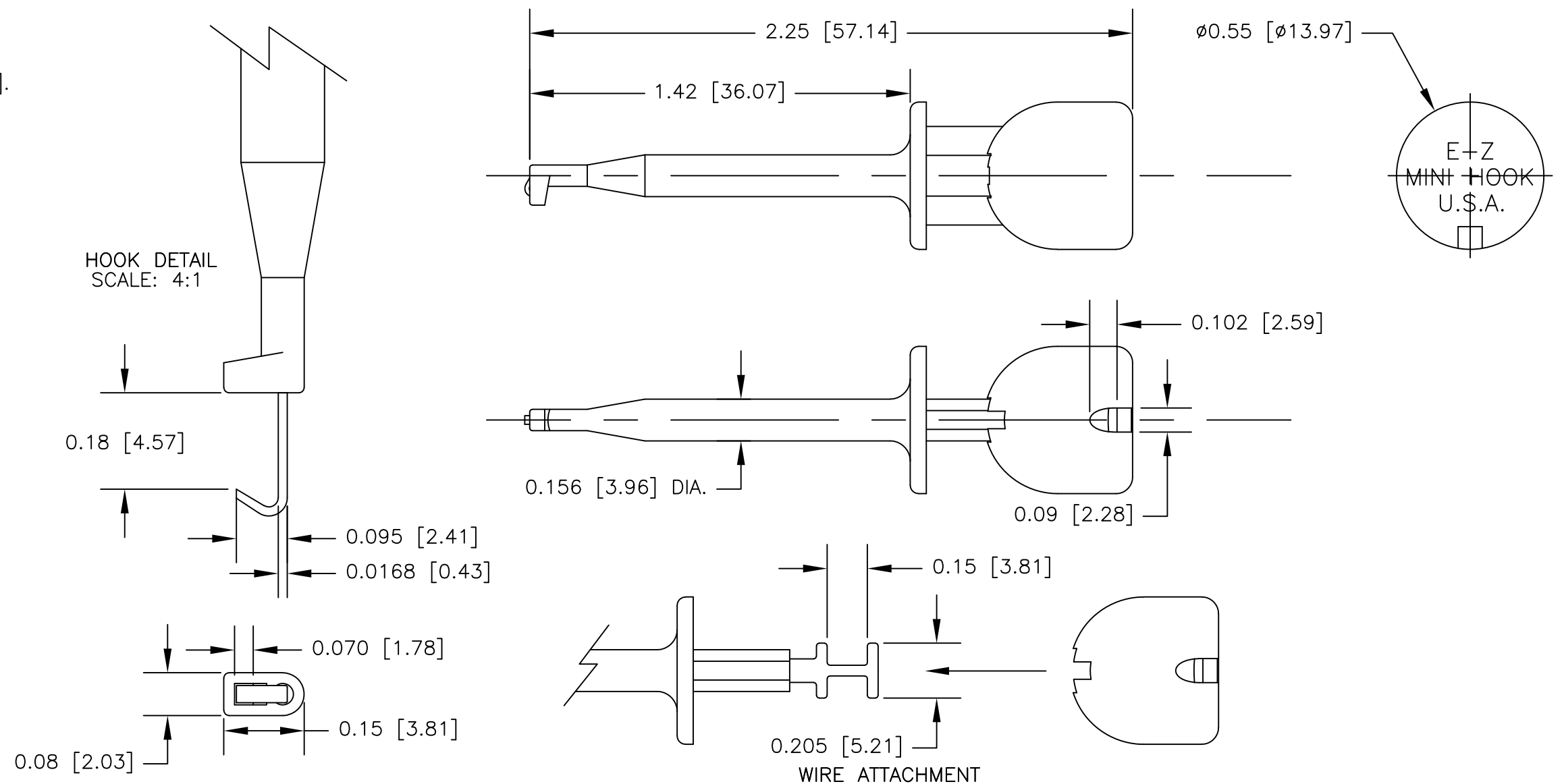


NOTES: UNLESS OTHERWISE SPECIFIED

- CONSTRUCTION:
HOUSING & PLUNGER: NYLON. AVAILABLE IN 10 COLORS
CONTACT BLADE: GOLD PLATED BeCu
SPRING: STAINLESS STEEL
- PERFORMANCE:
MAXIMUM CURRENT: 5.9 AMPS WITH A 77°F TEMPERATURE RISE.
MAXIMUM VOLTAGE: 5.4 kV
MAXIMUM TEMPERATURE: 200°F (93°C)
- FEATURES:
HOOK FITS COMPONENTS UP TO $\phi 0.040$ [$\phi 1.01$].
FIELD SERVICEABLE.

LTR	REVISIONS		DATE	APPROVED
	DESCRIPTION			



ACTUAL SIZE

UNLESS OTHERWISE SPECIFIED DIMENSIONS ARE IN INCHES TOLERANCES ARE: FRACTIONS DECIMALS ANGLES ± .XX ± ± .XXX ±		CONTRACT NO.		E-Z-HOOK DIVISION OF TEKTEST INC. ARCADIA, CA 91006 U.S.A.	
MATERIAL SEE NOTE.		APPROVALS DRAWN R.L.	DATE 6/09		
FINISH SEE NOTE.		APPROVED BY		DESCRIPTION E-Z-MINI-HOOK TEST CONNECTOR	
NEXT ASSY	USED ON			SIZE B	CODE IDENT NO. 08505
APPLICATION		DO NOT SCALE DRAWING		DRAWING NO. X100W	REV.
				SCALE 2:1	SHEET 1 OF 1