

RoHS Compliant



16.9 x 14.5 x 19.5 mm

Features

- Low coil power consumption
- Switching current up to 20A with small size and light weight
- Suitable for household appliances, automotive applications



Contact Data*

Contact Arrangement	1A & 1U = SPST N.O. 1C & 1W = SPDT	Contact Resistance	< 30 milliohms initial
Contact Rating	1A & 1C = 10A @ 120VAC, 28VDC & 20A @ 14VDC 1U & 1W = 2x10A @ 120VAC, 28VDC = 2x20A @ 14VDC	Contact Material	AgSnO ₂
		Max Switching Power	1A & 1C : 280W 1U & 1W : 2x280W
		Max Switching Voltage	380VAC, 75VDC
		Max Switching Current	20A

Coil Data*

Coil Voltage VDC		Coil Resistance Ω +/- 10%	Pick Up Voltage VDC (max) 70% of rated voltage	Release Voltage VDC (min) 10% of rated voltage	Coil Power W	Operate Time ms	Release Time ms
Rated	Max						
12	15.6	145	8.4	1.2	1.0	15	5
24	31.2	576	16.8	2.4			

General Data*

Electrical Life @ rated load	100K cycles, average
Mechanical Life	10M cycles, average
Insulation Resistance	100M Ω min. @ 500VDC initial
Dielectric Strength, Coil to Contact	1500V rms min. @ sea level initial
Contact to Contact	750V rms min. @ sea level initial
Shock Resistance	100m/s ² for 11 ms
Vibration Resistance	1.27mm double amplitude 10~40Hz
Terminal (Copper Alloy) Strength	10N
Operating Temperature	-40°C to +85°C
Storage Temperature	-40°C to +155°C
Solderability	260°C for 5 s
Weight	12g & 24g

* Values can change due to the switching frequency, desired reliability levels, environmental conditions and in-rush load levels. It is recommended to test actual load conditions for the application. It is the user's responsibility to determine the performance suitability for their specific application. The use of any coil voltage less than the rated coil voltage may compromise the operation of the relay.

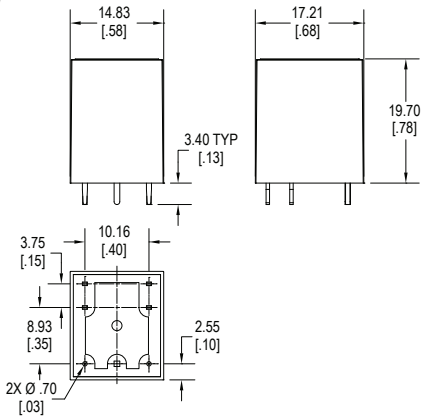


Ordering Information

1. Series	A4	1C	S	12VDC
A4				
2. Contact Arrangement				
1A = SPST N.O.				
1C = SPDT				
1U = SPST N.O.				
1W = SPDT				
3. Sealing Option				
S = Sealed				
C = Dust cover				
4. Coil Voltage				
12VDC				
24VDC				

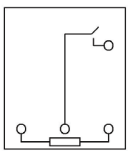
Dimensions

Units = mm

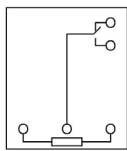


Schematics & PC Layouts

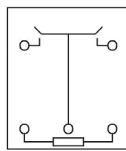
Bottom Views



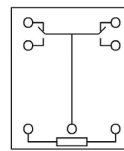
1A



1C



1U



1W

