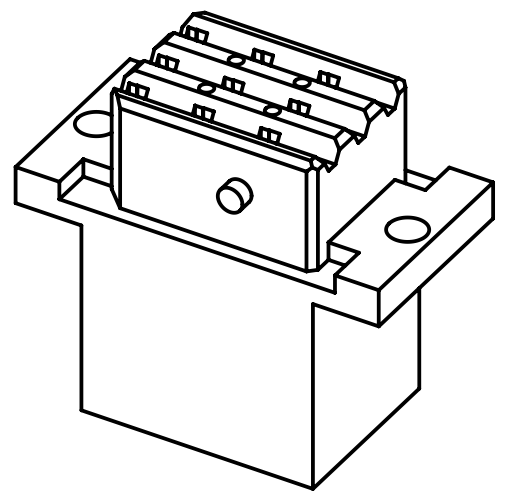


Reihe
row

- |
- d
- b
- z



	All Dimensions in mm Original Size DIN A4		Scale 2:1	Free size tol. complementary IEC 60603-2		Ref. Sub. TB 09062093201 Mod. 36200 v. 16.12.10		
	All rights reserved Department EC PD - DE		Created by SCHRAMMEF	Inspected by DAHMS	Standardisation HOFFMANN	Date 2013-06-12	State Final Release	
HARTING Electronics GmbH D-32339 Espelkamp			Title DIN Power type F9 female crimp				Doc-Key / ECM-Nr. 100123117/UGD/003/B 500000062976	
			Type TB	Number 09062093201			Rev. B	Page 1/1