

Zone5™ Ceiling and Wall Mount Occupancy Sensors

DAYLIGHT HARVESTING CONTROLS

TITLE
24
COMPLIANCE



LISTED

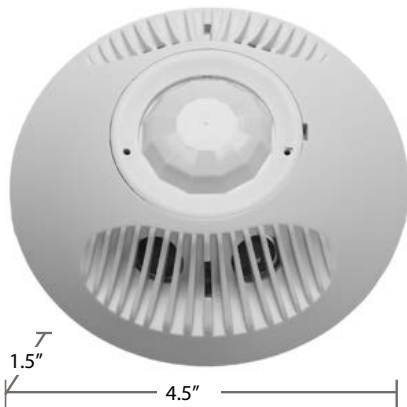


PROJECT INFORMATION

Project Name _____

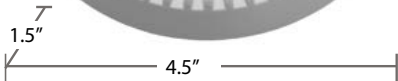
Catalog No. _____

Date _____



PIR
Sensor

Ultrasonic
Sensors



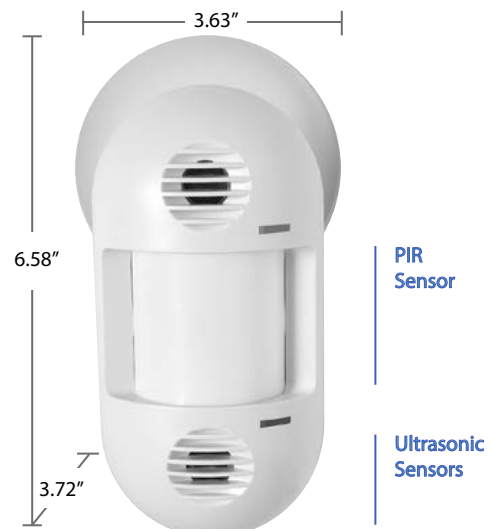
Z5-OS-OMDT2000RP

The *Zone5* Ceiling Mount and Wall Mount Occupancy Sensors combine ultrasonic (US) and passive infrared (PIR) technologies to turn lighting on and off based on occupancy. This dual technology provides accurate turn-ons while virtually eliminating false-offs.

These sensors feature Hubbell Controls' patented IntelliDAPT® technology, which makes all the sensor adjustments automatically. Throughout the product's lifespan, *IntelliDAPT* software analyzes the controlled area and makes digital adjustments to sensitivity and timer settings. Occupancy sensors with *IntelliDAPT* technology provide a maintenance-free install-and-forget operation.

PRODUCT FEATURES

- Occupancy Sensors for Zone5 Daylight Harvesting System
- *IntelliDAPT* self-adaptive technology – no manual adjustment required
- All-digital dual technology (ultrasonic [US] and passive infrared [PIR]) sensors
- Non-volatile memory for sensor settings
- 1,600 and 2,000 square-foot coverage area
- Form C relay with N/O + N/C outputs
- Color coded, plug and play installation
- UL and cUL listed
- Five-year limited warranty
- Low voltage device: 24 Vdc



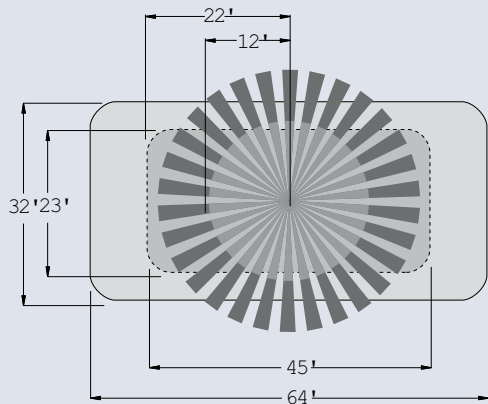
PIR
Sensor

Ultrasonic
Sensors

Z5-OS-LODTRP

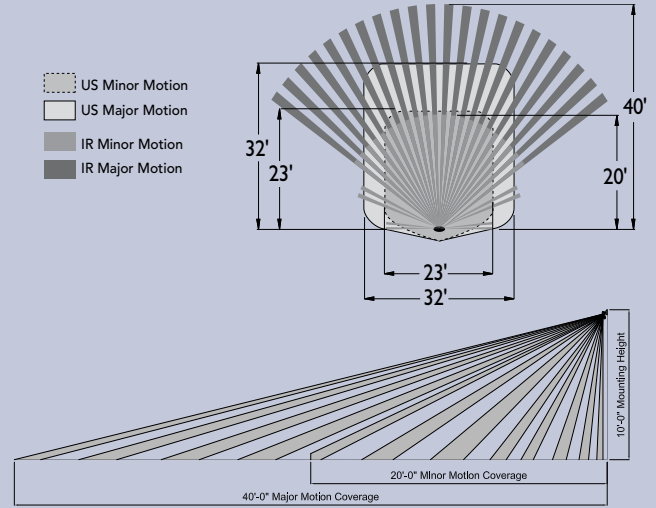


HUBBELL
Control Solutions



US Minor Motion IR Minor Motion
 US Major Motion IR Major Motion

Z5-OS-OMNIDT2000RP Range Diagram



Z5-OS-LODTRP Range Diagrams

General Specifications

IntelliDAPT® Technology	Auto reset from test setting Self-adjusting timer Self-adjusting ultrasonic and passive infrared thresholds Automatic false-on/ false-off corrections
LED lamp	Red – infrared motion Green – ultrasonic motion
Timer timeout	Automatic mode: 8 – 30 min. (self adjusts based on occupancy) Test mode: 8 seconds (for an easy check at installation)
Ultrasonic (US) output	Operating frequency: 32 kHz
Passive infrared (PIR)	Dual-element pyrometer and 12-element cylindrical rugged lens
Form C relay	Relay: N/O + N/C contacts; SPDT; 500 mA rated @ 24VDC; three-wire isolated relay
Coverage	Ceiling mount sensor: 2,000 square feet Wall mount sensor: 1,600 square feet
Power Requirements	24VDC, 33mA Power and 24VDC active high-logic output control signal provided through plenum rated
CAT5 plug-and-play cable (ordered separately)	
Operating environment	Indoor use only Operating temperature: 32° to 104°F (0° to 40°C) Relative humidity (non-condensing): 0% to 5%
Construction	Casing – rugged, high-impact, injection-molded plastic KJB ABS Cyclocac (UV-945VA) flame class rating, UV inhibitors
OMDT2000RP Dimensions	4.5" diameter, 1.5" height (114 mm diameter, 38mm height)
Weight	5.0 oz (142g)
LODTRP Dimensions	6.58" x 3.63" x 3.72"
Weight	5.0 oz (142g)
Color	Off-white
Mounting	Mounting base provided Recommended mounting height: 8ft with a max mounting height of 12ft.
Certifications	UL and cUL listed
Warranty	Five-year limited

Ordering Information

MODEL

Z5-OS-OMDT2000RP	Zone5 Occupancy Sensor, Ceiling Mount, PIR and Ultrasonic, Form C Relay, 2000 Sq. Ft.
Z5-OS-LODTRP	Zone5 Occupancy Sensor, Wall Mount, PIR and Ultrasonic, Form C Relay, 1600 Sq. Ft. <i>CAT5 Cable Sold Separately</i>



HUBBELL
Control Solutions