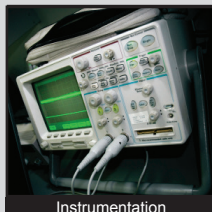
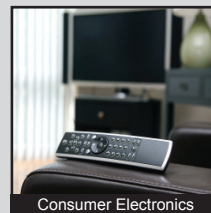
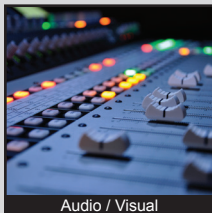


# TL3265 SERIES TACT SWITCH

ANTI-VANDAL SWITCHES  
 DETECTOR SWITCHES  
 DIP SWITCHES  
 KEYLOCK SWITCHES  
 NAVIGATION SWITCHES  
 PUSHBUTTON SWITCHES  
 ROCKER SWITCHES  
 ROTARY SWITCHES  
 SLIDE SWITCHES  
 SNAP ACTION SWITCHES  
 TACTILE SWITCHES  
 TOGGLE SWITCHES  
 CAP OPTIONS



## APPLICATIONS / MARKETS



**RoHS**

## SPECIFICATIONS

**Electrical Rating:** 50mA @ 12VDC  
**Life Expectancy:** 500,000 Cycles  
**Contact Resistance:** 100mΩ Max.  
**Insulation Resistance:** 100MΩ Min. at 500VDC  
**Dielectric Strength:** 500VAC for 1 min.  
**Operating Temperature:** -40°C to 85°C  
**Operating Force:** 160 gf  
**Travel:** 0.20mm  
**Function:** SPST, Off-(On), Momentary

## FEATURES & BENEFITS

- 500,000 cycle life expectancy
- Multiple cap options
- Surface mount design
- Illumination options

## PART NUMBER CONFIGURATOR

Series	Model	LED Option	Contact Material	Cap Option	Cap Color
<input type="text" value="TL"/>	<input type="text" value="3265"/>	<input type="text" value=""/>	<input type="text" value="Q"/>	<input type="text" value=""/>	<input type="text" value=""/>
		B - Blue R - Red G - Green Y - Yellow W - White RG - Red/Green Bi-Color	Q - Silver	S - 5mm Diameter, Round T - 4.7mm Diameter, Round N - No Cap	* CLR - Clear N - No Cap



*\*All caps are shipped bulk*

*Specifications subject to change without notice 4.23.2018*



**E-SWITCH®**

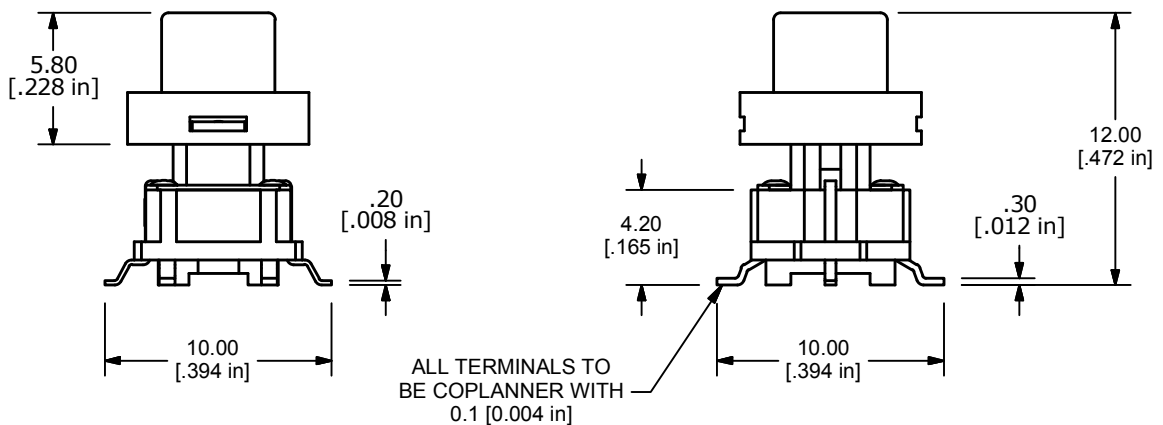
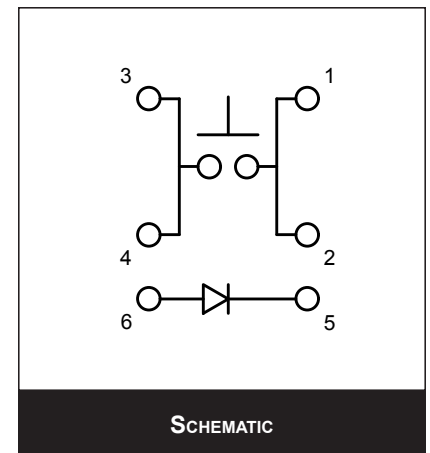
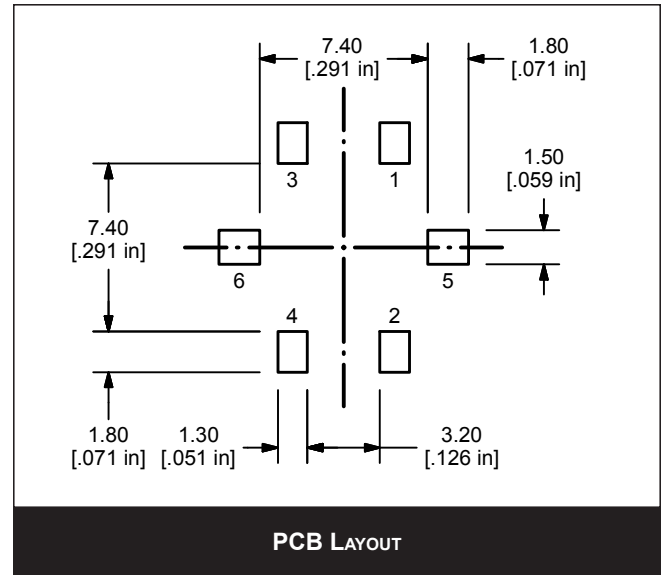
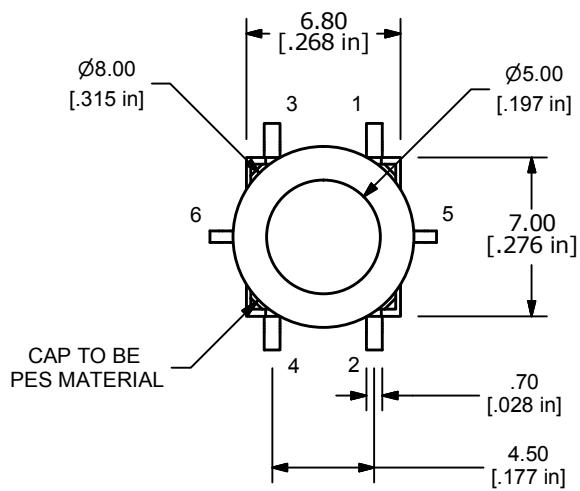
www.e-switch.com

800.867.2717

1

# TL3265 SERIES TACT SWITCH

## BODY DIMENSIONS/ CAP OPTION



S - CAP OPTION

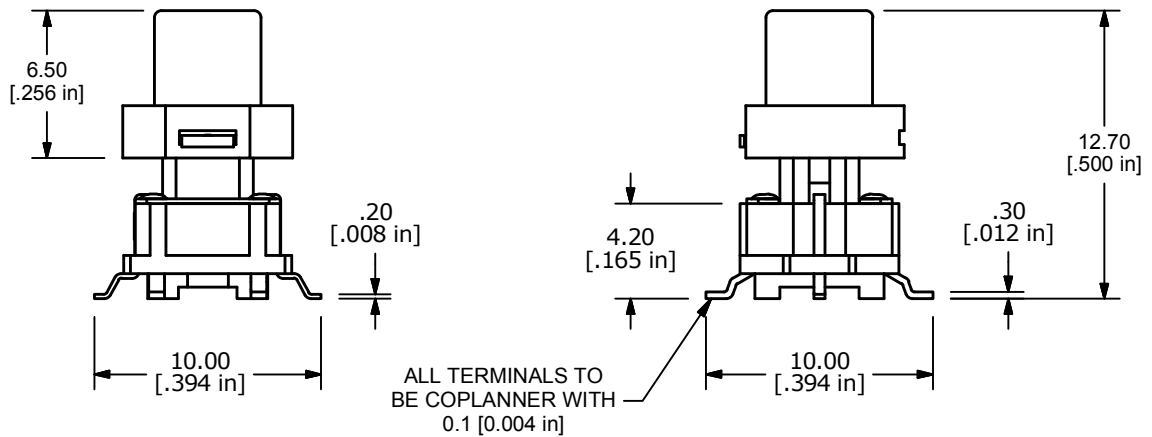
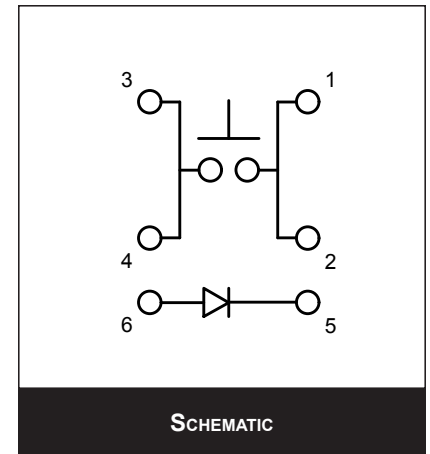
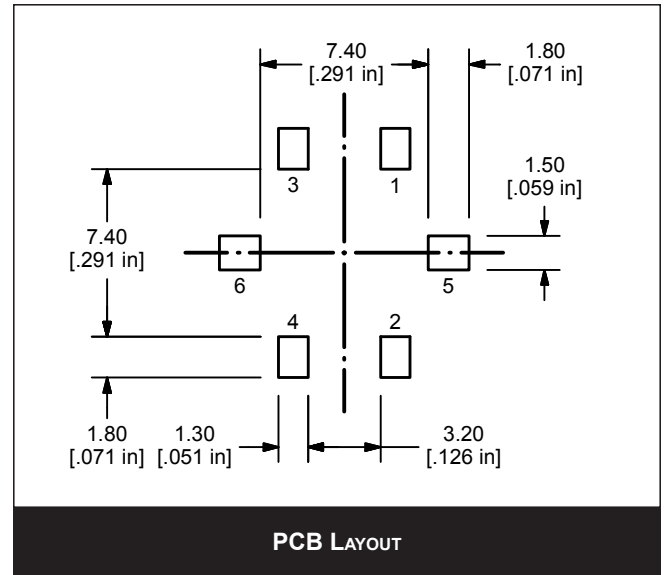
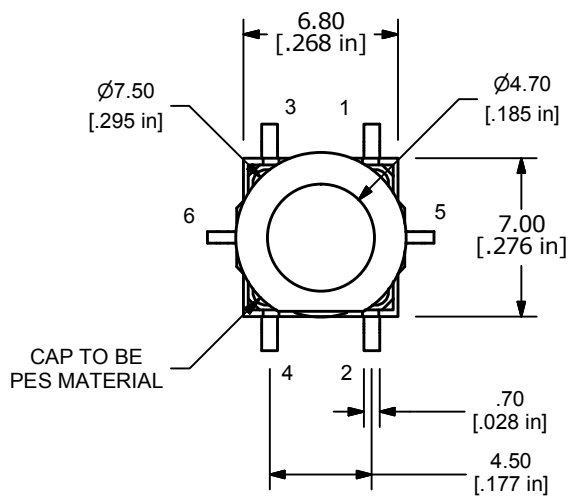


- ANTI-VANDAL SWITCHES
- DETECTOR SWITCHES
- DIP SWITCHES
- KEYLOCK SWITCHES
- NAVIGATION SWITCHES
- PUSHBUTTON SWITCHES
- ROCKER SWITCHES
- ROTARY SWITCHES
- SLIDE SWITCHES
- SNAP ACTION SWITCHES
- TACTILE SWITCHES
- TOGGLE SWITCHES
- CAP OPTIONS

# TL3265 SERIES TACT SWITCH

## BODY DIMENSIONS/ CAP OPTION

- ANTI-VANDAL SWITCHES
- DETECTOR SWITCHES
- DIP SWITCHES
- KEYLOCK SWITCHES
- NAVIGATION SWITCHES
- PUSHBUTTON SWITCHES
- ROCKER SWITCHES
- ROTARY SWITCHES
- SLIDE SWITCHES
- SNAP ACTION SWITCHES
- TACTILE SWITCHES**
- TOGGLE SWITCHES
- CAP OPTIONS

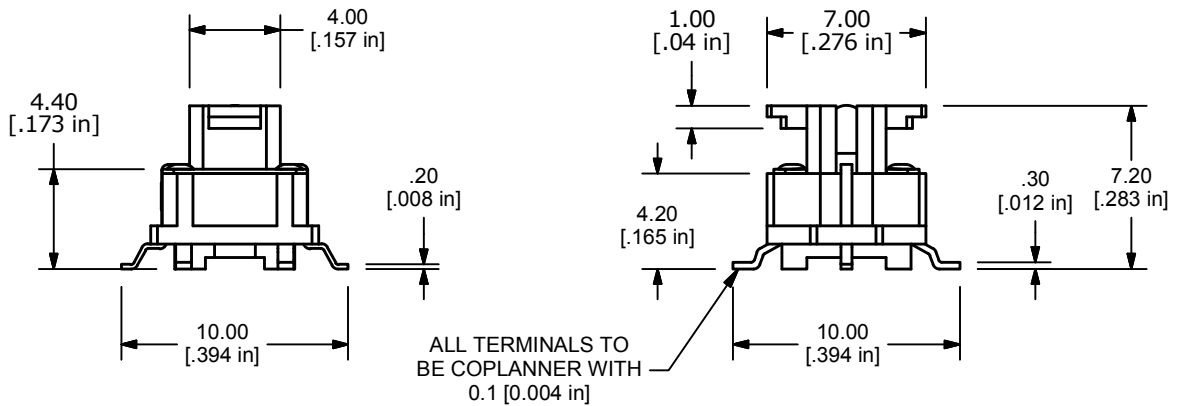
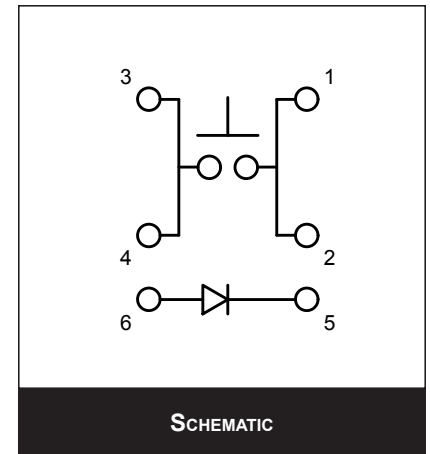
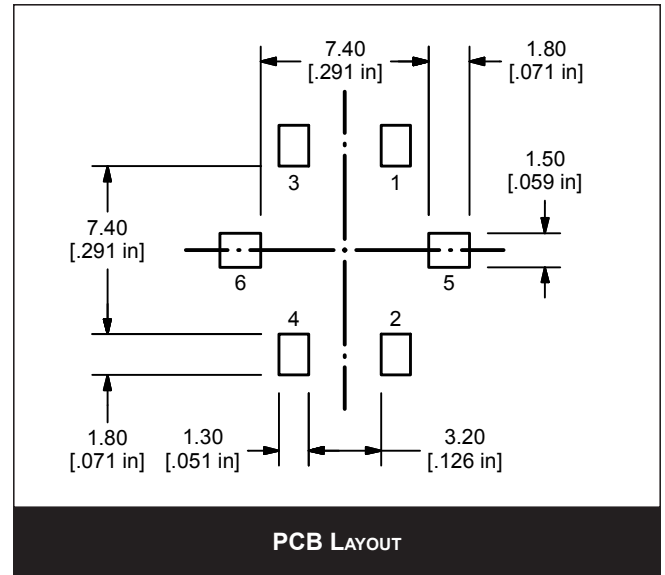
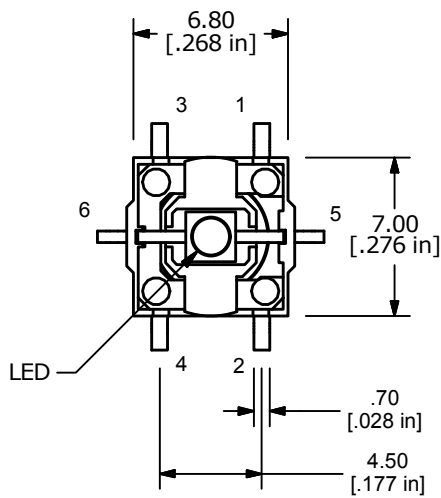


T - CAP OPTION



# TL3265 SERIES TACT SWITCH

## BODY DIMENSIONS/ CAP OPTION



N - CAP OPTION

- ANTI-VANDAL SWITCHES
- DETECTOR SWITCHES
- DIP SWITCHES
- KEYLOCK SWITCHES
- NAVIGATION SWITCHES
- PUSHBUTTON SWITCHES
- ROCKER SWITCHES
- ROTARY SWITCHES
- SLIDE SWITCHES
- SNAP ACTION SWITCHES
- TACTILE SWITCHES**
- TOGGLE SWITCHES
- CAP OPTIONS

